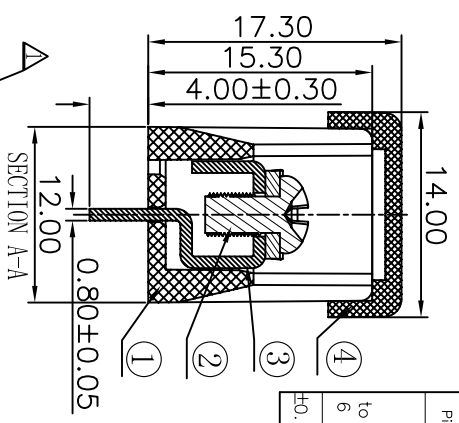
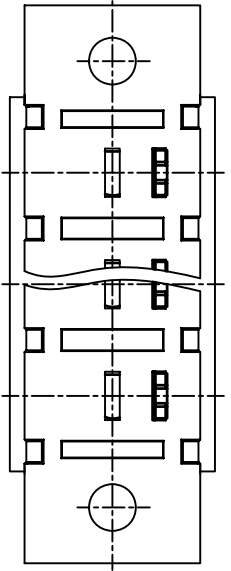
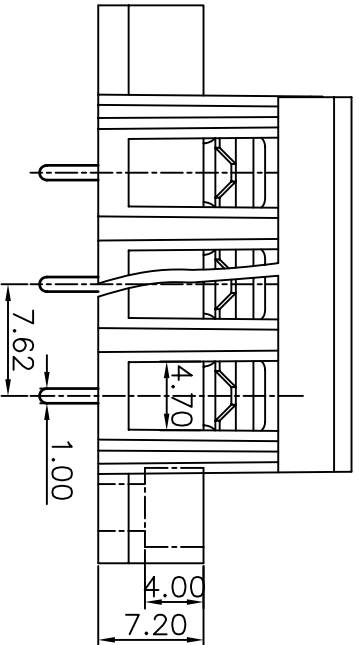
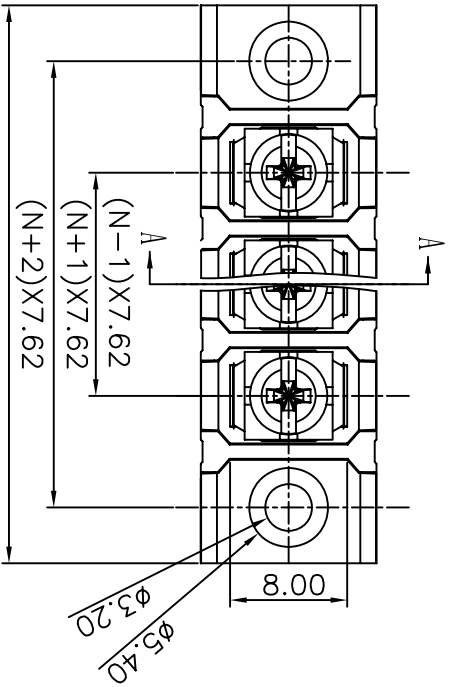


REVISION RECORD			
REV/ECO	DESCRIPTION	DRFT	DATE
△	增加U刻字	CSX	03/21/07
△	品名、料号增加环保标识“(H)”	YeJ	12/08/07

- Notes:
1. Pitch:7.62mm , Poles:2~24P
  2. Rated current:15A
  3. Rated voltage:300V
  4. Operation temperatures:-40° C~+105° C
  5. Insulation Withstand Voltage:AC2000V/Min
  6. Insulation Resistance:500M Ω /DC500V
  7. Wire Range:22~14AWG
  8. Max. Torque Value:5. 1kgf. cm
  9. Undimensioned Tolerances:



Pitch range in mm	Nominal dimension range in mm			
over 6	over 10	over 30	over 60	over 100
to 10	to 24	to 30	to 60	to 150
±0.10	±0.15	±0.25	±0.2±0.3	±0.5±0.7±1.0
0.05/10				

4	DG28-Cover	5006C07XXA (H)	1	PC	
3	DG28C Pin header	5006B00010 (H)	XX	Brass	SnCe plated
2	M3*6 (6*6) bright Screws	S000000450 (H)	XX	Steel	Ni plated

1	ITEM	DG28-A-本体	5006M01YXXA (H)	1	PA66+23%GF	UL94V-0																
NAME OF PART		NO. OF PART		Q"TY	MATERIAL	NOTES																
<table border="1"> <tr> <th colspan="2">DETACHED LISTS</th> </tr> <tr> <td>MM (INCH)</td> <td>DATE 03/13/06</td> </tr> <tr> <td>TOLERANCES EXCEPT AS NOTED</td> <td>DATE</td> </tr> <tr> <td>0 ± .005</td> <td>DATE</td> </tr> <tr> <td>0.00 ± .000</td> <td>DATE</td> </tr> <tr> <td>ANGLES ± 1°</td> <td>DATE</td> </tr> <tr> <td>THIRD ANGLE PROJECTION</td> <td>DATE</td> </tr> <tr> <td>SCALE : 1:1</td> <td>DATE</td> </tr> </table>							DETACHED LISTS		MM (INCH)	DATE 03/13/06	TOLERANCES EXCEPT AS NOTED	DATE	0 ± .005	DATE	0.00 ± .000	DATE	ANGLES ± 1°	DATE	THIRD ANGLE PROJECTION	DATE	SCALE : 1:1	DATE
DETACHED LISTS																						
MM (INCH)	DATE 03/13/06																					
TOLERANCES EXCEPT AS NOTED	DATE																					
0 ± .005	DATE																					
0.00 ± .000	DATE																					
ANGLES ± 1°	DATE																					
THIRD ANGLE PROJECTION	DATE																					
SCALE : 1:1	DATE																					
DRAWING NO. DG28C-E01		DRAWING NO. DG28C-E01		SIZE A3		REV 12/06/07																
DO NOT SCALE DRAWING		SHEET 1		OF 1																		

DEGSON 宁波高正电子有限公司  
DEGSON ELECTRONICS CO., LTD.

NAME DG28C-A-XXP-1Y-00A (H)

8 7 6 5 4 3 2 1