



ON Semiconductor®

<http://onsemi.com>

# LV8711T

Bi-CMOS LSI

## PWM Constant-Current Control Stepping Motor Driver

### Overview

The LV8711T is a PWM constant-current control stepping motor driver.

### Features

- Two circuits of PWM constant-current control H-bridge drivers incorporated
- Control of the stepping motor to 1-2 phase excitations possible
- Reference voltage output: 1.0V
- Short circuit protection circuit incorporated
- Abnormal condition warning output pin incorporated
- Upper and lower regenerative diodes incorporated
- Thermal shutdown circuit incorporated

### Specifications

#### Absolute Maximum Ratings at $T_a = 25^\circ\text{C}$

Parameter	Symbol	Conditions	Ratings	Unit
Motor supply voltage	$V_M$ max		18	V
Logic supply voltage	$V_{CC}$ max		6	V
Logic input voltage	$V_{IN}$		6	V
Output peak current	$I_O$ peak	Per ch, $t_w \leq 10\text{ms}$ , duty 20%	1.0	A
Output continuous current	$I_O$ max	Per ch	800	mA
Allowable power dissipation	$P_d$ max	*	1.45	W
Operating temperature	$T_{opr}$		-20 to +85	$^\circ\text{C}$
Storage temperature	$T_{stg}$		-55 to +150	$^\circ\text{C}$

\* Specified circuit board : 57.0mm×57.0mm×1.7mm, glass epoxy printed circuit board.

Stresses exceeding Maximum Ratings may damage the device. Maximum Ratings are stress ratings only. Functional operation above the Recommended Operating Conditions is not implied. Extended exposure to stresses above the Recommended Operating Conditions may affect device reliability.

# LV8711T

## Recommended Operating Ratings at Ta = 25°C

Parameter	Symbol	Conditions	Ratings	Unit
Motor supply voltage range	VM		4 to 16	V
Logic supply voltage range	V <sub>CC</sub>		2.7 to 5.5	V
Logic input voltage range	V <sub>IN</sub>		-0.3 to V <sub>CC</sub> +0.3	V
VREF input voltage range	VREF		0 to V <sub>CC</sub> -1.8	V

## Electrical Characteristics at Ta = 25°C, VM = 12V, V<sub>CC</sub> = 3.3, VREF = 1.0V

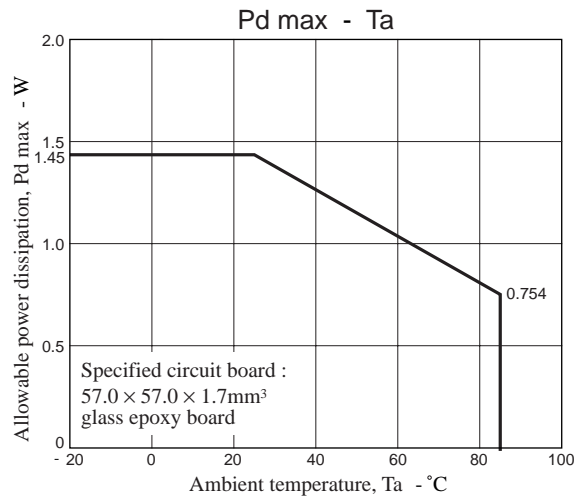
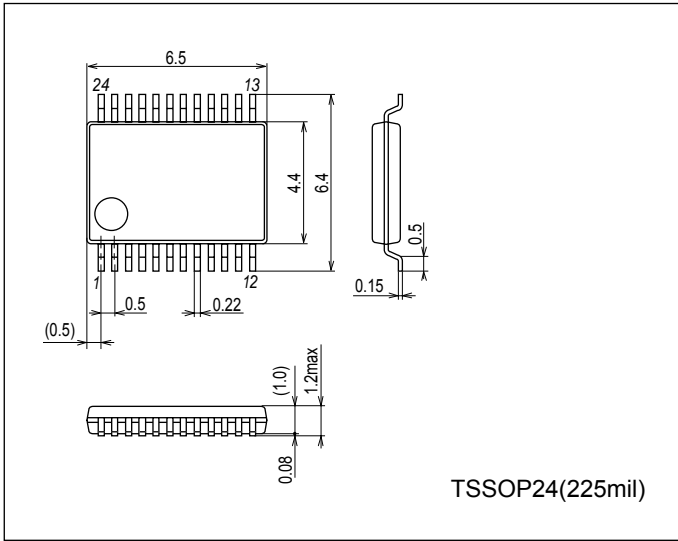
Parameter	Symbol	Conditions	Ratings			Unit
			min	typ	max	
<b>General</b>						
Standby mode current drain	IMstn	PS = "L", no load			1	μA
	I <sub>CC</sub> stn	PS = "L", no load			1	μA
Current drain	IM	PS = "H", no load		1.0	1.5	mA
	I <sub>CC</sub>	PS = "H", no load		1.7	3.0	mA
Thermal shutdown temperature	TSD	Design guarantee	150	180		°C
Thermal hysteresis width	ΔTSD	Design guarantee		40		°C
V <sub>CC</sub> low voltage cutting voltage	V <sub>th</sub> V <sub>CC</sub>		2.1	2.4	2.7	V
Low voltage hysteresis voltage	V <sub>th</sub> HYS		100	130	160	mV
<b>Reference voltage</b>						
REG5 output voltage	VREG5		4.5	5	5.5	V
<b>Output</b>						
Output on resistance	R <sub>onU</sub>	I <sub>O</sub> = -800mA, Source-side		0.78	1.0	Ω
	R <sub>onD</sub>	I <sub>O</sub> = 800mA, Sink-side		0.32	0.43	Ω
Output leakage current	I <sub>O</sub> leak	V <sub>O</sub> = 15V			10	μA
Diode forward voltage	VD	ID = -800mA		1.0	1.2	V
<b>Logic input</b>						
Logic pin input current	I <sub>INL</sub>	V <sub>IN</sub> = 0.8V	4	8	12	μA
	I <sub>INH</sub>	V <sub>IN</sub> = 3.3V	22	33	45	μA
Logic high-level input voltage	V <sub>INH</sub>		2.0			V
Logic low-level input voltage	V <sub>INL</sub>				0.8	V
<b>Constant-current control</b>						
REG1 output voltage	VREG1		0.95	1.0	1.05	V
VREF input current	I <sub>REF</sub>	VREF = 1.0V	-0.5			μA
Current setting reference voltage	V <sub>tatt00</sub>	VREF = 1.0V	0.192	0.200	0.208	V
	V <sub>tatt01</sub>	VREF = 1.0V	0.152	0.160	0.168	V
	V <sub>tatt10</sub>	VREF = 1.0V	0.092	0.100	0.108	V
	V <sub>tatt11</sub>	VREF = 1.0V	0.032	0.040	0.048	V
Chopping frequency	F <sub>chop</sub>	C <sub>chop</sub> = 220pF	36	45	54	kHz
CHOP pin threshold voltage	V <sub>CHOPH</sub>		0.6	0.7	0.8	V
	V <sub>CHOPL</sub>		0.17	0.2	0.23	V
CHOP pin charge/discharge current	I <sub>chop</sub>		7	10	13	μA
<b>Output short-circuit protection</b>						
EMO pin saturation voltage	V <sub>sat</sub> EMO	I <sub>EMO</sub> = 1mA		250	400	mV

# LV8711T

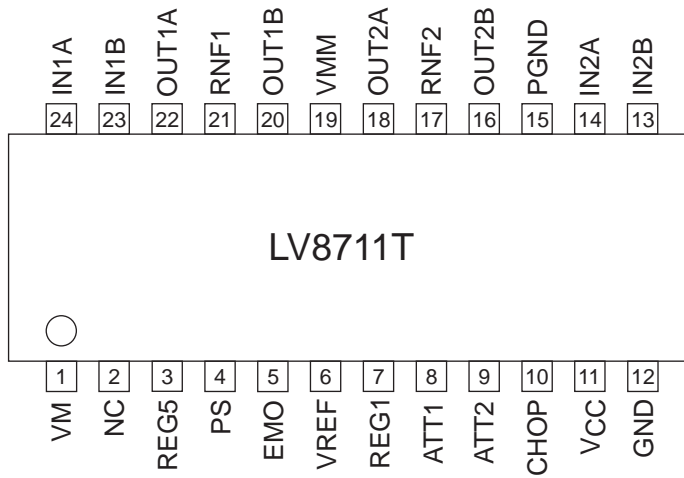
## Package Dimensions

unit : mm (typ)

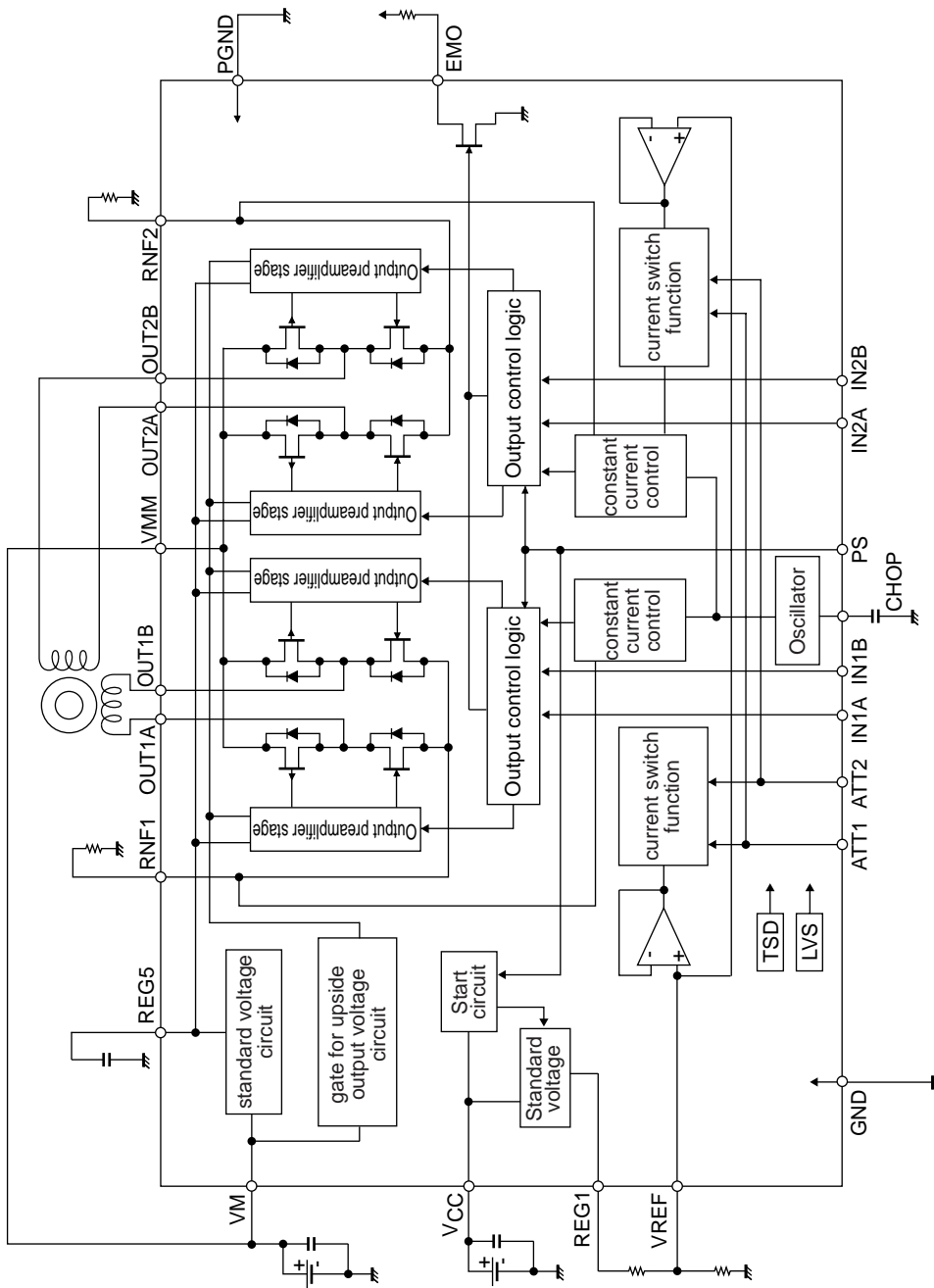
3260A



## Pin Assignment



Block Diagram



# LV8711T

## Pin Functions

Pin No.	Pin Name	Pin Function	Equivalent Circuit
8 9 13 14 23 24	ATT1 ATT2 IN2B IN2A IN1B IN1A	Energization current switching pin 1. Energization current switching pin 2. Channel 2 driver output control input pin. Channel 2 driver output control input pin. Channel 1 driver output control input pin. Channel 1 driver output control input pin.	
4	PS	Enable input pin.	
16 17 18 20 21 22	OUT2B RNF2 OUT2A OUT1B RNF1 OUT1A	Channel 2 OUTB output pin. Channel 2 current sensing resistor connection pin. Channel 2 OUTA output pin. Channel 1 OUTB output pin. Channel 1 current sensing resistor connection pin. Channel 1 OUTA output pin.	
3	REG5	Internal reference voltage output pin.	

Continued on next page.

# LV8711T

Continued from preceding page.

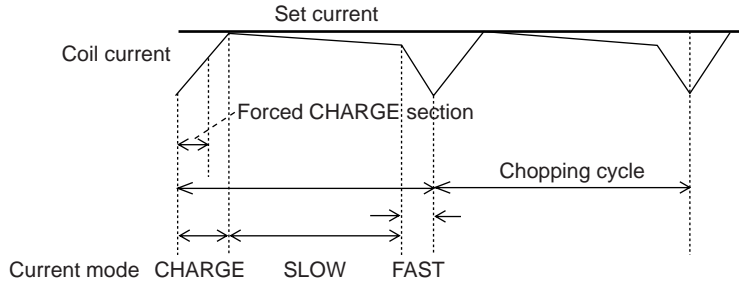
Pin No.	Pin Name	Pin Function	Equivalent Circuit
5	EMO	Abnormal condition warning output pin.	
6	VREF	Channel 1 and 2 current setting reference voltage input pin.	
7	REG1	Current setting reference voltage output pin.	
10	CHOP	Chopping frequency setting capacitor connection pin.	



**(5) Constant-current control time chart (chopping operate)**

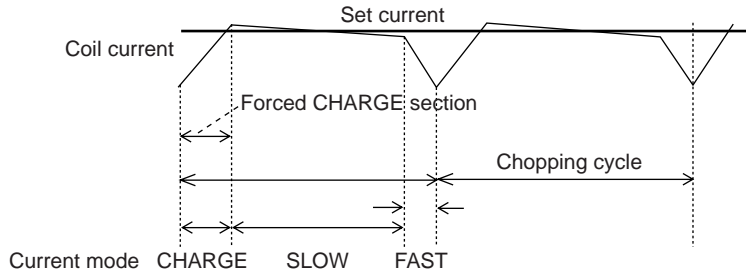
In each current mode, the operation sequence is as described below:

- At first of chopping cycle, the IC goes to CHARGE mode. (The Blanking section in which the CHARGE mode is forced regardless of the magnitudes of the coil current ( $I_{COIL}$ ) and the set current ( $I_{REF}$ ) exists for  $1\mu s$ .)
  - In Blanking section, the IC compares the coil current ( $I_{COIL}$ ) and the set current ( $I_{REF}$ ).
- If the  $I_{COIL} < I_{REF}$  state is existent in Blanking section.



Charge mode continues until  $I_{COIL} \geq I_{REF}$ . After that the IC switches to SLOW DECAY mode and then switches to FAST DECAY mode for the last about  $1\mu s$ .

If the  $I_{COIL} < I_{REF}$  state is non-existent in Blanking section.



The IC switches to SLOW DECAY after Blanking section, and then switches to FAST DECAY mode for the last about  $1\mu s$ .

The IC repeats the above operation.

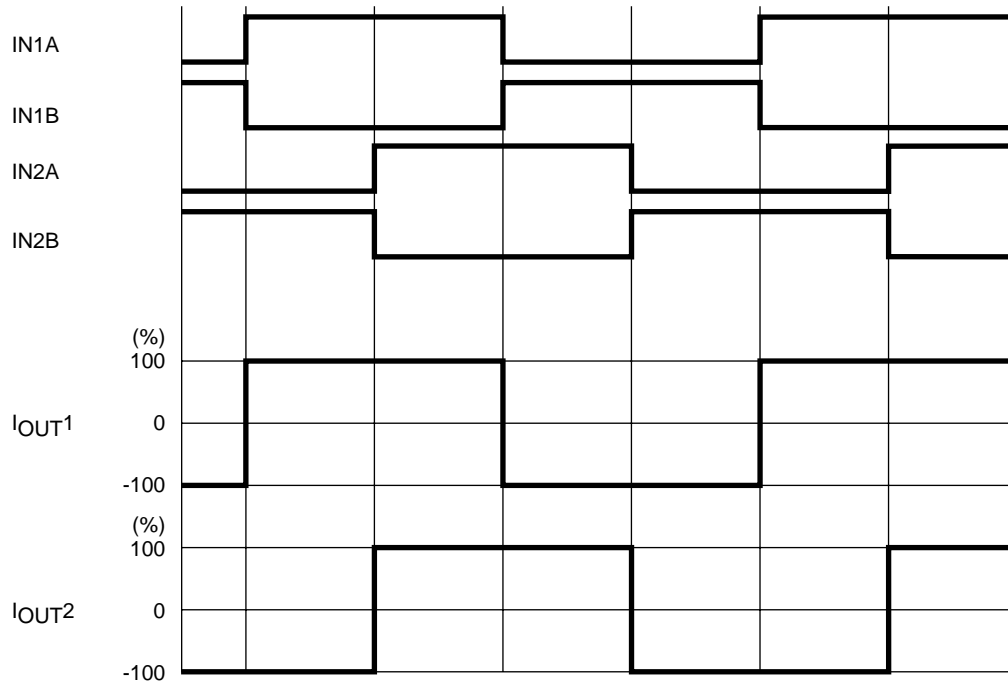


# LV8711T

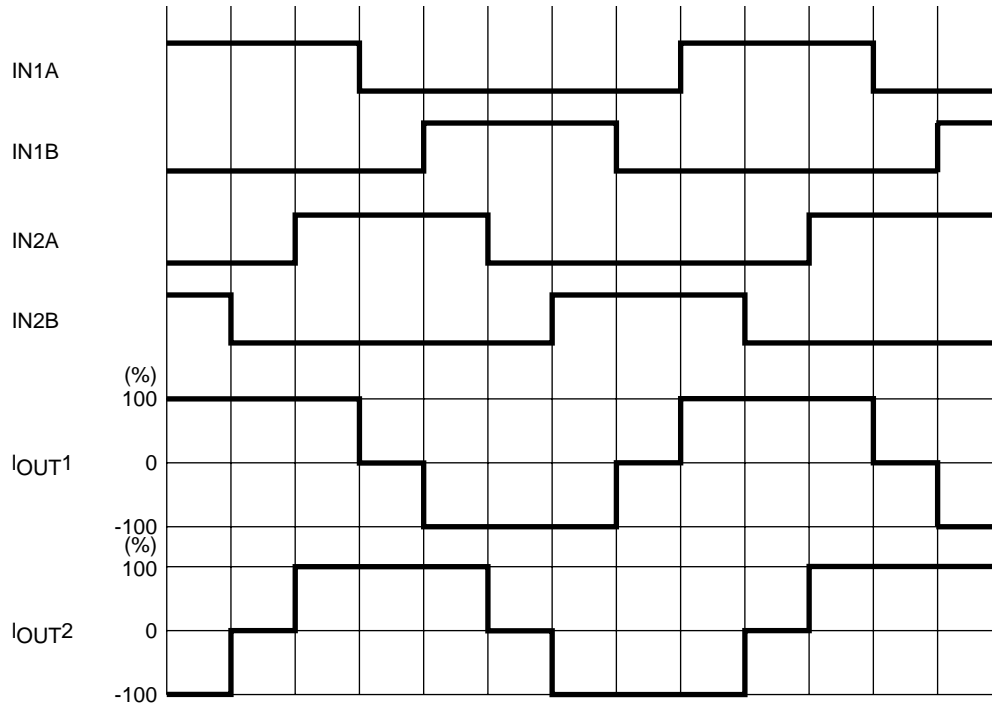
## (6) Typical current waveform in each excitation mode

### 6-1) STM Drive mode

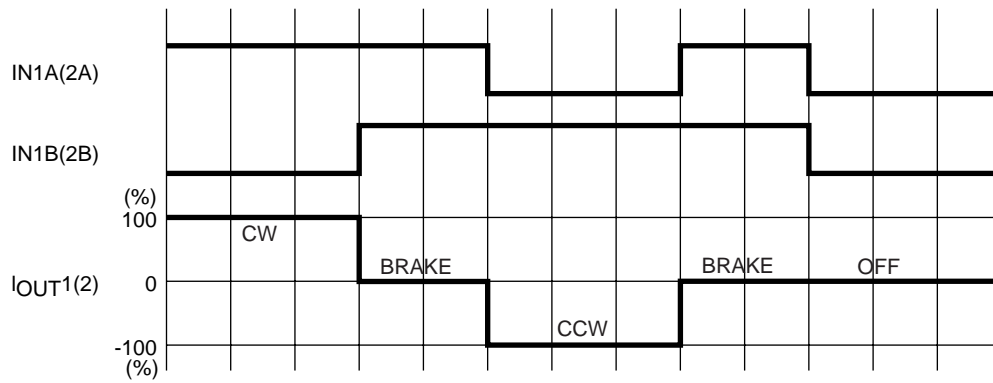
#### Two-phase excitation (CW mode)



#### 1-2 phase excitation (CW mode)



6-2) DCM Drive mode



(7) Output short-circuit protection

To protect IC from damage due to short-circuit of the output caused by lightning or ground fault, the output short-circuit protection circuit to put the output in the OFF mode is incorporated.

7-1) Protective function operation (Latch method)

When detecting the output short-circuit state, the short-circuit protection circuit is activated.

When short-circuit state is detected  $\approx 4\mu\text{s}$  (count by the internal timer), detected output is OFF at the time.

Then, when the output exceeds the timer latch time counted by the internal counter, the output is ON. Still, the short circuit state is detected, the IC switches all output to stand-by mode and keep the state.

This state is released by setting PS = Low

(8) Abnormal condition warning output pin

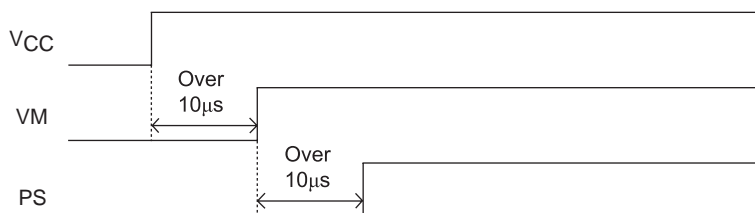
EMO, warning output pin of thermal shutdown circuit and the output short-circuit protection circuit, is an open-drain output. EMO outputs ON when output short-circuit is detected.

When detecting the output overdrive, the EMO outputs ON. If the junction temperature goes down at the time, EMO outputs OFF automatically.

(9) Recommended power-on sequence

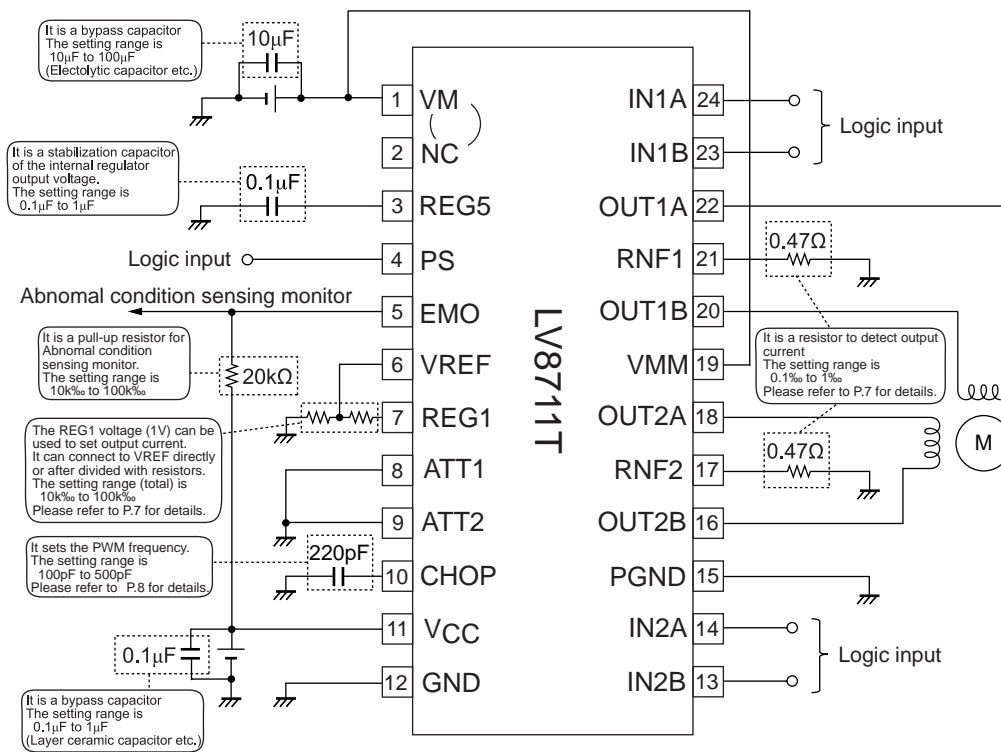
Provide a wait time of  $10\mu\text{s}$  or more after  $V_{CC}$  power supply rises before supplying VM power supply.

Provide a wait time of  $10\mu\text{s}$  or more after VM power supply rises before setting the PS pin High.



The above power-on sequence is only a recommendation, and there are no risks of damage or over current to the IC even if this sequence is not followed.

Application Circuit Example



Each constant setting method for the above circuit diagram example is as follows :

Current LIMIT (100%) set

$$VREF = 1.0V \text{ (when internal regulator output is connected)}$$

$$I_{LIMIT} = VREF / 5 / RNF \text{ resistance}$$

$$= 1.0V / 5 / 0.47\Omega = 425mA$$

Chopping frequency setting

$$F_{chop} = I_{chop} / (C_{chop} \times V_t \times 2)$$

$$= 10\mu A / (220pF \times 0.5V \times 2) = 45 \text{ kHz}$$

ON Semiconductor and the ON logo are registered trademarks of Semiconductor Components Industries, LLC (SCILLC). SCILLC owns the rights to a number of patents, trademarks, copyrights, trade secrets, and other intellectual property. A listing of SCILLC's product/patent coverage may be accessed at [www.onsemi.com/site/pdf/Patent-Marking.pdf](http://www.onsemi.com/site/pdf/Patent-Marking.pdf). SCILLC reserves the right to make changes without further notice to any products herein. SCILLC makes no warranty, representation or guarantee regarding the suitability of its products for any particular purpose, nor does SCILLC assume any liability arising out of the application or use of any product or circuit, and specifically disclaims any and all liability, including without limitation special, consequential or incidental damages. "Typical" parameters which may be provided in SCILLC data sheets and/or specifications can and do vary in different applications and actual performance may vary over time. All operating parameters, including "Typicals" must be validated for each customer application by customer's technical experts. SCILLC does not convey any license under its patent rights nor the rights of others. SCILLC products are not designed, intended, or authorized for use as components in systems intended for surgical implant into the body, or other applications intended to support or sustain life, or for any other application in which the failure of the SCILLC product could create a situation where personal injury or death may occur. Should Buyer purchase or use SCILLC products for any such unintended or unauthorized application, Buyer shall indemnify and hold SCILLC and its officers, employees, subsidiaries, affiliates, and distributors harmless against all claims, costs, damages, and expenses, and reasonable attorney fees arising out of, directly or indirectly, any claim of personal injury or death associated with such unintended or unauthorized use, even if such claim alleges that SCILLC was negligent regarding the design or manufacture of the part. SCILLC is an Equal Opportunity/Affirmative Action Employer. This literature is subject to all applicable copyright laws and is not for resale in any manner.

# Mouser Electronics

Authorized Distributor

Click to View Pricing, Inventory, Delivery & Lifecycle Information:

[ON Semiconductor:](#)

[LV8711T-TLM-H](#)