



EFC4612R

N-Channel Power MOSFET 24V, 6A, 45mΩ, Dual EFCP

ON Semiconductor®

<http://onsemi.com>

Features

- 2.5V drive
- Built-in gate protection resistor
- Best suited for LiB charging and discharging switch
- Common-drain type
- Halogen free compliance

Specifications

Absolute Maximum Ratings at Ta=25°C

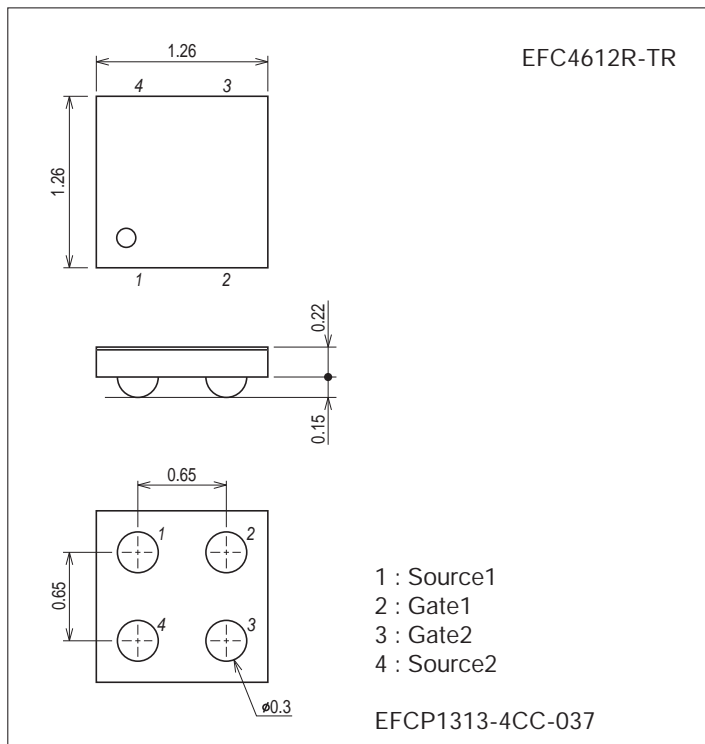
Parameter	Symbol	Conditions	Ratings	Unit
Source-to-Source Voltage	V _{SSS}		24	V
Gate-to-Source Voltage	V _{GSS}		±12	V
Source Current (DC)	I _S		6	A
Source Current (Pulse)	I _{SP}	PW≤10μs, duty cycle≤1%	60	A
Total Dissipation	P _T	When mounted on ceramic substrate (5000mm ² ×0.8mm)	1.6	W
Channel Temperature	T _{ch}		150	°C
Storage Temperature	T _{stg}		-55 to +150	°C

Stresses exceeding Maximum Ratings may damage the device. Maximum Ratings are stress ratings only. Functional operation above the Recommended Operating Conditions is not implied. Extended exposure to stresses above the Recommended Operating Conditions may affect device reliability.

Package Dimensions

unit : mm (typ)

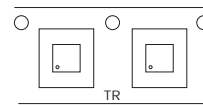
7064-001



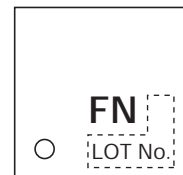
Product & Package Information

- Package : EFCP
- JEITA, JEDEC : -
- Minimum Packing Quantity : 5,000 pcs./reel

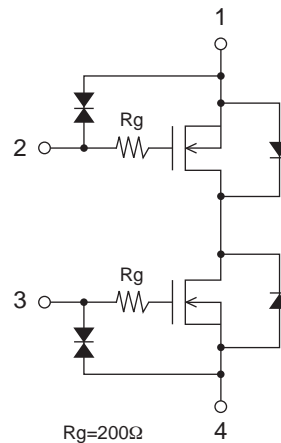
Taping Type : TR



Marking



Electrical Connection



EFC4612R

Electrical Characteristics at Ta=25°C

Parameter	Symbol	Conditions	Ratings			Unit
			min	typ	max	
Source-to-Source Breakdown Voltage	V(BR)SSS	IS=1mA, VGS=0V Test Circuit 1	24			V
Zero-Gate Voltage Source Current	ISSS	VSS=20V, VGS=0V Test Circuit 1			1	μA
Gate-to-Source Leakage Current	IGSS	VGS=±8V, VSS=0V Test Circuit 2			±10	μA
Cutoff Voltage	VGS(off)	VSS=10V, IS=1mA Test Circuit 3	0.5		1.3	V
Forward Transfer Admittance	yfs	VSS=10V, IS=3A Test Circuit 4		3.1		S
Static Source-to-Source On-State Resistance	RSS(on)1	IS=3A, VGS=4.5V Test Circuit 5	24	39	45	mΩ
	RSS(on)2	IS=3A, VGS=4.0V Test Circuit 5	25	41	48	mΩ
	RSS(on)3	IS=3A, VGS=3.7V Test Circuit 5	27.5	43	50	mΩ
	RSS(on)4	IS=3A, VGS=3.1V Test Circuit 5	31.5	48	57	mΩ
	RSS(on)5	IS=3A, VGS=2.5V Test Circuit 5	33.5	58	72	mΩ
Turn-ON Delay Time	td(on)	See specified Test Circuit. Test Circuit 7		20		ns
Rise Time	tr			230		ns
Turn-OFF Delay Time	td(off)			130		ns
Fall Time	tf			210		ns
Total Gate Charge	Qg		VSS=10V, VGS=4.5V, IS=6A		7	
Forward Source-to-Source Voltage	VF(S-S)	IS=3A, VGS=0V Test Circuit 6		0.8	1.2	V

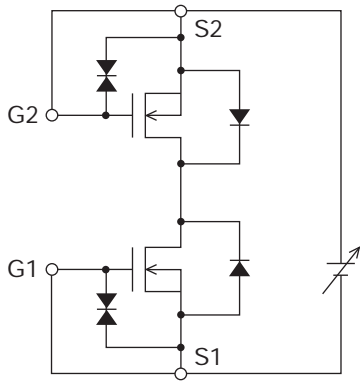
Ordering Information

Device	Package	Shipping	memo
EFC4612R-TR	EFCP	5,000pcs./reel	Pb Free and Halogen Free

Test circuits are example of measuring FET1 side

Test Circuit 1

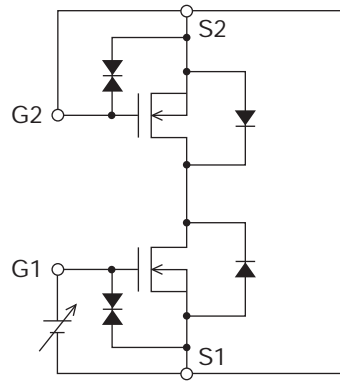
V_{SSS} / I_{SSS}



IT11565

Test Circuit 2

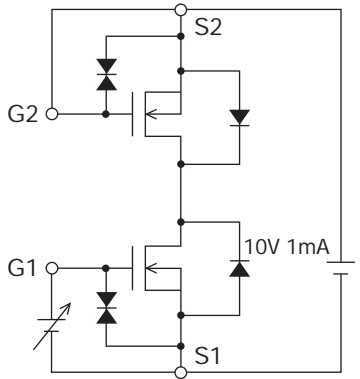
I_{GSS}(+) / (-)



IT11566

Test Circuit 3

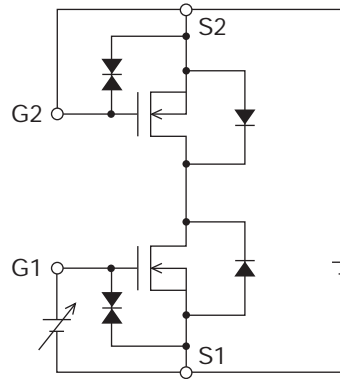
V_{GS(off)}



IT11567

Test Circuit 4

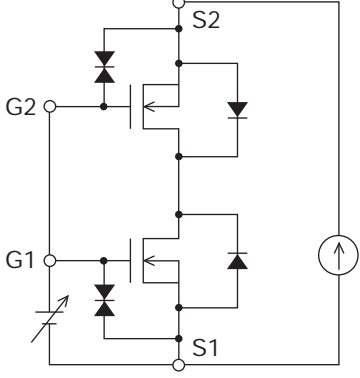
|y_{fs}|



IT11568

Test Circuit 5

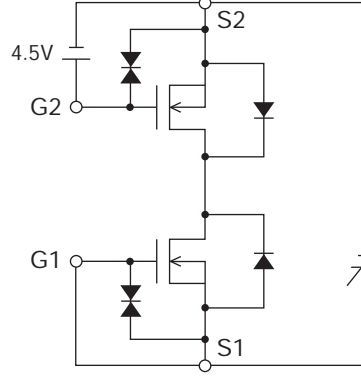
R_{SS(on)}



IT11569

Test Circuit 6

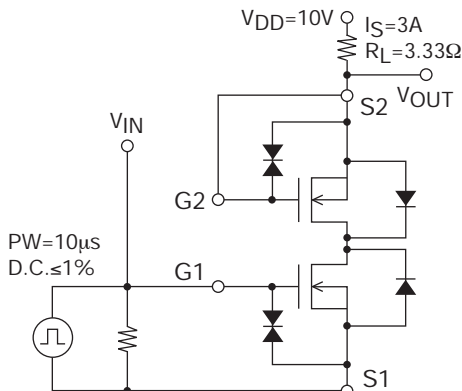
V_{F(S-S)}



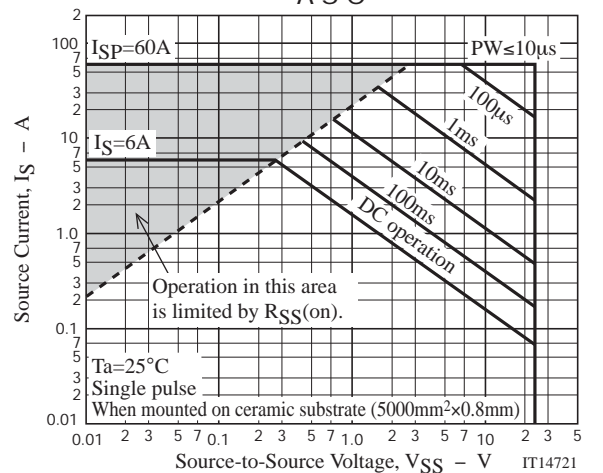
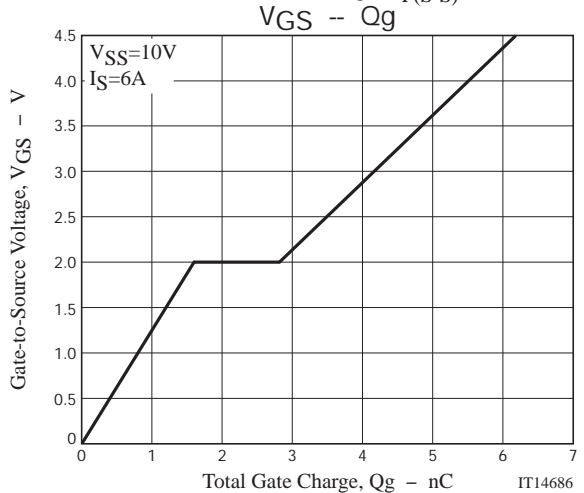
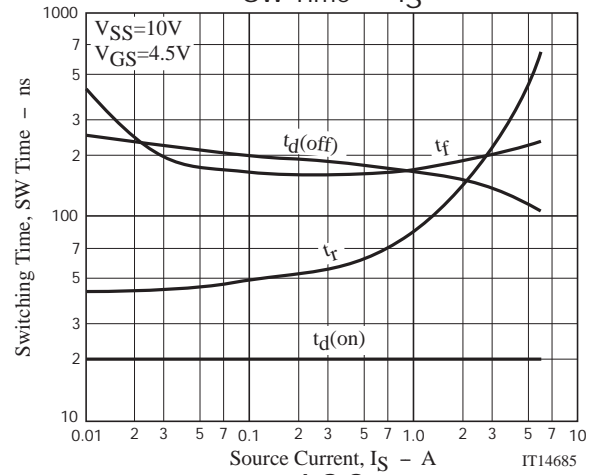
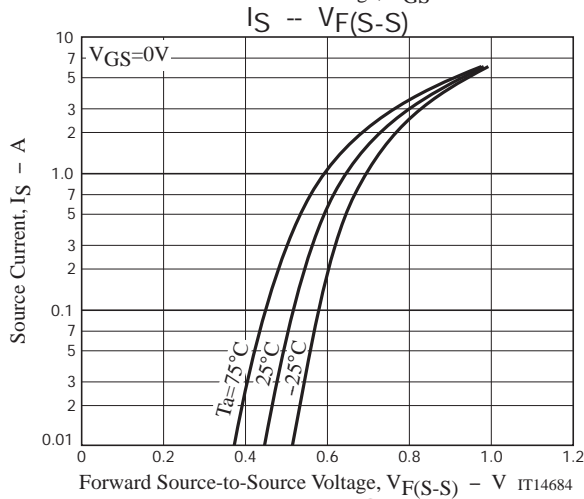
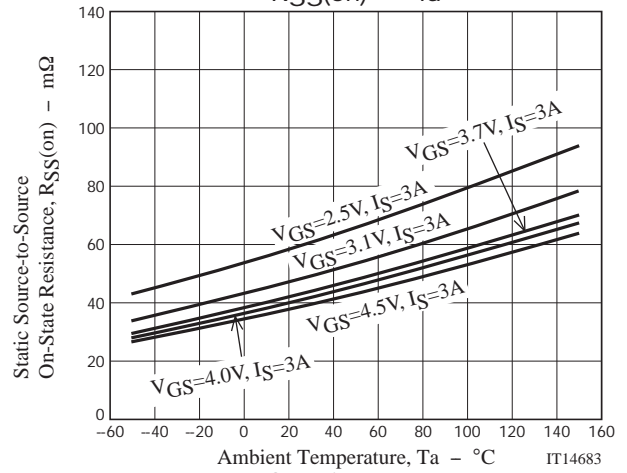
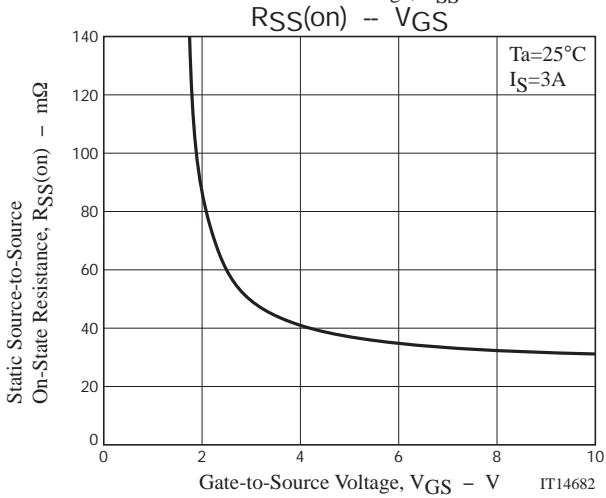
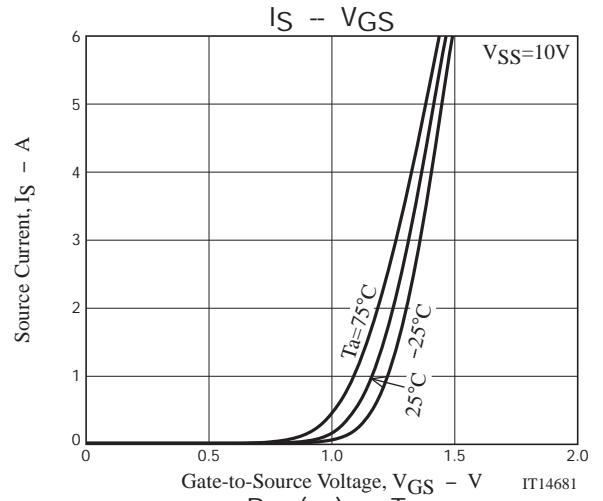
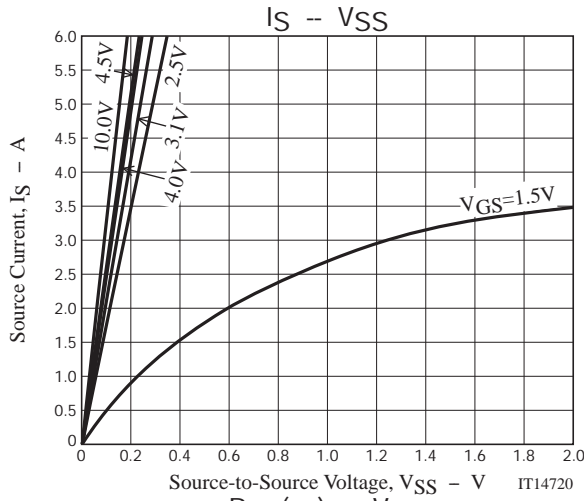
IT11570

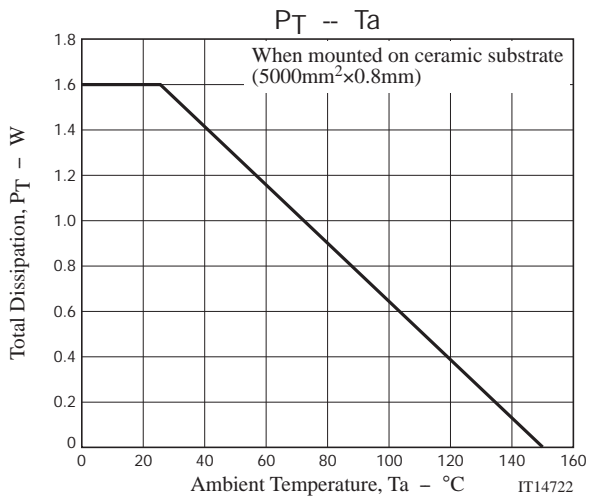
Test Circuit 7

t_{d(on)}, t_r, t_{d(off)}, t_f



* Note: Connect the measurement terminal reversely if you want to measure the FET2 side.





Taping Specification

EFC4612R-TR

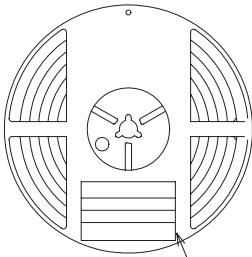
1. Packing Format

Package Name	Carrier Tape Type	Maximum Number of devices contained (pcs)			Packing format	
		Reel	Inner box	Outer box	Inner BOX (C-1)	Outer BOX (A-7)
EFCP1313 -4CC-037	145145×055	5,000	25,000	150,000	5 reels contained Dimensions:mm (external) 183×72×185	6 inner boxes contained Dimensions:mm (external) 440×195×210

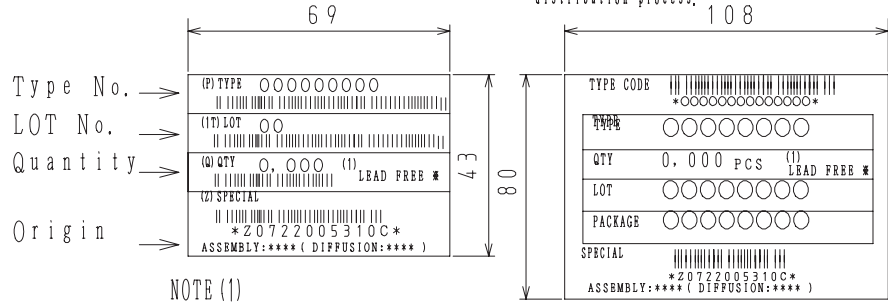
Packing method

Reel label, Inner box label
(unit:mm)

Outer box label
[It is a label at the time of factory shipments. The form of a label may change in physical distribution process.]



Reel label

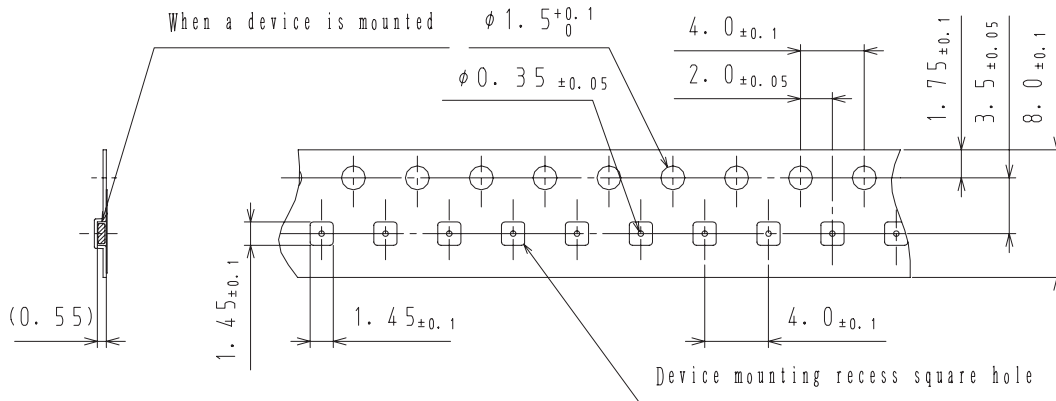


NOTE (1)
The LEAD FREE 4 description shows that it is complete lead free.

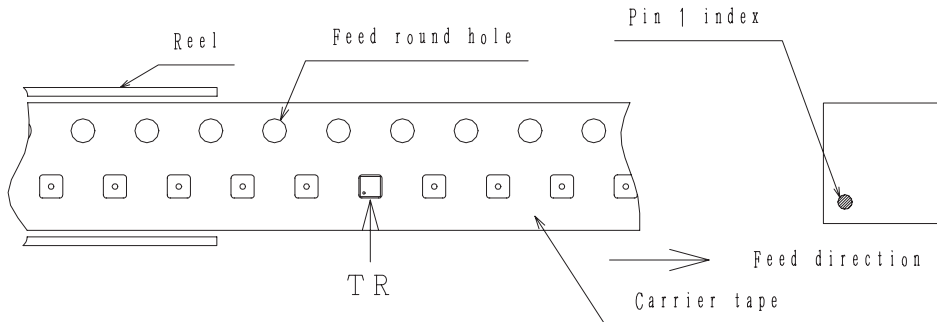
Label	JEITA Phase
LEAD FREE 4	JEITA Phase 3

2. Taping configuration

2-1. Carrier tape size (unit:mm)



2-2. Device placement direction

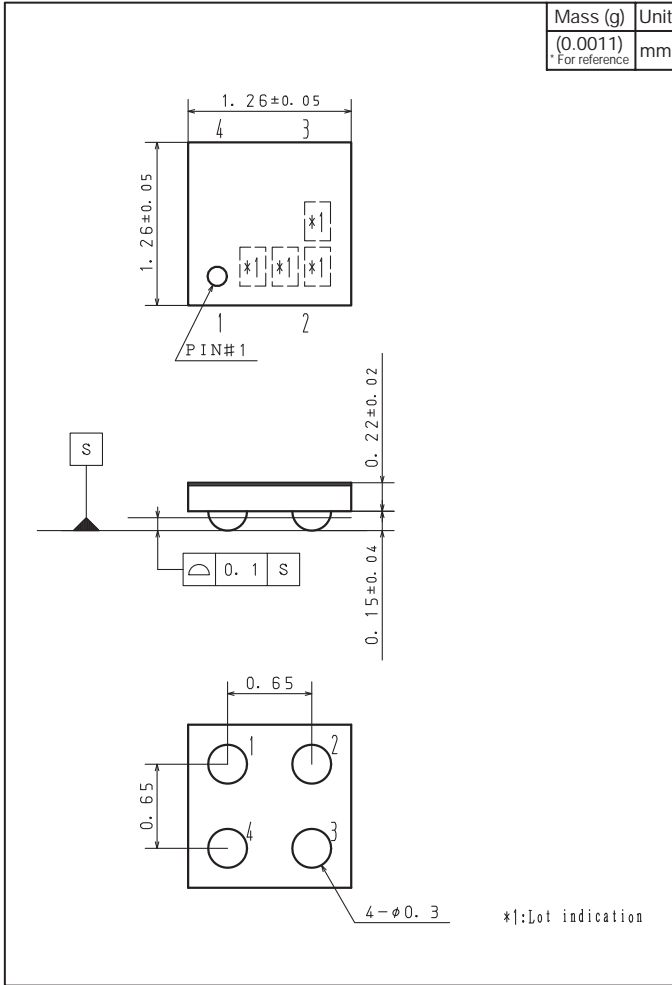


Those with pin 1 index on the opposite of feed hole.....TR

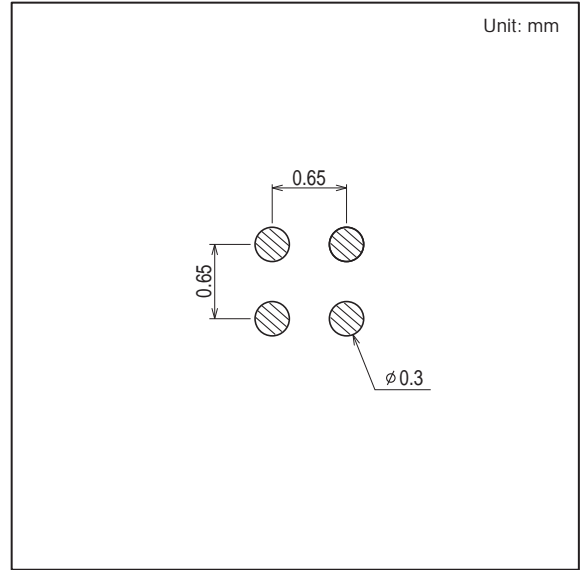
EFC4612R

Outline Drawing

EFC4612R-TR



Land Pattern Example



Note on usage : Since the EFC4612R is a MOSFET product, please avoid using this device in the vicinity of highly charged objects.

ON Semiconductor and the ON logo are registered trademarks of Semiconductor Components Industries, LLC (SCILLC). SCILLC owns the rights to a number of patents, trademarks, copyrights, trade secrets, and other intellectual property. A listing of SCILLC's product/patent coverage may be accessed at www.onsemi.com/site/pdf/Patent-Marking.pdf. SCILLC reserves the right to make changes without further notice to any products herein. SCILLC makes no warranty, representation or guarantee regarding the suitability of its products for any particular purpose, nor does SCILLC assume any liability arising out of the application or use of any product or circuit, and specifically disclaims any and all liability, including without limitation special, consequential or incidental damages. "Typical" parameters which may be provided in SCILLC data sheets and/or specifications can and do vary in different applications and actual performance may vary over time. All operating parameters, including "Typicals" must be validated for each customer application by customer's technical experts. SCILLC does not convey any license under its patent rights nor the rights of others. SCILLC products are not designed, intended, or authorized for use as components in systems intended for surgical implant into the body, or other applications intended to support or sustain life, or for any other application in which the failure of the SCILLC product could create a situation where personal injury or death may occur. Should Buyer purchase or use SCILLC products for any such unintended or unauthorized application, Buyer shall indemnify and hold SCILLC and its officers, employees, subsidiaries, affiliates, and distributors harmless against all claims, costs, damages, and expenses, and reasonable attorney fees arising out of, directly or indirectly, any claim of personal injury or death associated with such unintended or unauthorized use, even if such claim alleges that SCILLC was negligent regarding the design or manufacture of the part. SCILLC is an Equal Opportunity/Affirmative Action Employer. This literature is subject to all applicable copyright laws and is not for resale in any manner.

Mouser Electronics

Authorized Distributor

Click to View Pricing, Inventory, Delivery & Lifecycle Information:

[ON Semiconductor:](#)

[EFC4612R-TR](#) [EFC4615R-TR](#) [EFC4612R-S-TR](#)