

## A Wide Range In Short Words



Never stop thinking



# Infineon Technologies AG

Infineon hat mit seinen Produktinnovationen weltweit industrielle Standards gesetzt. Dabei stehen Kundennutzen und Kundenzufriedenheit stets im Focus und sind Bestandteil des Unternehmensleitbildes.

Die Leistungshalbleiter der Infineon werden in leistungselektronischen Anwendungen von etwa 0,5 kW bis über 1 Gigawatt eingesetzt; typischerweise in folgenden Anwendungsgebieten:

**Antriebe:** Walzwerke, Druckmaschinen, Werkzeugmaschinen, Haushaltsanwendungen von 0,5 kW bis über 1 MW.

**Traktion:** Bahnantriebe, Bord-Stromversorgungen, Batteriefahrzeuge.

**Metallbearbeitung:** Schweißtechnik, Induktive Erwärmung, Laseranwendungen.

**Energienetze:** Hochspannungs-Gleichstrom-Übertragungssysteme, Hochspannungs-Leistungs-Kompensation.

**Stromversorgung:** Medizinische Geräte, dezentrale Energieversorgungssysteme, statische Stromversorgun-

gen und unterbrechungsfreie Stromversorgungen.

Eine wichtige Erweiterung des Produktportfolios, sind IGBT-Treiber, die unter dem Markennamen *EiceDRIVER*<sup>™</sup> angeboten werden. *EiceDRIVER*<sup>™</sup> ist unterteilt in zwei wesentliche Produktkategorien, ICs (als Coreless Transformer) und Boards. Weitere Informationen erhalten Sie unter [www.infineon.com/gatedriver](http://www.infineon.com/gatedriver).

Dank der starken Position auf dem Markt ist es Infineon möglich, erheblich in Forschung und Entwicklung zu investieren. Darüber hinaus erbringen die enge Zusammenarbeit mit dem Fachbereich Forschung und Entwicklung von Infineon Technologies und weltweit führenden Fabriken zur Chipherstellung Synergieeffekte, die sich für alle Beteiligten zum Vorteil auswirken.

Risikobereitschaft, Experimentierfreude und unkonventionelles Denken der Mitarbeiter sind die Basis für die Ideen zu neuen Produkten und immer besseren Lösungen für unsere Kunden. Das drückt sich auch in unserem Slogan „never stop thinking“ aus.

## Infineon Technologies AG

Infineon's High Power semiconductors are used for applications in the power range of 0,5 kW up to more than 1 giga watt; typical application areas are:

**Drives:** Rolling mills, presses, machine tools, household appliances of 0,5 kW up to more than 1 MW.

**Traction:** Railway drives, power supplies, battery vehicles.

**Metal processing:** Welding, inductive heating, laser applications.

**Energy networks:** High voltage d.c. transmission systems, high voltage power compensation.

**Power supply:** Medical equipment, de-centralised power supply units, static power supplies, and UPS.

An important extension of our product portfolio is the family of IGBT-drivers, called *EiceDRIVER*<sup>™</sup>. The

*EiceDRIVER*<sup>™</sup> family is divided into two main product categories, ICs (as Coreless Transformer) and Boards.

For more information, please look into [www.infineon.com/gatedriver](http://www.infineon.com/gatedriver).

Based on its strong market position, Infineon is able to invest in research and development to a high extent. Important synergy effects, which are to everybody's benefit, are obtained by the close co-operation with the research and development area of Infineon Technologies and by the collaboration with worldwide leading waferfabs.

Motivated, dedicated, and flexible employees are the basis for new ideas which will lead to new products and to further improved solutions for our customers.

This is what our slogan "never stop thinking" illustrates.







Content	Page
Presentation .....	3
<b>IGBT Modules .....</b>	<b>7</b>
<i>Overview IGBT</i> .....	7
<i>Low Power</i> .....	8
EasyPIM™ Power Integrated Modules .....	8
EasyPACK .....	11
EasyDUAL .....	13
EasyFourPACK .....	14
EconoPIM™ Power Integrated Modules .....	15
EconoPACK™ .....	17
<i>Medium Power</i> .....	<b>19</b>
34 mm and 62 mm Modules .....	19
EconoPACK™+ .....	22
EconoDUAL™ .....	22
<i>High Power</i> .....	<b>23</b>
PrimePACK™ Modules .....	23
IGBT Modules IHM .....	24
IGBT Modules IHV .....	26
Diode Modules .....	27
<i>Drivers</i> .....	<b>28</b>
<i>EiceDRIVER™ IC</i> .....	<b>28</b>
<i>EiceDRIVER™ Board</i> .....	<b>29</b>
<b>SCR/Diode Modules .....</b>	<b>30</b>
<b>Bridge Rectifier / AC Switches</b>	
EasyBRIDGE .....	30
EconoBRIDGE™ .....	33
IsoPACK™ .....	34
<i>Overview PowerBLOCK Thyristor Modules for Phase Control</i> .....	<b>35</b>
PowerBLOCK Thyristor Modules for Phase Control .....	36
PowerBLOCK Single Thyristor Modules for Phase Control .....	37
<i>Overview PowerBLOCK Thyristor/Diodes Modules for Phase Control</i> .....	<b>38</b>
PowerBLOCK Thyristor/Diode Modules for Phase Control .....	39
<i>Overview PowerBLOCK Diodes/Thyristor Modules for Phase Control</i> .....	<b>40</b>
PowerBLOCK Diode/Thyristor Modules for Phase Control .....	41
<i>Overview PowerBLOCK Diode Modules for Phase Control</i> .....	<b>42</b>
PowerBLOCK Rectifier Diode Modules for Phase Control .....	43
PowerBLOCK Fast Thyristor Modules .....	44
PowerBLOCK Fast Asymmetric Thyristor Modules .....	45
PowerBLOCK Fast Diode Modules .....	46
<b>Presspacks .....</b>	<b>47</b>
<i>Overview Phase Control Thyristors in Disc Housings</i> .....	<b>47</b>

Content	Page
Pulsed Power Applications .....	48
Phase Control Thyristors .....	49
Fast Thyristors .....	54
Fast Asymmetric Thyristors .....	55
<i>Overview Rectifier in Disc Housings</i> .....	<b>56</b>
Rectifier Diodes .....	57
Freewheeling Diodes .....	60
Snubber Diodes .....	61
Fast Rectifier Diodes .....	62
Avalanche Rectifier Diodes .....	64
Welding Diodes .....	64
Insulated Cells .....	64
<b>Stacks .....</b>	<b>65</b>
Possible Combinations of Presspacks and Heatsinks .....	65
ModSTACK™ .....	66
PrimeSTACK .....	68
<b>Outlines .....</b>	<b>70</b>
Heatsinks .....	70
ModSTACK™ .....	79
PrimeSTACK .....	83
IGBT Modules .....	89
EasyBRIDGE .....	105
EconoBRIDGE™ Rectifier .....	106
IsoPACK™ Bridge Rectifier and AC-Switches .....	107
PowerBLOCKs .....	108
Presspacks .....	110
<i>EiceDRIVER™</i> .....	123
<b>Accessories .....</b>	<b>125</b>
Mounting Hardware for EasyPIM™, EasyPACK, EasyBRIDGE, EasyDUAL Modules .....	125
Gate Leads for PowerBLOCK Thyristor Modules .....	126
Standard Gate Leads for Disc Type Devices .....	127
Clamping Force and Disc Diameter .....	128
<b>Explanations .....</b>	<b>130</b>
Letter Symbols .....	130
Type Designations .....	132
Package Units .....	134
Certificates .....	136
<b>Contact Worldwide .....</b>	<b>137</b>
<b>Terms and conditions of delivery .....</b>	<b>140</b>

Further data sheets are available on request:

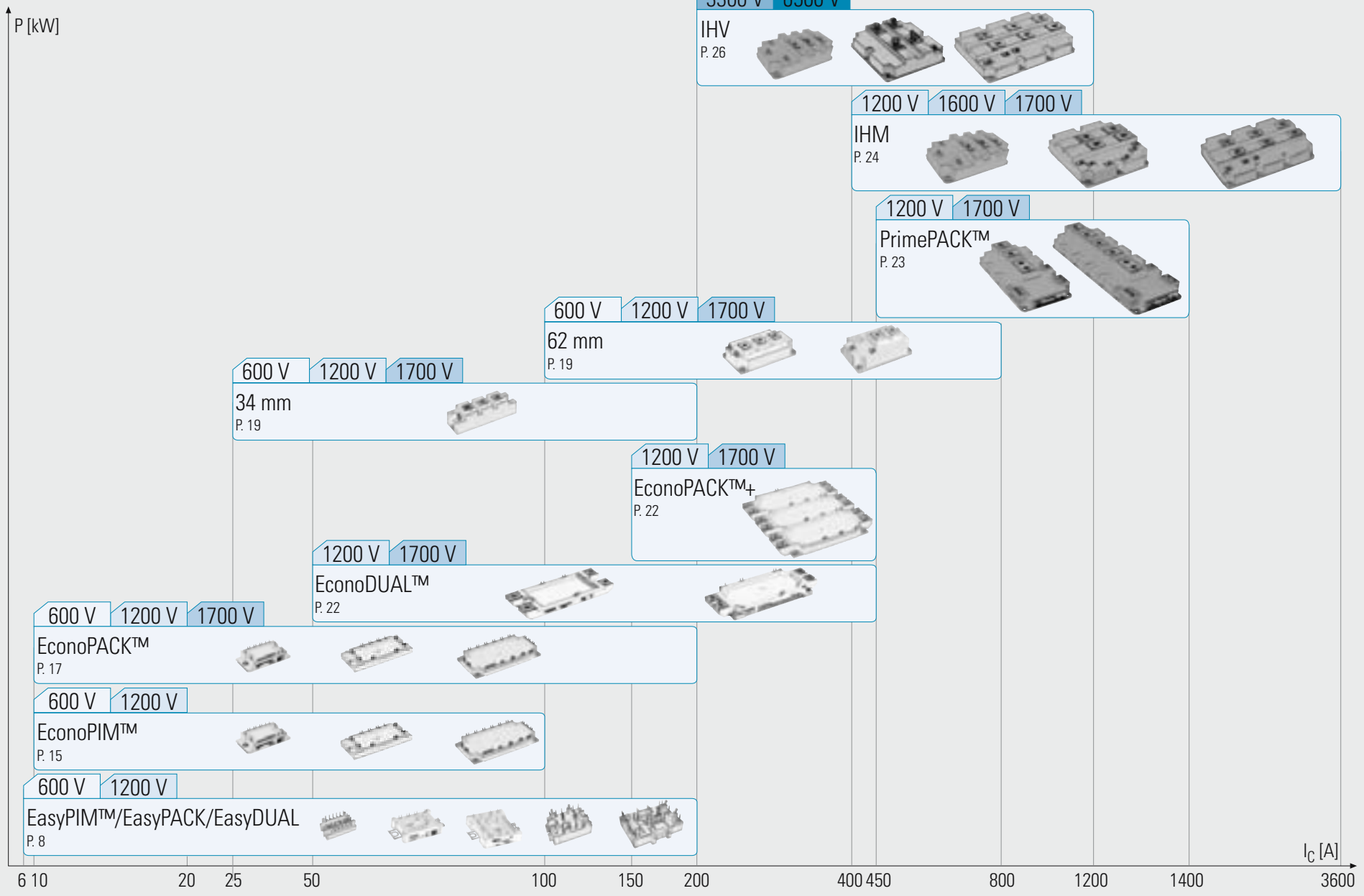
IGBT-Modules  
PIM Modules  
Thyristor-/Diode-Modules  
Fast Thyristors  
Thyristors for Phase Control  
Power Rectifier Diodes  
Snubber and Freewheeling Diodes

Actual, extensive data can be obtained in PDF-format from our internet address:

[www.infineon.com/powersemiconductors](http://www.infineon.com/powersemiconductors)



# Overview IGBT's



# IGBT Low Power Modules

## EasyPIM™ Power Integrated Modules

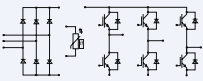
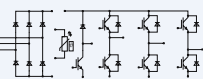
Single Phase 600 V <sub>CES</sub>		IGBT Inverter							Rectifier Diodes			Brake Chopper			Outline / page
Type	V <sub>CE</sub> V	I <sub>C</sub> * A	I <sub>C</sub> A	V <sub>CEsat</sub> V	R <sub>thJH</sub> K/W	R <sub>thJC</sub> K/W	Eon + Eoff mJ	V <sub>RRM</sub> V	I <sub>d</sub> A	R <sub>thJC</sub> K/W	V <sub>CE</sub> V	I <sub>C</sub> * A	R <sub>thJC</sub> K/W	Outline / page	
		T <sub>C</sub> = 80 °C	T <sub>C</sub> = 25 °C	T <sub>vj</sub> = 25 °C	typ.	max.	T <sub>vj</sub> = 125 °C				T <sub>C</sub> = 80 °C	max.			
	IGBT <sup>3</sup>														
	FB6R06VE3	600	6	11	1,55	4,90	3,90	0,30	800	10	2,10			L_750a/89	
	FB10R06VE3	600	10	16	1,55	4,10	3,10	0,67	800	10	2,10			L_750a/89	
	FB15R06VE3	600	15	20	1,55	3,50	2,60	1,05	800	10	2,10			L_750a/89	
	IGBT <sup>2</sup>														
	■ FB10R06KL4	600	10	16	1,95	2,20	1,80	0,80	800	10	1,95			L_1a/90	
	IGBT <sup>3</sup>														
	FB10R06XE3	600	10	16	1,55	3,40	2,90	0,50	800	10	1,60			L_1a/90	
	FB15R06XE3	600	15	22	1,55	2,70	2,10	0,76	800	15	1,60			L_1a/90	
	FB20R06XE3	600	20	27	1,55	2,35	1,95	1,00	800	20	1,60			L_1a/90	
	IGBT <sup>2</sup>														
	■ FB10R06KL4G	600	10	16	1,95	2,20	1,80	0,80	800	10	1,60			L_2a/92	
	■ FB15R06KL4	600	15	19	1,95	2,40	2,00	1,00	800	15	1,00			L_2b/92	
	■ FB20R06KL4	600	20	25	1,95	1,80	1,60	1,29	800	20	1,00			L_2b/92	
	IGBT <sup>3</sup>														
	FB10R06YE3	600	10	16	1,55	3,40	2,90	0,50	800	10	1,60			L_2a/92	
	FB15R06YE3	600	15	22	1,55	2,70	2,10	0,70	800	15	1,20			L_2b/92	
	FB20R06YE3	600	20	27	1,55	2,35	1,95	1,00	800	20	1,20			L_2b/92	
	IGBT <sup>2</sup>														
	FB10R06KL4G_B1	600	10	15	1,95	2,80	2,20	0,80	800	10	2,40	600	10	2,20	L_2c/92
	FB15R06KL4_B1	600	15	19	1,95	2,40	2,00	1,00	800	15	1,00	600	15	2,00	L_2d/93
	FB20R06KL4_B1	600	20	25	1,95	1,80	1,60	1,30	800	20	1,00	600	20	1,60	L_2d/93
	IGBT <sup>3</sup>														
	FB20R06YE3_B1	600	20	27	1,55	2,35	1,95	1,00	800	20	1,20	600	20	1,95	L_2d/93

■ Not for new design    ♦ New type    \*as specified in data sheet

Mounting Hardware see page 125.

# IGBT Low Power Modules

## EasyPIM™ Power Integrated Modules

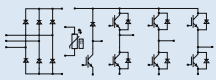
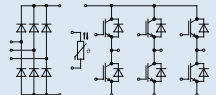
Three Phase 600 V <sub>CES</sub>		IGBT Inverter							Rectifier Diodes			Brake Chopper			Outline / page
Type	V <sub>CE</sub> V	I <sub>C</sub> <sup>*</sup>	I <sub>C</sub>	V <sub>CEsat</sub>	R <sub>thJH</sub>	R <sub>thJC</sub>	Eon + Eoff	V <sub>RRM</sub> V	I <sub>d</sub> A	R <sub>thJC</sub> K/W	V <sub>CE</sub> V	I <sub>C</sub> <sup>*</sup>	R <sub>thJC</sub>	Outline / page	
		T <sub>c</sub> = 80 °C A	T <sub>c</sub> = 25 °C A	T <sub>vj</sub> = 25 °C V	typ. K/W	max. K/W	T <sub>vj</sub> = 125 °C mJ					T <sub>c</sub> = 80 °C A	max. K/W		
	IGBT <sup>2</sup> FP10R06KL4_B3	600	10	16	1,95	2,20	1,80	0,80	800	10	1,60			L_2f/93	
	IGBT <sup>3</sup> FP10R06YE3_B3	600	10	16	1,55	3,40	2,90	0,50	800	20	1,60			L_2f/93	
	IGBT <sup>2</sup> FP10R06KL4	600	10	15	1,95	2,80	2,20	0,80	800	10	2,40	600	10	2,20	L_2e/93
	FP15R06KL4	600	15	20	1,95	2,05	1,60	1,00	800	15	1,60	600	15	1,60	L_2e/93
	FP20R06KL4	600	20	25	1,95	1,80	1,60	1,30	800	20	2,00	600	20	1,60	L_2e/93
	IGBT <sup>3</sup> ■ FP10R06YE3	600	10	16	1,55	3,40	2,90	0,50	800	10	1,60	600	10	2,90	L_2e/93
	■ FP15R06YE3	600	15	22	1,55	2,70	2,10	0,76	800	15	1,60	600	15	2,10	L_2e/93
	■ FP20R06YE3	600	20	27	1,55	2,35	1,95	1,00	800	20	1,60	600	20	1,95	L_2e/93
	■ FP30R06YE3	600	30	37	1,55	2,00	1,55	1,60	800	30	1,60	600	30	1,55	L_2e/93
	FP10R06YE3_B4	600	10	16	1,55	3,40	2,90	0,50	1600	10	1,45	600	10	2,90	L_2e/93
	FP15R06YE3_B4	600	15	22	1,55	2,70	2,10	0,76	1600	15	1,45	600	15	2,10	L_2e/93
	FP20R06YE3_B4	600	20	27	1,55	2,35	1,95	1,00	1600	20	1,45	600	20	1,95	L_2e/93
	FP30R06YE3_B4	600	30	37	1,55	2,00	1,55	1,60	1600	30	1,45	600	30	1,55	L_2e/93
	◆ FP10R06W1E3	600	10	16	1,55	3,35	2,20	0,50	1600	10	1,35	600	10	2,20	L_B1a/91
	◆ FP15R06W1E3	600	15	22	1,55	2,95	1,85	0,76	1600	15	1,35	600	15	1,85	L_B1a/91
	◆ FP20R06W1E3	600	20	27	1,55	2,70	1,60	1,00	1600	20	1,35	600	20	1,60	L_B1a/91
◆ FP30R06W1E3	600	30	37	1,55	2,25	1,30	1,60	1600	30	1,35	600	30	1,30	L_B1a/91	

\* as specified in data sheet    ◆ New type

Mounting Hardware see page 125.

## IGBT Low Power Modules

### EasyPIM™ Power Integrated Modules

Three Phase 1200 V <sub>CES</sub>																
Type		IGBT Inverter							Rectifier Diodes			Brake Chopper			Outline / page	
		V <sub>CE</sub> V	I <sub>C</sub> A T <sub>C</sub> = 80 °C	I <sub>C</sub> A T <sub>C</sub> = 25 °C	V <sub>CEsat</sub> V T <sub>vj</sub> = 25 °C	R <sub>thJH</sub> K/W typ.	R <sub>thJC</sub> K/W max.	Eon + Eoff mJ T <sub>vj</sub> = 125 °C	V <sub>RRM</sub> V	I <sub>d</sub> A	R <sub>thJC</sub> K/W	V <sub>CE</sub> V	I <sub>C</sub> * A T <sub>C</sub> = 80 °C	R <sub>thJC</sub> K/W max.		
	IGBT <sup>3</sup>															
	■ FP10R12YT3	1200	10	16	1,90	2,15	1,80	2,40	1600	10	1,50	1200	10	1,80	L_2e/93	
	■ FP10R12YT3_B4	1200	10	16	1,90	2,15	1,80	2,40	1600			1200	10	1,80	L_2e/93	
	■ FP15R12YT3	1200	15	25	1,70	1,70	1,30	3,50	1600	15	1,40	1200	15	1,30	L_2e/93	
	◆ FP10R12W1T3	1200	10	16	1,90	2,70	1,60	2,40	1600	10	1,35	1200	10	1,60	L_B1a/91	
	◆ FP15R12W1T3	1200	15	25	1,70	2,15	1,20	3,50	1600	15	1,35	1200	15	1,20	L_B1a/91	
	IGBT <sup>4</sup>															
	◆ FP10R12W1T4	1200	10			data on request				data on request			data on request			
	◆ FP15R12W1T4	1200	15			data on request				data on request			data on request			
	◆ FP25R12W2T4	1200	25			data on request				data on request			data on request			
◆ FP35R12W2T4	1200	35			data on request				data on request			data on request				
	IGBT <sup>4</sup>															
	◆ FP6R12W1T4_B3	1200	6			data on request				data on request			data on request			
	◆ FP10R12W1T4_B3	1200	10			data on request				data on request			data on request			
	◆ FP15R12W1T4_B3	1200	15			data on request				data on request			data on request			

■ Not for new design

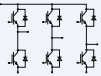
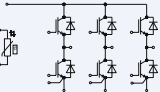
◆ New type

\* as specified in data sheet

Mounting Hardware see page 125.

# IGBT Low Power Modules

## EasyPACK

600 V <sub>CES</sub>		IGBT Inverter							Outline / page
Type	V <sub>CE</sub> V	I <sub>C</sub> * A T <sub>C</sub> = 80 °C	I <sub>C</sub> * A T <sub>C</sub> = 25 °C	V <sub>CEsat</sub> V T <sub>vj</sub> = 25 °C	R <sub>thJH</sub> K/W typ.	R <sub>thJC</sub> K/W max.	Eon + Eoff mJ T <sub>vj</sub> = 125 °C		
	IGBT <sup>3</sup>								
	FS10R06VE3	600	10	16	1,55	3,7	3,00	0,50	L_750b/89
	FS15R06VE3	600	15	22	1,55	3,00	2,30	0,76	L_750b/89
	FS20R06VE3	600	20	25	1,55	2,75	2,00	1,00	L_750b/89
FS30R06VE3	600	30	34	1,55	2,35	1,70	1,60	L_750b/89	
	IGBT <sup>2</sup>								
	■ FS10R06VL4_B2	600	10	16	1,95	2,40	1,80	0,52	L_750c/89
	■ FS15R06VL4_B2	600	15	20	1,95	2,20	1,70	0,71	L_750c/89
	■ FS10R06XL4	600	10	17	1,95	2,20	1,65	0,55	L_1b/90
	■ FS15R06XL4	600	15	20	1,95	1,90	1,55	0,75	L_1b/90
	■ FS20R06XL4	600	20	26	1,95	1,65	1,40	1,10	L_1b/90
	■ FS30R06XL4	600	30	35	1,95	1,35	1,05	1,60	L_1b/90
	■ FS50R06YL4	600	50	55	1,95	0,95	0,62	1,85	L_2h/94
	IGBT <sup>3</sup>								
	FS6R06VE3_B2	600	6	11	1,55	4,60	3,70	0,25	L_750c/89
	FS10R06VE3_B2	600	10	16	1,55	3,70	3,00	0,50	L_750c/89
	FS15R06VE3_B2	600	15	22	1,55	3,00	2,30	0,76	L_750c/89
	FS20R06VE3_B2	600	20	25	1,55	2,75	2,00	1,00	L_750c/89
	FS10R06XE3	600	10	16	1,55	3,40	2,90	0,50	L_1b/90
	FS15R06XE3	600	15	22	1,55	2,70	2,10	0,76	L_1b/90
	FS20R06XE3	600	20	27	1,55	2,45	1,95	1,10	L_1b/90
	FS30R06XE3	600	30	37	1,55	2,00	1,50	1,40	L_1b/90
	FS50R06YE3	600	50	60	1,45	1,35	0,95	1,95	L_2h/94
	◆ FS20R06W1E3	600	20			data on request			
	◆ FS30R06W1E3	600	30			data on request			
◆ FS50R06W1E3	600	50			data on request				

■ Not for new design

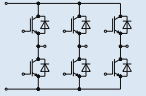
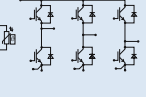
◆ New type

\* as specified in data sheet

Mounting Hardware see page 125.



## IGBT Low Power Modules EasyPACK

1200 V <sub>CES</sub>		IGBT Inverter							Outline / page
Type	V <sub>CE</sub> V	I <sub>C</sub> * A T <sub>C</sub> =80 °C	I <sub>C</sub> * A T <sub>C</sub> =25 °C	V <sub>CEsat</sub> V T <sub>vj</sub> =25 °C	R <sub>thJH</sub> K/W typ.	R <sub>thJC</sub> K/W max.	Eon + Eoff mJ T <sub>vj</sub> =125 °C		
	IGBT <sup>3</sup>								
	FS10R12VT3	1200	10	16	1,90	2,40	1,95	2,35	L_750f/89
	FS15R12VT3	1200	15	24	1,70	1,90	1,45	3,40	L_750f/89
	IGBT <sup>3</sup>								
	FS10R12YT3	1200	10	16	1,90	2,05	1,80	2,30	L_2g/94
	FS15R12YT3	1200	15	25	1,70	1,70	1,30	3,25	L_2g/94
	FS25R12YT3	1200	25	40	1,70	1,15	0,85	5,40	L_2g/94
	FS35R12YT3	1200	35	40	1,70	0,95	0,62	7,50	L_2g/94
	IGBT <sup>4</sup>								
◆ FS25R12W1T4	1200	25						data on request	
◆ FS35R12W1T4	1200	35						data on request	


◆ New type

\* as specified in data sheet


Mounting Hardware see page 125.

# IGBT Low Power Modules

## EasyDUAL

600 V <sub>CEs</sub>		IGBT Inverter							Outline / page
Type	V <sub>CE</sub> V	I <sub>C</sub> * A T <sub>C</sub> = 80 °C	I <sub>C</sub> * A T <sub>C</sub> = 25 °C	V <sub>CEsat</sub> V T <sub>vj</sub> = 25 °C	R <sub>thJH</sub> K/W typ.	R <sub>thJC</sub> K/W max.	Eon + Eoff mJ T <sub>vj</sub> = 125 °C	Outline / page	
	IGBT <sup>3</sup>								
	FF200R06YE3	600	200	data on request				L_2j/94	

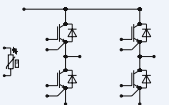
\* as specified in data sheet

1200 V <sub>CEs</sub>		IGBT Inverter							Outline / page
Type	V <sub>CE</sub> V	I <sub>C</sub> * A T <sub>C</sub> = 80 °C	I <sub>C</sub> * A T <sub>C</sub> = 25 °C	V <sub>CEsat</sub> V T <sub>vj</sub> = 25 °C	R <sub>thJH</sub> K/W typ.	R <sub>thJC</sub> K/W max.	Eon + Eoff mJ T <sub>vj</sub> = 125 °C	Outline / page	
	IGBT <sup>3</sup>								
	FF75R12YT3	1200	75	100	1,80	0,53	0,36	15,70	L_2j/94
	FF100R12YT3	1200	100	140	1,70	0,41	0,28	21,70	L_2j/94
	FF150R12YT3	1200	150	200	1,70	0,31	0,2	32,00	L_2j/94

\* as specified in data sheet

## IGBT Low Power Modules

### EasyFourPACK

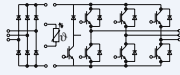
600 V <sub>CES</sub>		IGBT Inverter							Outline / page
Type	V <sub>CE</sub> V	I <sub>C</sub> * A T <sub>C</sub> = 80 °C	I <sub>C</sub> * A T <sub>C</sub> = 25 °C	V <sub>CEsat</sub> V T <sub>vj</sub> = 25 °C	R <sub>thJH</sub> K/W typ.	R <sub>thJC</sub> K/W max.	Eon + Eoff mJ T <sub>vj</sub> = 125 °C		
	IGBT <sup>3</sup>								
	◆ F4-30R06W1E3	600	30	48	1,55	1,55	0,90	1,58	L_B1b/91
	◆ F4-50R06W1E3	600	50	75	1,45	1,30	0,66	2,06	L_B1b/91
◆ F4-75R06W1E3	600	75	100	1,45	1,10	0,55	2,65	L_B1b/91	

◆ New type

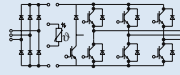
\* as specified in data sheet

# IGBT Low Power Modules

## EconoPIM™ Power Integrated Modules

600 V <sub>CES</sub>													Outline / page
Type		IGBT Inverter				Rectifier Diodes				Brake Chopper			Outline / page
V <sub>CES</sub> V	I <sub>C</sub> A	R <sub>thJC</sub> K/W	V <sub>CESat</sub> V T <sub>vj</sub> = 25°C	V <sub>RRM</sub> V	I <sub>FRMSM</sub> A T <sub>C</sub> = 80°C	R <sub>thJC</sub> K/W	V <sub>f</sub> V T <sub>vj</sub> = 150°C	V <sub>CES</sub> V	I <sub>C,IGBT</sub> A T <sub>C</sub> = 80°C	R <sub>thJC</sub> K/W			
	IGBT <sup>2</sup> Standard												
	■ BSM10GP60	600	10	1,50	1,95	1600	40	1,00	0,90	600	10,0	1,50	M_E2a/95
	■ BSM15GP60	600	15	1,30	1,95	1600	40	1,00	0,95	600	10,0	1,50	M_E2a/95
	■ BSM20GP60	600	20	1,00	1,95	1600	40	1,00	1,00	600	10,0	1,50	M_E2a/95
	■ BSM30GP60	600	30	0,70	1,95	1600	40	1,00	1,10	600	15,0	1,30	M_E2a/95
	■ BSM50GP60	600	50	0,50	1,95	1600	40	1,00	1,30	600	25,0	1,00	M_E2a/95
	■ BSM50GP60G	600	50	0,50	1,95	1600	40	1,00	1,30	600	25,0	1,00	M_E3a/95
	■ BSM75GP60	600	75	0,40	1,95	1600	60	0,65	1,15	600	37,5	0,70	M_E3a/95
	■ BSM100GP60	600	100	0,30	1,95	1600	80	0,50	1,16	600	50,0	0,50	M_E3a/95
	IGBT <sup>3</sup>												
	FP30R06KE3	600	30	1,20	1,55	1600	60	0,85	0,90	600	30,0	1,20	M_E2a/95
	FP50R06KE3	600	50	0,80	1,45	1600	70	0,85	1,05	600	30,0	1,20	M_E2a/95
	FP50R06KE3G	600	50	0,80	1,45	1600	80	0,65	1,00	600	50,0	0,80	M_E3a/95
FP75R06KE3	600	75	0,60	1,45	1600	100	0,50	1,05	600	50,0	0,80	M_E3a/95	
FP100R06KE3	600	100	0,45	1,45	1600	100	0,50	1,10	600	50,0	0,80	M_E3a/95	

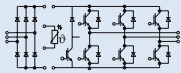
## EconoPIM™ Power Integrated Modules

1200 V <sub>CES</sub>													Outline / page
Type		IGBT Inverter				Rectifier Diodes				Brake Chopper			Outline / page
V <sub>CES</sub> V	I <sub>C</sub> A	R <sub>thJC</sub> K/W	V <sub>CESat</sub> V T <sub>vj</sub> = 25°C	V <sub>RRM</sub> V	I <sub>d</sub> A T <sub>C</sub> = 80°C	R <sub>thJC</sub> K/W	V <sub>f</sub> V T <sub>vj</sub> = 150°C	V <sub>CES</sub> V	I <sub>C,IGBT</sub> A T <sub>C</sub> = 80°C	R <sub>thJC</sub> K/W			
	IGBT <sup>2</sup> Standard												
	■ BSM10GP120	1200	10	1,20	2,40	1600	40	1,00	0,90	1200	10,00	1,20	M_E2a/95
	■ BSM15GP120	1200	15	0,70	2,20	1600	40	1,00	0,95	1200	10,00	1,20	M_E2a/95
	■ BSM25GP120	1200	25	0,55	2,10	1600	40	1,00	1,05	1200	12,50	1,20	M_E2a/95
	■ BSM35GP120	1200	35	0,55	2,40	1600	40	1,00	1,15	1200	17,50	0,70	M_E2a/95
	■ BSM35GP120G	1200	35	0,55	2,40	1600	40	1,00	1,15	1200	17,50	0,70	M_E3a/95
	■ BSM50GP120	1200	50	0,35	2,20	1600	40	0,65	1,05	1200	25,00	0,55	M_E3a/95

■ Not for new design

# IGBT Low Power Modules

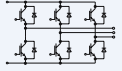
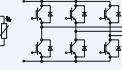
## EconoPIM™ Power Integrated Modules

1200 V <sub>CES</sub>													
Type	IGBT Inverter				Rectifier Diodes				Brake Chopper			Outline / page	
	V <sub>CES</sub> V	I <sub>C</sub> A	R <sub>thJC</sub> K/W	V <sub>CESat</sub> V T <sub>vj</sub> = 25°C	V <sub>RRM</sub> V	I <sub>d</sub> A T <sub>C</sub> = 80°C	R <sub>thJC</sub> K/W	V <sub>f</sub> V T <sub>vj</sub> = 150°C	V <sub>CES</sub> V	I <sub>C,IGBT</sub> A T <sub>C</sub> = 80°C	R <sub>thJC</sub> K/W		
	IGBT <sup>2</sup> Fast												
	FP15R12KS4C	1200	15	0,70	3,20	1600	40	1,00	0,95	1200	10,00	1,20	M_E2a/95
	FP25R12KS4C	1200	25	0,55	3,20	1600	40	1,00	1,05	1200	12,50	1,20	M_E2a/95
	FP50R12KS4C	1200	50	0,35	3,20	1600	40	0,65	1,05	1200	25,00	0,55	M_E3a/95
	IGBT <sup>3</sup>												
	FP15R12KE3G	1200	15	1,20	1,70	1600	50	1,00	0,95	1200	10,00	1,50	M_E2a/95
	FP25R12KE3	1200	25	0,80	1,70	1600	50	1,00	1,05	1200	15,00	1,20	M_E2a/95
	FP40R12KE3	1200	40	0,60	1,80	1600	50	1,00	1,20	1200	15,00	1,20	M_E2a/95
	FP40R12KE3G	1200	40	0,60	1,80	1600	50	1,00	1,20	1200	40,00	0,60	M_E3a/95
	FP50R12KE3	1200	50	0,45	1,70	1600	80	0,65	1,00	1200	40,00	0,60	M_E3a/95
FP75R12KE3	1200	75	0,35	1,70	1600	80	0,65	1,15	1200	40,00	0,60	M_E3a/95	
IGBT <sup>3</sup> Fast													
FP15R12KT3	1200	15	1,20	1,70	1600	50	1,00	0,90	1200	10,00	1,50	M_E2a/95	
FP25R12KT3	1200	25	0,80	1,70	1600	50	1,00	1,05	1200	15,00	1,20	M_E2a/95	
FP40R12KT3	1200	40	0,60	1,80	1600	50	1,00	1,20	1200	15,00	1,20	M_E2a/95	
FP40R12KT3G	1200	40	0,60	1,80	1600	50	1,00	1,20	1200	40,00	0,60	M_E3a/95	
FP50R12KT3	1200	50	0,45	1,70	1600	80	0,65	1,00	1200	40,00	0,60	M_E3a/95	
FP75R12KT3	1200	75	0,35	1,70	1600	80	0,65	1,10	1200	40,00	0,60	M_E3a/95	
FP10R12NT3	1200	10	1,50	1,90	1600	50	1,00	0,95	1200	10,00	1,50	M_E1a/95	
FP15R12NT3	1200	15	1,20	1,70	1600	50	1,00	1,00	1200	15,00	1,20	M_E1a/95	
IGBT <sup>4</sup> Fast													
◆ FP35R12KT4	1200	35	data on request		data on request		data on request		1200	data on request			
◆ FP50R12KT4	1200	50	data on request		data on request		data on request		1200	data on request			
◆ FP75R12KT4	1200	75	data on request		data on request		data on request		1200	data on request			
◆ FP100R12KT4	1200	100	data on request		data on request		data on request		1200	data on request			
IGBT <sup>4</sup> Fast PressFIT													
◆ FP35R12KT4_B11	1200	35	data on request		data on request		data on request		1200	data on request		M_E2h/96	
◆ FP50R12KT4_B11	1200	50	data on request		data on request		data on request		1200	data on request		M_E2h/96	
◆ FP75R12KT4_B11	1200	75	data on request		data on request		data on request		1200	data on request		M_E3f/97	
◆ FP100R12KT4_B11	1200	100	data on request		data on request		data on request		1200	data on request		M_E3f/97	

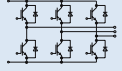
◆ New type

# IGBT Low Power Modules

## EconoPACK™

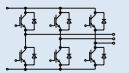
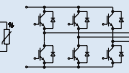
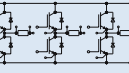
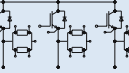

600 V – Type							
Type		V <sub>CES</sub> V	I <sub>C</sub> A	V <sub>CEsat</sub> V T <sub>vj</sub> =25°C typ.	P <sub>tot</sub> W	R <sub>thJC</sub> K/W ≤	Outline / page
 SixPACK	IGBT <sup>2</sup> Standard						
	■ BSM20GD60DLC	600	20	1,95	125	1,00	M_E2d/96
	■ BSM20GD60DLCE3224	600	20	1,95	125	1,00	M_E2c/96
	■ BSM30GD60DLC	600	30	1,95	135	0,90	M_E2d/96
	■ BSM30GD60DLCE3224	600	30	1,95	135	0,90	M_E2c/96
	■ BSM50GD60DLC	600	50	1,95	250	0,50	M_E2c/96
	■ BSM50GD60DLCE3226	600	50	1,95	250	0,50	M_E2d/96
	■ BSM75GD60DLC	600	75	1,95	330	0,37	M_E2c/96
	■ BSM100GD60DLC	600	100	1,95	430	0,29	M_E3c/96
	■ BSM150GD60DLC	600	150	1,95	570	0,22	M_E3c/96
	■ BSM200GD60DLC	600	200	1,95	700	0,18	M_E3c/96
	 SixPACK	IGBT <sup>3</sup>					
FS50R06KE3		600	50	1,45	190	0,80	M_E2b/95
FS75R06KE3		600	75	1,45	250	0,60	M_E2b/95
FS100R06KE3		600	100	1,45	335	0,45	M_E3b/95
FS150R06KE3		600	150	1,45	430	0,35	M_E3b/95
FS200R06KE3		600	200	1,45	600	0,25	M_E3b/95

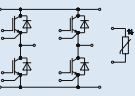
■ Not for new design

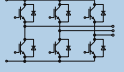
1200 V – Type								
Type		V <sub>CES</sub> V	I <sub>C</sub> A	V <sub>CEsat</sub> V T <sub>vj</sub> =25°C typ.	P <sub>tot</sub> W	R <sub>thJC</sub> K/W ≤	Outline / page	
 SixPACK	IGBT <sup>2</sup> Standard							
	BSM10GD120DN2	1200	10	2,70	80	1,52	M_E2d/96	
	BSM10GD120DN2E3224	1200	10	2,70	80	1,52	M_E2c/96	
	BSM15GD120DN2	1200	15	2,50	145	0,86	M_E2d/96	
	BSM15GD120DN2E3224	1200	15	2,50	145	0,86	M_E2c/96	
	BSM25GD120DN2	1200	25	2,50	200	0,60	M_E2d/96	
	BSM25GD120DN2E3224	1200	25	2,50	200	0,60	M_E2c/96	
	BSM35GD120DN2	1200	35	2,70	280	0,44	M_E2d/96	
	BSM35GD120DN2E3224	1200	35	2,70	280	0,44	M_E2c/96	
	BSM50GD120DN2	1200	50	2,50	350	0,35	M_E2c/96	
	BSM50GD120DN2E3226	1200	50	2,50	350	0,35	M_E2d/96	
	BSM50GD120DN2G	1200	50	2,50	400	0,35	M_E3c/96	
	BSM75GD120DN2	1200	75	2,50	520	0,235	M_E3c/96	
	BSM100GD120DN2	1200	100	2,50	680	0,182	M_E3c/96	
	SixPACK	IGBT <sup>2</sup> Low Loss						
		■ BSM15GD120DLCE3224	1200	15	2,10	145	0,86	M_E2c/96
		■ BSM25GD120DLCE3224	1200	25	2,10	200	0,6	M_E2c/96
		■ BSM35GD120DLCE3224	1200	35	2,10	280	0,44	M_E2c/96
		■ BSM50GD120DLC	1200	50	2,10	350	0,35	M_E2c/96
		■ BSM75GD120DLC	1200	75	2,10	500	0,25	M_E3c/96
		■ BSM100GD120DLC	1200	100	2,10	650	0,19	M_E3c/96
	SixPACK	IGBT <sup>3</sup>						
FS25R12KE3G		1200	25	1,70	145	0,86	M_E2b/95	
FS35R12KE3G		1200	35	1,70	200	0,6	M_E2b/95	
FS50R12KE3		1200	50	1,70	270	0,45	M_E2b/95	
FS75R12KE3		1200	75	1,70	350	0,35	M_E2b/95	
FS75R12KE3G		1200	75	1,70	350	0,35	M_E3b/95	
FS100R12KE3		1200	100	1,70	480	0,26	M_E3b/95	
FS150R12KE3	1200	150	1,70	700	0,18	M_E3b/95		

# IGBT Low Power Modules

## EconoPACK™

1200 V – Type		$V_{CES}$ V	$I_C$ A	$V_{CESat}$ V $T_{vj}=25^\circ\text{C}$ typ.	$P_{tot}$ W	$R_{thJC}$ K/W $\leq$	Outline / page
 SixPACK	IGBT <sup>2</sup> Fast						
	FS75R12KS4	1200	75	3,20	500	0,25	M_E3c/96
	FS100R12KS4	1200	100	3,20	660	0,19	M_E3c/96
 SixPACK	IGBT <sup>2</sup> Fast						
	FS25R12NT3	1200	25	data on request			M_E1b/95
	FS35R12NT3	1200	35	data on request			M_E1b/95
	FS25R12KT3	1200	25	1,70	145	0,86	M_E2b/95
	FS35R12KT3	1200	35	1,70	210	0,60	M_E2b/95
	FS50R12KT3	1200	50	1,70	280	0,45	M_E2b/95
	FS75R12KT3	1200	75	1,70	355	0,35	M_E2b/95
	FS75R12KT3G	1200	75	1,70	355	0,35	M_E3b/95
	FS100R12KT3	1200	100	1,70	480	0,26	M_E3b/95
	FS150R12KT3	1200	150	1,70	700	0,18	M_E3b/95
	IGBT <sup>4</sup> Fast						
	◆ FS100R12KT4	1200	100	data on request			M_E3b/95
	◆ FS150R12KT4	1200	150	data on request			M_E3b/95
	IGBT <sup>4</sup> Fast PressFIT						
	◆ FS100R12KT4_B11	1200	100	data on request			M_E3e/97
◆ FS150R12KT4_B11	1200	150	data on request			M_E3e/97	
 SixPACK with Shunt	IGBT <sup>3</sup>						
	FS75R12KE3_B3	1200	75	1,70	355	0,35	M_E3g/97
	FS100R12KE3_B3	1200	100	1,70	480	0,26	M_E3g/97
 TriPACK High with Shunts	IGBT <sup>3</sup>						
	FT150R12KE3G_B4	1200	150	1,70	700	0,18	M_E3h/97
 TriPACK Low							
	FT150R12KE3_B5	1200	150	1,70	700	0,18	M_E2f/97

1200 V – Type		$V_{CES}$ V	$I_C$ A	$V_{CESat}$ V $T_{vj}=25^\circ\text{C}$ typ.	$P_{tot}$ W	$R_{thJC}$ K/W $\leq$	Outline / page
 FourPACK	IGBT <sup>2</sup> Fast						
	F4-25R12NS4	1200	25	3,20	210	0,60	M_E1c/96
	F4-35R12NS4	1200	35	3,40	250	0,50	M_E1c/96
	F4-50R12KS4	1200	50	3,20	355	0,35	M_E2e/96
	F4-75R12KS4	1200	75	3,20	500	0,25	M_E2e/96
	F4-100R12KS4	1200	100	3,20	660	0,19	M_E3d/96
	F4-150R12KS4	1200	150	3,20	960	0,13	M_E3d/96


1700 V – Type		$V_{CES}$ V	$I_C$ A	$V_{CESat}$ V $T_{vj}=25^\circ\text{C}$ typ.	$P_{tot}$ W	$R_{thJC}$ K/W $\leq$	Outline / page
 3-Phase-Full-Bridges	IGBT <sup>2</sup> Low Loss						
	■ BSM50GD170DL	1700	50	2,70	480	0,26	M_E3c/96
	IGBT <sup>3</sup>						
	FS50R17KE3_B17	1700	50	2,00	345	0,36	M_E2g/97
	FS75R17KE3	1700	75	2,00	465	0,27	M_E3b/95
	FS100R17KE3	1700	100	2,00	555	0,225	M_E3b/95

- Not for new design
- ◆ New type

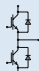


# IGBT Medium Power Modules



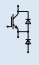
## 34 mm and 62 mm Modules

600 V – Type							
Type	$V_{CES}$ V	$I_C$ A	$V_{CEsat}$ V $T_{vj}=25^\circ\text{C}$ typ.	$P_{tot}$ W	$R_{thJC}$ K/W $\leq$ per arm	Outline / page	
  Dual Modules	IGBT <sup>2</sup> Low Loss						
	BSM50GB60DLC	600	50	1,95	280	0,44	M_34a/98
	BSM75GB60DLC	600	75	1,95	355	0,35	M_34a/98
	BSM100GB60DLC	600	100	1,95	445	0,28	M_34a/98
	BSM150GB60DLC	600	150	1,95	595	0,21	M_34a/98
	BSM200GB60DLC	600	200	1,95	730	0,17	M_34a/98
	BSM300GB60DLC	600	300	1,95	1250	0,10	M_62a/98
	IGBT <sup>3</sup>						
	FF200R06KE3	600	200	1,45	680	0,22	M_62a/98
	FF300R06KE3	600	300	1,45	940	0,16	M_62a/98
	FF400R06KE3	600	400	1,45	1250	0,12	M_62a/98

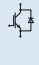
# 34 mm and 62 mm Modules

1200 V – Type							
Type	$V_{CES}$ V	$I_C$ A	$V_{CEsat}$ V $T_{vj}=25^\circ\text{C}$ typ.	$P_{tot}$ W	$R_{thJC}$ K/W $\leq$ per arm	Outline / page	
  Dual Modules	IGBT <sup>2</sup> Standard						
	BSM25GB120DN2	1200	25	2,50	200	0,6	M_34a/98
	BSM35GB120DN2	1200	35	2,70	280	0,44	M_34a/98
	BSM50GB120DN2	1200	50	2,50	400	0,3	M_34a/98
	BSM75GB120DN2	1200	75	2,50	625	0,2	M_34a/98
	BSM100GB120DN2K	1200	100	2,50	700	0,18	M_34a/98
	BSM100GB120DN2	1200	100	2,50	800	0,16	M_62a/98
	BSM150GB120DN2	1200	150	2,50	1250	0,1	M_62a/98
	BSM200GB120DN2	1200	200	2,50	1400	0,09	M_62a/98
	IGBT <sup>2</sup> Low Loss						
	BSM50GB120DLC	1200	50	2,10	460	0,27	M_34a/98
	BSM75GB120DLC	1200	75	2,10	690	0,18	M_34a/98
	BSM100GB120DLCK	1200	100	2,10	830	0,15	M_34a/98
	BSM100GB120DLC	1200	100	2,10	780	0,16	M_62a/98
	BSM150GB120DLC	1200	150	2,10	1200	0,1	M_62a/98
	BSM200GB120DLC	1200	200	2,10	1300	0,08	M_62a/98
	BSM300GB120DLC	1200	300	2,10	2500	0,05	M_62a/98
	IGBT <sup>3</sup>						
	FF150R12KE3G	1200	150	1,70	780	0,16	M_62a/98
	FF200R12KE3	1200	200	1,70	1040	0,12	M_62a/98
	FF300R12KE3	1200	300	1,70	1450	0,085	M_62a/98
	FF400R12KE3	1200	400	1,70	2000	0,062	M_62a/98
	IGBT <sup>3</sup> Fast						
	FF150R12KT3G	1200	150	1,70	780	0,16	M_62a/98
	FF200R12KT3	1200	200	1,70	1050	0,12	M_62a/98
	FF300R12KT3	1200	300	1,70	1450	0,085	M_62a/98
	FF400R12KT3	1200	400	1,70	2000	0,062	M_62a/98

## IGBT Medium Power Modules 34 mm and 62 mm Modules

1200 V – Type		V <sub>CES</sub> V	I <sub>C</sub> A	V <sub>CEsat</sub> V T <sub>vj</sub> =25°C typ.	P <sub>tot</sub> W	R <sub>thJC</sub> K/W ≤ per arm	Outline / page
Type							
 Dual Modules	IGBT <sup>2</sup> Fast						
	FF100R12KS4	1200	100	3,20	780	0,16	M_62a/98
	FF150R12KS4	1200	150	3,20	1200	0,10	M_62a/98
	FF200R12KS4	1200	200	3,20	1400	0,09	M_62a/98
	FF300R12KS4	1200	300	3,20	1950	0,06	M_62a/98
 GAL Chopper	IGBT <sup>2</sup> Standard						
	BSM50GAL120DN2	1200	50	2,50	400	0,30	M_34a/98
	BSM75GAL120DN2	1200	75	2,50	625	0,20	M_34a/98
	BSM100GAL120DN2	1200	100	2,50	800	0,16	M_62a/98
	BSM150GAL120DN2	1200	150	2,50	1250	0,10	M_62a/98
	BSM200GAL120DN2	1200	200	2,50	1400	0,09	M_62a/98
	IGBT <sup>2</sup> Low Loss						
	BSM100GAL120DLCK	1200	100	2,10	830	0,15	M_34a/98
	BSM150GAL120DLC	1200	150	2,10	1200	0,10	M_62a/98
	BSM200GAL120DLC	1200	200	2,10	1300	0,09	M_62a/98
	BSM300GAL120DLC	1200	300	2,10	2500	0,05	M_62a/98
	IGBT <sup>2</sup> Fast						
	FD300R12KS4	1200			data on request		M_62a/98
	IGBT <sup>3</sup>						
	FD200R12KE3	1200	200	1,70	1040	0,12	M_62a/98
FD300R12KE3	1200	300	1,70	1450	0,085	M_62a/98	
FD400R12KE3	1200	400	1,70	2000	0,062	M_62a/98	
 GAR Chopper	IGBT <sup>2</sup> Standard						
	BSM75GAR120DN2	1200	75	2,50	625	0,20	M_34a/98
	BSM100GAR120DN2	1200	100	2,50	800	0,16	M_62a/98
	BSM150GAR120DN2	1200	150	2,50	1250	0,10	M_62a/98
	BSM200GAR120DN2	1200	200	2,50	1400	0,09	M_62a/98
	IGBT <sup>2</sup> Low Loss						
	BSM300GAR120DLC	1200	300	2,10	2500	0,05	M_62a/98
	IGBT <sup>3</sup>						
	DF200R12KE3	1200	200	1,70	1040	0,12	M_62a/98
	DF300R12KE3	1200	300	1,70	1450	0,085	M_62a/98
◆ DF400R12KE3	1200	400	1,70	2000	0,062	M_62a/98	



## 34 mm and 62 mm Modules


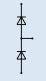
1200 V – Type		V <sub>CES</sub> V	I <sub>C</sub> A	V <sub>CEsat</sub> V T <sub>vj</sub> =25°C typ.	P <sub>tot</sub> W	R <sub>thJC</sub> K/W ≤	Outline / page
Type							
 Single Switches	IGBT <sup>2</sup> Standard						
	BSM200GA120DN2	1200	200	2,5	1550	0,08	M_62b/98
	BSM200GA120DN2S	1200	200	2,5	1550	0,08	M_62c/98
	BSM300GA120DN2	1200	300	2,5	2500	0,05	M_62b/98
	BSM300GA120DN2S	1200	300	2,5	2500	0,05	M_62c/98
	BSM400GA120DN2	1200	400	2,5	2700	0,045	M_62b/98
	BSM400GA120DN2S	1200	400	2,5	2700	0,045	M_62c/98
	IGBT <sup>2</sup> Low Loss						
	BSM200GA120DLC	1200	200	2,1	1470	0,09	M_62b/98
	BSM200GA120DLCS	1200	200	2,1	1470	0,09	M_62c/98
	BSM300GA120DLC	1200	300	2,1	2270	0,055	M_62b/98
	BSM300GA120DLCS	1200	300	2,1	2270	0,055	M_62c/98
	BSM400GA120DLC	1200	400	2,1	2500	0,05	M_62b/98
	BSM400GA120DLCS	1200	400	2,1	2500	0,05	M_62c/98
	BSM600GA120DLC	1200	600	2,1	3900	0,032	M_62b/98
	BSM600GA120DLCS	1200	600	2,1	3900	0,03	M_62c/98
	IGBT <sup>3</sup>						
	FZ300R12KE3G	1200	300	1,7	1450	0,085	M_62b/98
	FZ300R12KE3_B1G	1200	300	1,7	1450	0,085	M_62c/98
	FZ400R12KE3	1200	400	1,7	2250	0,055	M_62b/98
	FZ400R12KE3_B1	1200	400	1,7	2250	0,055	M_62c/98
	FZ600R12KE3	1200	600	1,7	2750	0,045	M_62b/98
	FZ600R12KE3_B1	1200	600	1,7	2750	0,045	M_62c/98
	FZ800R12KE3	1200	800	1,7	3550	0,035	M_62b/98
	IGBT <sup>2</sup> Fast						
FZ400R12KS4	1200	400	3,2	2500	0,05	M_62b/98	
FZ600R12KS4	1200	600	3,2	3900	0,03	M_62b/98	

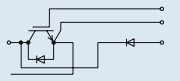
◆New type

# IGBT Medium Power Modules

## 34 mm and 62 mm Modules

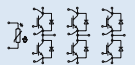
1700 V – Type							
Type	$V_{CES}$ V	$I_C$ A	$V_{CEsat}$ V $T_{vj}=25^\circ\text{C}$ typ.	$P_{tot}$ W	$R_{thJC}$ K/W $\leq$ per arm	Outline / page	
 Dual Modules	IGBT <sup>2</sup> Standard						
	BSM50GB170DN2	1700	50	3,40	500	0,25	M_34a/98
	BSM75GB170DN2	1700	75	3,40	625	0,20	M_34a/98
	BSM100GB170DN2	1700	100	3,40	1000	0,13	M_62a/98
	BSM150GB170DN2	1700	150	3,40	1250	0,10	M_62a/98
	IGBT <sup>2</sup> Low Loss						
	BSM100GB170DLC	1700	100	2,60	960	0,13	M_62a/98
	BSM150GB170DLC	1700	150	2,60	1250	0,10	M_62a/98
	BSM200GB170DLC	1700	200	2,60	1660	0,075	M_62a/98
	IGBT <sup>3</sup>						
FF200R17KE3	1700	200	2,00	1250	0,100	M_62a/98	
FF300R17KE3	1700	300	2,00	1470	0,085	M_62a/98	
 Single Switches	IGBT <sup>2</sup> Standard						
	BSM200GA170DN2	1700	200	3,40	1750	0,070	M_62b/98
	BSM200GA170DN2S	1700	200	3,40	1750	0,070	M_62c/98
	BSM300GA170DN2	1700	300	3,40	2500	0,050	M_62b/98
	BSM300GA170DN2S	1700	300	3,40	2500	0,050	M_62c/98
	IGBT <sup>2</sup> Low Loss						
	BSM200GA170DLC	1700	200	2,60	1920	0,065	M_62b/98
	BSM300GA170DLC	1700	300	2,60	2500	0,050	M_62b/98
	BSM400GA170DLC	1700	400	2,60	3120	0,040	M_62b/98
	IGBT <sup>3</sup>						
FZ400R17KE3	1700	400	2,00	2270	0,055	M_62b/98	
FZ600R17KE3	1700	600	2,00	3120	0,040	M_62b/98	

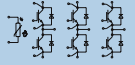
Diode Modules							
Type	$V_{CES}$ V	$I_F$ A	$V_F$ V $T_{vj}=25^\circ\text{C}$ typ.	$Q_R$ $\mu\text{As}$ typ	$R_{thJC}$ K/W $\leq$	Outline / page	
 Single Diodes	BYM300A120DN2						
	BYM300A170DN2						
	BYM600A170DN2						
	◆DZ800S17KE3	1700	800	data on request			M_62d/98
 Dual Diodes	BYM200B170DN2						
	BYM300B170DN2						

1200 V – Type							
Type	$V_{CES}$ V	$I_C$ A	$V_{CEsat}$ V $T_{vj}=25^\circ\text{C}$ typ.	$P_{tot}$ W	$R_{thJC}$ K/W $\leq$	Outline / page	
 Single Switches with Series Diode	◆FD400R12KE3_B5						
	◆FD300R12KS4_B5						

◆New type

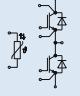
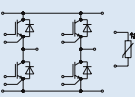
## IGBT Medium Power Modules EconoPACK™+


1200 V <sub>CES</sub>							
Type	V <sub>CES</sub> V	I <sub>C</sub> A	V <sub>CESat</sub> V T <sub>vj</sub> =25 °C typ.	E <sub>on</sub> /E <sub>off</sub> mWs T <sub>vj</sub> =125 °C typ.	R <sub>thJC</sub> K/W	Outline / page	
 SixPACK	IGBT <sup>3</sup>						
	FS150R12KE3G	1200	150	1,70	11/24	0,18	M_E+a/99
	FS225R12KE3	1200	225	1,70	15/36	0,11	M_E+a/99
	FS300R12KE3	1200	300	1,70	22/43	0,085	M_E+a/99
	FS450R12KE3	1200	450	1,70	33/65	0,06	M_E+a/99

1700 V <sub>CES</sub>							
Type	V <sub>CES</sub> V	I <sub>C</sub> A	V <sub>CESat</sub> V T <sub>vj</sub> =25 °C typ.	E <sub>on</sub> /E <sub>off</sub> mWs T <sub>vj</sub> =125 °C typ.	R <sub>thJC</sub> K/W	Outline / page	
 SixPACK	IGBT <sup>3</sup>						
	FS150R17KE3G	1700	150	2,00	48/47	0,12	M_E+a/99
	FS225R17KE3	1700	225	2,00	71,5/70,5	0,09	M_E+a/99
	FS300R17KE3	1700	300	2,00	95/94	0,075	M_E+a/99
	FS450R17KE3	1700	450	2,00	140/140	0,055	M_E+a/99


♦New type


## IGBT Medium Power Modules EconoDUAL™2 & EconoDUAL™3

1200 V <sub>CES</sub>							
Type	V <sub>CES</sub> V	I <sub>C</sub> A	V <sub>CESat</sub> V T <sub>vj</sub> =25 °C typ.	E <sub>on</sub> /E <sub>off</sub> mWs T <sub>vj</sub> =125 °C typ.	R <sub>thJC</sub> K/W	Outline / page	
 Dual Modules	IGBT <sup>3</sup>						
	FF150R12ME3G	1200	150	1,70	11/24	0,18	M_ED3/99
	FF225R12ME3	1200	225	1,70	15/36	0,11	M_ED3/99
	FF300R12ME3	1200	300	1,70	22/43	0,085	M_ED3/99
	FF450R12ME3	1200	450	1,70	33/65	0,06	M_ED3/99
	IGBT <sup>2</sup> Fast						
	♦ FF150R12MS4G	1200	150	data on request			M_ED3/99
	♦ FF225R12MS4	1200	225	data on request			M_ED3/99
	♦ FF300R12MS4	1200	300	data on request			M_ED3/99
	IGBT <sup>4</sup> Fast						
♦ FF100R12MT4	1200	100	data on request			M_ED2a/100	
♦ FF150R12MT4	1200	150	data on request			M_ED2a/100	
♦ FF200R12MT4	1200	200	data on request			M_ED2a/100	
 FourPACK	IGBT <sup>2</sup> Fast						
	♦ F4-50R12MS4	1200	50	data on request			M_ED2b/100
	♦ F4-75R12MS4	1200	75	data on request			M_ED2b/100

1700 V <sub>CES</sub>							
Type	V <sub>CES</sub> V	I <sub>C</sub> A	V <sub>CESat</sub> V T <sub>vj</sub> =25 °C typ.	E <sub>on</sub> /E <sub>off</sub> mWs T <sub>vj</sub> =125 °C typ.	R <sub>thJC</sub> K/W	Outline / page	
 Dual Modules	IGBT <sup>3</sup>						
	♦ FF150R17ME3G	1700	150	data on request			M_ED3/99
	♦ FF225R17ME3	1700	225	data on request			M_ED3/99
	♦ FF300R17ME3	1700	300	data on request			M_ED3/99
	♦ FF450R17ME3	1700	450	data on request			M_ED3/99

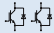
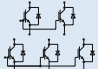
# IGBT High Power Modules PrimePACK™

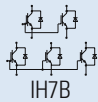
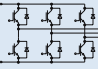
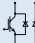
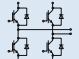
1200 V <sub>CES</sub>							
Type <sup>1)</sup>	V <sub>CES</sub> V	I <sub>c</sub> A	V <sub>CESat</sub> V T <sub>vj</sub> =25°C typ.	E <sub>on</sub> /E <sub>off</sub> mWs T <sub>vj</sub> =125°C typ.	R <sub>thJC</sub> K/W per arm	Outline / page	
 Half Bridge	IGBT <sup>2</sup>						
	FF450R12IE4	1200	450	data on request		H_PP2/101	
	FF600R12IE4	1200	600	data on request		H_PP2/101	
	FF900R12IP4	1200	900	data on request		H_PP2/101	
	FF1400R12IP4	1200	1400	data on request		H_PP3/101	

1700 V <sub>CES</sub>							
Type <sup>1)</sup>	V <sub>CES</sub> V	I <sub>c</sub> A	V <sub>CESat</sub> V T <sub>vj</sub> =25°C typ.	E <sub>on</sub> /E <sub>off</sub> mWs T <sub>vj</sub> =125°C typ.	R <sub>thJC</sub> K/W per arm	Outline / page	
 Half Bridge	IGBT <sup>2</sup>						
	FF450R17IE4	1700	450	2,0	180/120	0,054	H_PP2/101
	FF650R17IE4	1700	650	2,0	300/205	0,036	H_PP2/101
	FF1000R17IE4	1700	1000	2,0	390/295	0,024	H_PP3/101

<sup>1)</sup> valid for all PrimePACK™ part-no: T<sub>vj</sub> = 150°C, I<sub>CRM</sub> = 2xI<sub>c</sub>

## IGBT High Power Modules IHM

1200 V <sub>CES</sub>							
Type *)		V <sub>CES</sub> V	I <sub>c</sub> A	V <sub>CEsat</sub> V T <sub>vj</sub> =25°C typ.	E <sub>on</sub> /E <sub>off</sub> mWs T <sub>vj</sub> =125°C typ.	R <sub>thJC</sub> K/W per arm	Outline / page
	IGBT <sup>2</sup> Standard						
	FF400R12KF4	1200	400	2,70	70/60	0,046	H_IH2/101
	FF600R12KF4	1200	600	2,70	90/90	0,032	H_IH2/101
	FF800R12KF4	1200	800	2,70	130/120	0,025	H_IH2/101
	IGBT <sup>2</sup> Low Loss						
	FF400R12KL4C	1200	400	2,10	72/58	0,044	H_IH2/101
	FF600R12KL4C	1200	600	2,10	100/90	0,032	H_IH2/101
	FF800R12KL4C	1200	800	2,10	120/130	0,025	H_IH2/101
	IGBT <sup>3</sup>						
	FF600R12KE3	1200	600	1,70	120/95	0,044	H_IH2/101
	FF800R12KE3	1200	800	1,70	160/125	0,032	H_IH2/101
	FF1200R12KE3	1200	1200	1,70	245/190	0,025	H_IH2/101
Dual Modules							
	IGBT <sup>2</sup> Fast						
	FZ800R12KS4_B2	1200	800	3,20	76/58	0,017	H_IH1/102
	IGBT <sup>2</sup> Standard						
	FZ800R12KF4	1200	800	2,70	130/120	0,023	H_IH1/101
	FZ1050R12KF4	1200	1050	2,70	150/170	0,018	H_IH1/101
	FZ1200R12KF4	1200	1200	2,70	170/190	0,016	H_IH1/101
	FZ1600R12KF4	1200	1600	2,70	220/290	0,0125	H_IH1/101
	FZ1800R12KF4	1200	1800	2,70	250/330	0,011	H_IH7/103
	FZ2400R12KF4	1200	2400	2,70	310/410	0,0084	H_IH7/103
	IGBT <sup>2</sup> Low Loss						
	FZ800R12KL4C	1200	800	2,10	121/127	0,022	H_IH1/101
	FZ1200R12KL4C	1200	1200	2,10	165/195	0,016	H_IH1/101
	FZ1600R12KL4C	1200	1600	2,10	210/260	0,0125	H_IH1/101
	FZ1800R12KL4C	1200	1800	2,10	230/295	0,011	H_IH7/103
	FZ2400R12KL4C	1200	2400	2,10	320/400	0,0084	H_IH7/103
	IGBT <sup>3</sup>						
	FZ1200R12KE3	1200	1200	1,70	245/190	0,022	H_IH4/102
	FZ1600R12KE3	1200	1600	1,70	325/250	0,016	H_IH4/102
FZ2400R12KE3	1200	2400	1,70	490/380	0,0125	H_IH4/102	
FZ2400R12KE3_B9	1200	2400	1,70	490/380	0,011	H_IH7/103	
FZ3600R12KE3	1200	3600	1,70	735/570	0,008	H_IH7/103	
Single modules							

1200 V <sub>CES</sub>							
Type *)		V <sub>CES</sub> V	I <sub>c</sub> A	V <sub>CEsat</sub> V T <sub>vj</sub> =25°C typ.	E <sub>on</sub> /E <sub>off</sub> mWs T <sub>vj</sub> =125°C typ.	R <sub>thJC</sub> K/W per arm	Outline / Page
	IGBT <sup>2</sup> IHM-B Housing						
	◆ FZ1200R12HP4	1200	1200		data on request		H_IH4B/102
	◆ FZ1600R12HP4	1200	1600		data on request		H_IH4B/102
	◆ FZ2400R12HP4	1200	2400		data on request		H_IH4B/102
	◆ FZ2400R12HP4_B9	1200	2400		data on request		H_IH7B/102
	◆ FZ3600R12HP4	1200	3600		data on request		H_IH7B/102
	IGBT <sup>2</sup> Standard						
	FS300R12KF4	1200	300	2,70	80/45	0,064	H_IH8/103
	FS400R12KF4	1200	400	2,70	100/55	0,048	H_IH8/103
SixPACK Modules							
	IGBT <sup>2</sup> Standard						
	FD600R12KF4	1200	600	2,70	90/90	0,032	H_IH2/101
Chopper Modules							
	IGBT <sup>2</sup> Fast						
	F4-400R12KS4_B2	1200	400	3,20	38/29	0,042	H_IH5/102
FourPACK Modules							

◆ New type

All modules are UL recognized

# IGBT High Power Modules IHM

1600 + 1700 V <sub>CES</sub>							
Type *)	V <sub>CES</sub> V	I <sub>c</sub> A	V <sub>CEsat</sub> V T <sub>vj</sub> =25°C typ.	E <sub>on</sub> /E <sub>off</sub> mWs T <sub>vj</sub> =125°C typ.	R <sub>thJC</sub> K/W per arm	Outline / page	
Dual Modules	IGBT <sup>1</sup> Standard						
	FF400R16KF4	1600	400	3,30	170/90	0,040	H_IH2/101
	FF600R16KF4	1600	600	3,50	240/140	0,032	H_IH2/101
	IGBT <sup>3</sup>						
	FF600R17KE3	1700	600	2,00	185/210	0,034	H_IH2/101
	FF800R17KE3	1700	800	2,00	240/280	0,028	H_IH2/101
Single Modules	IGBT <sup>1</sup> Standard						
	FZ800R16KF4	1600	800	3,30	340/180	0,020	H_IH1/101
	FZ1200R16KF4	1600	1200	3,50	490/290	0,016	H_IH1/101
	FZ1800R16KF4	1600	1800	3,50	750/450	0,011	H_IH7/103
	IGBT <sup>3</sup>						
	FZ1200R17KE3	1700	1200	2,00	345/430	0,017	H_IH4/102
	FZ1600R17KE3	1700	1600	2,00	440/585	0,014	H_IH4/102
	FZ2400R17KE3	1700	2400	2,00	590/910	0,010	H_IH4/102
	FZ2400R17KE3_B9	1700	2400	2,00	610/920	0,009	H_IH7/103
	FZ3600R17KE3	1700	3600	2,00	745/1450	0,007	H_IH7/103
	IGBT <sup>4</sup> IHM B Housing						
	◆ FZ1200R17HP4 <sup>1)</sup>	1700	1200	data on request			H_IH4B/102
	◆ FZ1600R17HP4 <sup>1)</sup>	1700	1600	data on request			H_IH4B/102
	◆ FZ1800R17HP4 <sup>1)</sup>	1700	1800	data on request			H_IH7B/102
	◆ FZ2400R17HP4 <sup>1)</sup>	1700	2400	data on request			H_IH4B/102
◆ FZ2400R17HP4_B9 <sup>1)</sup>	1700	2400	data on request			H_IH7B/103	
◆ FZ3600R17HP4 <sup>1)</sup>	1700	3600	data on request			H_IH7B/103	
SixPACK Modules	IGBT <sup>2</sup> Standard						
	FS300R16KF4	1600	300	3,50	120/70	0,064	H_IH8/103
Chopper Modules	IGBT <sup>1</sup> Standard						
	FD400R16KF4	1600	400	3,30	170/90	0,040	H_IH2/101
	FD600R16KF4	1600	600	3,50	240/140	0,032	H_IH2/101
Chopper Modules	IGBT <sup>3</sup>						
	FD1200R17KE3-K	1700	1200	2,00	350/445	0,021	H_IH4/102

1700 V <sub>CES</sub>							
Type *)	V <sub>CES</sub> V	I <sub>c</sub> A	V <sub>CEsat</sub> V T <sub>vj</sub> =25°C typ.	E <sub>on</sub> /E <sub>off</sub> mWs T <sub>vj</sub> =125°C typ.	R <sub>thJC</sub> K/W per arm	Outline / page	
Dual Modules	IGBT <sup>2</sup> Low Loss						
	FF400R17KF6C_B2	1700	400	2,60	180/150	0,016	H_IH2/101
	FF401R17KF6C_B2	1700	400	2,60	190/150	0,04	H_IH9/103
	FF600R17KF6C_B2	1700	600	2,60	270/220	0,026	H_IH2/101
	FF800R17KF6C_B2	1700	800	2,60	290/335	0,02	H_IH2/101
	IGBT <sup>3</sup>						
	FF400R17KE3_B2	1700	400	2,00	125/145	0,049	H_IH9/103
	FF600R17KE3_B2	1700	600	2,00	185/220	0,029	H_IH2/101
	FF800R17KE3_B2	1700	800	2,00	240/295	0,024	H_IH2/101
	FF1200R17KE3_B2	1700	1200	2,00	350/445	0,019	H_IH2/101
Single Modules	IGBT <sup>2</sup> Low Loss						
	FZ800R17KF6C_B2	1700	800	2,60	300/325	0,02	H_IH1/101
	FZ1200R17KF6C_B2	1700	1200	2,60	330/480	0,013	H_IH1/101
	FZ1600R17KF6C_B2	1700	1600	2,60	430/670	0,01	H_IH1/101
	FZ1800R17KF6C_B2	1700	1800	2,60	570/725	0,009	H_IH7/103
	FZ2400R17KF6C_B2	1700	2400	2,60	750/1060	0,007	H_IH7/103
	IGBT <sup>3</sup>						
	FZ1200R17KE3_B2	1700	1200	2,00	350/445	0,014	H_IH4/102
	FZ1600R17KE3_B2	1700	1600	2,00	445/600	0,012	H_IH4/102
	FZ1800R17KE3_B2	1700	1800	2,00	490/680	0,01	H_IH7/103
	FZ2400R17KE3_B2	1700	2400	2,00	610/920	0,008	H_IH7/103
	FZ3600R17KE3_B2	1700	3600	2,00	790/1450	0,008	H_IH7/103
	IGBT <sup>3</sup> IHM B Housing						
	◆ FZ1200R17HP4_B2 <sup>1)</sup>	1700	1200	data on request			H_IH4B/102
	◆ FZ1600R17HP4_B2 <sup>1)</sup>	1700	1600	data on request			H_IH4B/102
◆ FZ1800R17HP4_B2 <sup>1)</sup>	1700	1800	data on request			H_IH7B/102	
◆ FZ2400R17HP4_B2 <sup>1)</sup>	1700	2400	data on request			H_IH7B/103	
◆ FZ3600R17HP4_B2 <sup>1)</sup>	1700	3600	data on request			H_IH7B/103	



...\_B2: Traction Module (AlSiC)

\*) valid for all part-no: T<sub>vj</sub> = 125°C, I<sub>CRM</sub> = 2xI<sub>c</sub>

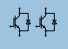
<sup>1)</sup> T<sub>vj</sub> = 150°C



## IGBT High Power Modules IHM






1700 V <sub>CES</sub>								
Type *)		V <sub>CES</sub> V	I <sub>C</sub> A	V <sub>CEsat</sub> V T <sub>vj</sub> =25°C typ.	E <sub>on</sub> /E <sub>off</sub> mWs T <sub>vj</sub> =125°C typ.	R <sub>thJC</sub> K/W per arm	Outline / page	
FD...	IGBT <sup>2</sup> Low Loss 	FD401R17KF6C_B2	1700	400	2,60	190/150	0,04	H_IH9/103
		FD600R17KF6C_B2	1700	600	2,60	270/220	0,026	H_IH2/101
		FD800R17KF6C_B2	1700	800	2,60	290/335	0,02	H_IH2/101
FD...-K	IGBT <sup>3</sup> 	FD1600/1200R17KF6C_B2	1700	1600	2,60	430/670	0,01	H_IH7/103
		FD600R17KE3_B2	1700	600	2,00	185/220	0,029	H_IH2/101
		FD800R17KE3_B2	1700	800	2,00	240/295	0,024	H_IH2/101
Chopper Modules		FD1200R17KE3-K_B2	1700	1200	2,00	350/445	0,019	H_IH4/102

## IGBT High Power Modules IHV

3300 V <sub>CES</sub>								
Type *)		V <sub>CES</sub> V	I <sub>C</sub> A	V <sub>CEsat</sub> V T <sub>vj</sub> =25°C typ.	E <sub>on</sub> /E <sub>off</sub> mWs T <sub>vj</sub> =125°C typ.	R <sub>thJC</sub> K/W per arm	Outline / page	
	IGBT <sup>2</sup> Standard	FF200R33KF2C	3300	200	3,40	480/255	0,057	H_IH9/103
		FF400R33KF2C	3300	400	3,40	960/510	0,026	H_IH6/102
Dual Modules								

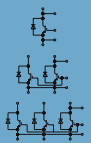

◆ New type  
...\_B2: Traction Module (AlSiC)

\*) valid for all part-no:  
T<sub>vj</sub> = 125°C, I<sub>CRM</sub> = 2xI<sub>C</sub>

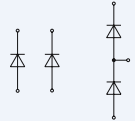
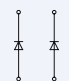
3300 V <sub>CES</sub>								
Type *)		V <sub>CES</sub> V	I <sub>C</sub> A	V <sub>CEsat</sub> V T <sub>vj</sub> =25°C typ.	E <sub>on</sub> /E <sub>off</sub> mWs T <sub>vj</sub> =125°C typ.	R <sub>thJC</sub> K/W per arm	Outline / page	
IH4 	IGBT <sup>2</sup> Standard	FZ800R33KF2C	3300	800	3,40	1920/1020	0,013	H_IH4/102
		FZ1200R33KF2C	3300	1200	3,40	2880/1530	0,0085	H_IH7/103
IH7 	IGBT <sup>2</sup> Low Loss	FZ800R33KL2C	3300	800	3,00	2250/1250	0,013	H_IH4/102
		FZ1200R33KL2C	3300	1200	3,00	3150/1900	0,085	H_IH7/103
Single Modules	High Insulation	FZ400R33KL2C_B5	3300	400	3,00	1200/600	0,026	H_IH10/104
		FZ800R33KL2C_B5	3300	800	3,00	2250/1250	0,013	H_IH11/104
		FZ1200R33KL2C_B5	3300	1200	3,00	3150/1900	0,0085	H_IH12/104
FD... 	IGBT <sup>2</sup> Standard	FD400R33KF2C	3300	400	3,40	730/510	0,026	H_IH4/102
		FD800R33KF2C	3300	800	3,40	1450/1000	0,013	H_IH7/103
FD...-K 	IGBT <sup>2</sup> Standard	FD400R33KF2C-K	3300	400	3,40	730/510	0,026	H_IH4/102
		FD800R33KF2C-K	3300	800	3,40	1450/1000	0,013	H_IH4/102
Chopper Modules		FD800R33KL2C-K_B5	3300	800	3,40	2250/1250	0,013	H_IH12/104
IH4B 	IGBT <sup>3</sup>	◆ FZ1000R33HE3 <sup>1</sup>	3300	1000		on request		H_IH4B/102
		◆ FZ1500R33HE3 <sup>1</sup>	3300	1500		on request		H_IH7B/103
		◆ FZ1000R33HL3 <sup>1</sup>	3300	1000	2,4	2150/1950	0,013	H_IH4B/102
		◆ FZ1500R33HL3 <sup>1</sup>	3300	1500	2,4	3200/2950	0,0085	H_IH7B/103
Single Modules								

<sup>1</sup> T<sub>vj</sub> = 150°C

# IGBT High Power Modules IHV

6500 V <sub>CES</sub>							
Type *)	V <sub>CES</sub> V	I <sub>C</sub> A	V <sub>CESat</sub> V T <sub>vj</sub> =25°C typ.	E <sub>on</sub> /E <sub>off</sub> mWs T <sub>vj</sub> =125°C typ.	R <sub>thJC</sub> K/W per arm	Outline / page	
 Single Modules	IGBT <sup>†</sup> Standard						
	FZ200R65KF1	6500	200	4,30	1900/1200	0,033	H_IH10/102
	FZ400R65KF1	6500	400	4,30	4000/2300	0,017	H_IH11/102
	FZ600R65KF1	6500	600	4,30	5900/3500	0,011	H_IH12/102
 Chopper Modules	IGBT <sup>†</sup> Standard						
	FD200R65KF1-K	6500	200	4,30	1900/1200	0,033	H_IH11/102
	FD400R65KF1-K	6500	400	4,30	4000/2300	0,017	H_IH12/102




# High Power Diode Modules

Diode Modules						
Type *)	V <sub>RRM</sub> V	I <sub>F</sub> A	Q <sub>r</sub> μAs T <sub>vj</sub> =125°C typ.	R <sub>thJC</sub> K/W per arm	Outline / page	
 Diode Modules	Standard					
	DD400S16K4	1600	400	40	0,10	H_IH1/101
	DD600S16K4	1600	600	60	0,08	H_IH1/101
	DD400S17K6C_B2	1700	400	145	0,016	H_IH1/101
	DD800S17K6C_B2	1700	800	265	0,034	H_IH1/101
	DZ2400S17K6C_B2	1700	2400	750	0,012	H_IH7/103
	DD600S17K3_B2	1700	600	260	0,051	H_IH4/102
	DD800S17K3_B2	1700	800	345	0,043	H_IH4/102
	DZ3600S17K3_B2	1700	3600	1450	0,014	H_IH7/103
	Standard					
	DD200S33K2C	3300	200	220	0,108	H_IH9/102
	DD400S33K2C	3300	400	440	0,051	H_IH4/102
	DD800S33K2C	3300	800	900	0,025	H_IH4/102
	DD1200S33K2C	3300	1200	1300	0,017	H_IH4/102
Diode Modules	Low Loss					
	DD400S33KL2C	3300	400	480	0,054	H_IH9/103
	DD1200S33KL2C_B5	3300	1200	1450	0,017	H_IH11/104
 Diode Modules	Standard					
	DD200S65K1	6500	200	350	0,063	H_IH11/104
	DD400S65K1	6500	400	700	0,032	H_IH11/104
	DD600S65K1	6500	600	1050	0,021	H_IH11/104

...\_B5: 6.5kV housing / 10.2kV insulation

\*) valid for all part-no: T<sub>vj</sub> = 125°C, I<sub>CRM</sub> = 2xI<sub>C</sub>

## EICEDRIVER™ ICs

	Type	Isolation Technology	Channels	IGBT max $V_{CE}$ V	Input Logic Level	Driver Supply Voltage V	$I_{OUT}$ A	Typ. Deadtime HS - LS	Solder Temperature *	Outline / page
	1ED020112-S	Coreless Transformer	1	1200 V	CMOS (5 V)	0/+15 or -8/+15	+2/-2	n.a.	260°C MSL3	PG-DSO-16/124
	2ED020112-FI	Coreless Transformer	2	1200 V	TTL/ CMOS (5 V)	0/+18	+1/-2	No	260°C MSL3	PG-DSO-18/123
	6ED003L06-F	Thin-film SOI	6	600 V	TTL/ CMOS (5 V)	0/+17,5	typ. +0,15/-0,44	325 ns	260°C MSL3	PG-DSO-28/124

Datasheets available under [www.infineon.com/gatedriver](http://www.infineon.com/gatedriver)

\* according to JEDEC-standard J-STD-020C

### Technical Features 1ED020112-S

- Single Channel isolated IGBT Driver
- For 600 V / 1200 V IGBTs
- 2 A rail-to-rail output
- $V_{CESat}$ -detection
- Two-level-turn-off
- Active Miller Clamp
- RoHS-compliant

### Technical Features 2ED020112-FI

- Matched propagation delay for both channels
- Floating channel designed for direct supply and bootstrap operation
- Tolerant to negative transient voltage
- Undervoltage lockout for both channels
- 3.3 V and 5 V TTL compatible inputs
- CMOS Schmitt-triggered inputs with pull-down
- Non-inverting inputs
- Interlocking inputs
- Dedicated shutdown input with pull-up
- RoHS-compliant

### Technical Features 6ED003L06-F

- Insensitivity of the bridge output to negative transient voltages down to -50V as a result of SOI technology
- Power supply of the high-side drivers via bootstrap
- CMOS- and LSTTL-compatible input (inverted logic)
- Signal interlocking of every phase to prevent cross-conduction
- Overcurrent protection
- Undervoltage lockout
- "Shutdown" of all switches during error conditions
- Programmable restart after overcurrent detection
- RoHS-compliant

# EICEDRIVER™ Boards

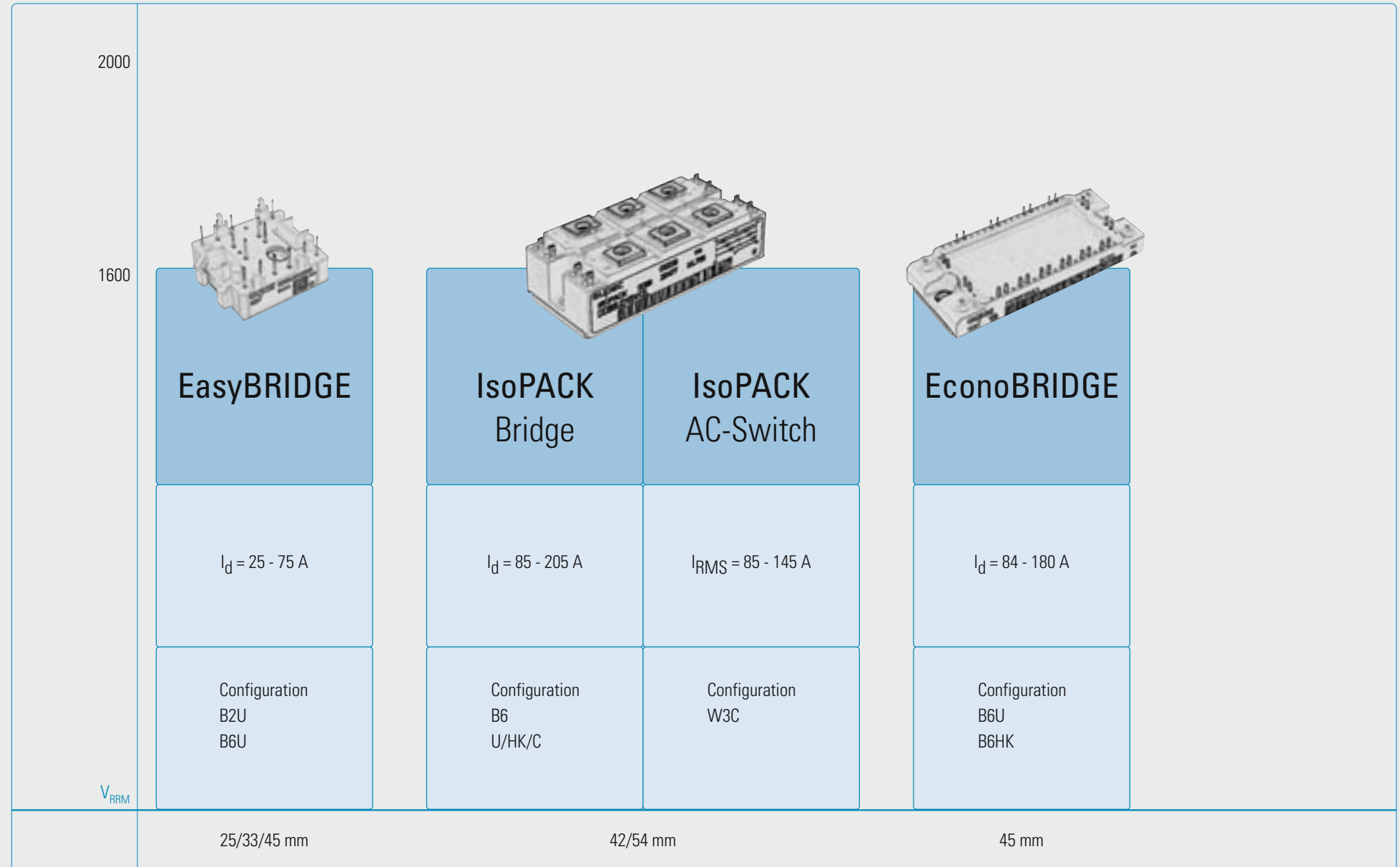
	Type	Channels	Control Interface	IGBT max. $V_{CE}$ V	$V_{ISO}$ V	$I_{GM}$ A	$P_{OUT}$ W	size mm-mm	mounting by	for modules	Outline / page
	2ED300C17-S	2	E	1700	*	±30	7	60,5 - 72	soldering	EconoPACK™+, 62 mm, IHM	123
	2ED300C17-ST	2	E	1700	*	±30	7	60,5 - 72	soldering	EconoPACK™+, 62 mm, IHM	123

\* Datasheets available under [www.infineon.com/powersemiconductors](http://www.infineon.com/powersemiconductors)

## Technical features 2ED300C17-S / 2ED300C17-ST

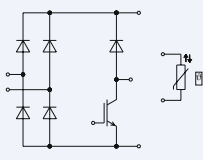
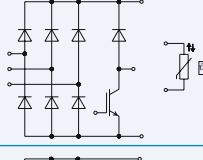
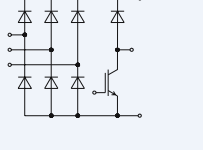
- Failure output
- Half-bridge – or direct mode can be adjusted
- Interlocking against each other and dead time generation in half-bridge mode
- Low-resistance and therefore noise-immune 15V PWM signal input
- + 15V signal processing (15V logic)
- Minimum pulse suppression 400 ns
- Reset input and PWM reset
- Dynamic over-current detection (DOCD) by monitoring the saturation voltage
- “Soft shut down” in case of failure shutdown
- External detected failure analysis (EDFA)
- ± 15V logic (high noise immunity)
- Additional ± 16V supply outputs

## Overview Bridge Rectifier, AC-Switches



# IGBT Low Power Modules

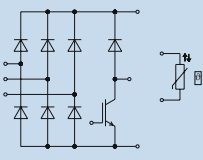
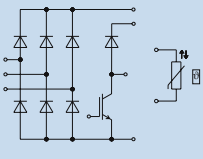
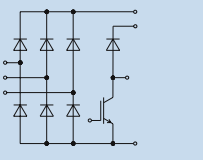
## EasyBRIDGE

800 V										Outline / page
Type	Type	$V_{RRM}$ V	$I_d$ A	Rectifier Diodes			$V_{CE}$ V	Brake Chopper		Outline / page
				$R_{thJC}$ K/W max.	$V_{10}$ V $T_{vj} = 150^\circ\text{C}$	$r_t$ $m\Omega$		$I_C^*$ A $T_C = 80^\circ\text{C}$	$R_{thJC}$ K/W max.	
	single phase DDB2U30N08VR	800	48	1,30	0,75	6,95	600	20	1,50	L_750d/105
	three phase DDB6U30N08VR	800	30	1,80	0,85	8,30	600	20	1,50	L_750e/105
	three phase DDB6U50N08XR	800	50	1,20	0,75	6,95	600	30	1,05	L_1c/105

\* as specified in data sheet

## IGBT Low Power Modules

### EasyBRIDGE

1600 V											
Type		Rectifier Diodes					Brake Chopper			Outline / page	
		$V_{RRM}$ V	$I_d$ A	$R_{thJC}$ K/W max.	$V_{10}$ V $T_{vj} = 150^\circ\text{C}$	$r_t$ m $\Omega$	$V_{CE}$ V	$I_C^*$ A $T_C = 80^\circ\text{C}$	$R_{thJC}$ K/W max.		
	three phase DDB6U25N16VR	1600	30	1,55	0,76	7,60	1200	15	1,45	L_750e/105	
	three phase DDB6U75N16YR	1600	65	0,90	0,83	3,90	1200	50	0,55	L_2i/105	
	three phase DDB6U40N16XR	1600	50	0,90	0,80	4,35	1200	25	0,90	L_1c/105	

\* as specified in data sheet

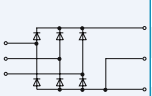
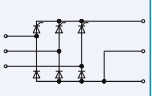
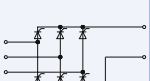


# EconoBRIDGE™ Rectifier

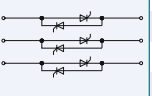
		Type	$V_{DRM}, V_{RRM}$	$I_{FRMSM}$	$I_{FSM}$	$I_g/T_c$	$V_{(TO)}$	$r_T$	$R_{thJC}$	$T_{vj\ max}$	Brake IGBT		Outline / page
			V	( $I_{TRMSM}$ )	( $I_{TSM}$ )	A/°C	V	mΩ	°C/W	°C	$V_{CES}$	$I_C$	
			$V_{DSM} = V_{DRM}$ $V_{RSM} = V_{RRM} + 100V$	A	A 10 ms, $T_{vj\ max}$		$T_{vj} = T_{vj\ max}$	$T_{vj} = T_{vj\ max}$	per arm 120° el. Square wave				
3 phase bridge rectifier, uncontrolled		DD B6U 100 N 16 R	1600	60	550	100/100	0,75	5,50	1,15	150			M_E2g/106
		DD B6U 144 N 16 R	1600	100	1000	145/100	0,75	3,10	0,89	150			M_E2g/106
3 phase bridge rectifier, uncontrolled with brake chopper		DD B6U 84 N 16 RR	1600	60	550	85/100	0,75	5,50	1,45	150	1200	50	M_E2h/106
		DD B6U 100 N 16 RR	1600	60	550	100/100	0,75	5,50	1,15	150	1200	50	M_E2h/106
3 phase bridge rectifier, uncontrolled with brake chopper and NTC		DD B6U 104 N 16 RR	1600	60	550	105/100	0,75	5,50	1,08	150	1200	50	M_E2j/106
		DD B6U 134 N 16 RR	1600	80	550	134/100	0,75	6,30	0,7	150	1200	70	M_E2j/106
3 phase bridge rectifier, halfcontrolled with brake chopper and NTC		TD B6HK 124 N 16 RR	1600	70	550	125/85	0,75	6,30	0,63	125	1200	70	M_E2i/106
3 phase bridge rectifier, halfcontrolled with brake chopper ( PressFIT )		TD B6HK 180 N 16 RR_B11	1600										data on request

EconoBRIDGE™ Rectifiers are UL recognized

## IsoPACK™ Bridge Rectifier

		Type	$V_{DRM}, V_{RRM}$ V $V_{DSM} = V_{DRM}$ $V_{RSM} = V_{RRM} + 100V$	$I_{FRMSM}$ ( $I_{TRMSM}$ ) A	$I_{FSM}$ ( $I_{TSM}$ ) A 10 ms, $T_{vj\ max}$	$I_d/T_c$ A/°C	$V_{(TO)}$ V $T_{vj} = T_{vj\ max}$	$r_T$ mΩ $T_{vj} = T_{vj\ max}$	$R_{thJC}$ °C/W per arm 120° el Square wave	$T_{vj\ max}$ °C	Outline / page
3 phase bridge rectifier, uncontrolled		DD B6U 85 N <sup>1)</sup>	1600	60	550	85/100	0,75	5,50	1,45	150	M_1Pa/107
		DD B6U 145 N <sup>1)</sup>	1600	100	1000	145/100	0,75	3,10	0,89	150	M_1Pa/107
		DD B6U 205 N <sup>1)</sup>	1600	120	1375	205/100	0,75	2,20	0,59	150	M_1Pa/107
3 phase bridge rectifier, half controlled		TD B6HK 95 N <sup>2)</sup>	1600	75	620	95/85	0,95	5,50	0,82	125	M_1Pb/107
		TD B6HK 135 N <sup>2)</sup>	1600	100	870	135/85	0,95	4,30	0,59	125	M_1Pb/107
		TD B6HK 165 N <sup>2)</sup>	1600	120	1050	165/85	0,95	3,20	0,49	125	M_1Pb/107
3 phase bridge rectifier, fully controlled		TT B6C 95 N <sup>2)</sup>	1600	75	620	95/85	0,95	5,50	0,82	125	M_1Pb/107
		TT B6C 135 N <sup>2)</sup>	1600	100	870	135/85	0,95	4,30	0,59	125	M_1Pb/107
		TT B6C 165 N <sup>2)</sup>	1600	120	1050	165/85	0,95	3,20	0,49	125	M_1Pb/107

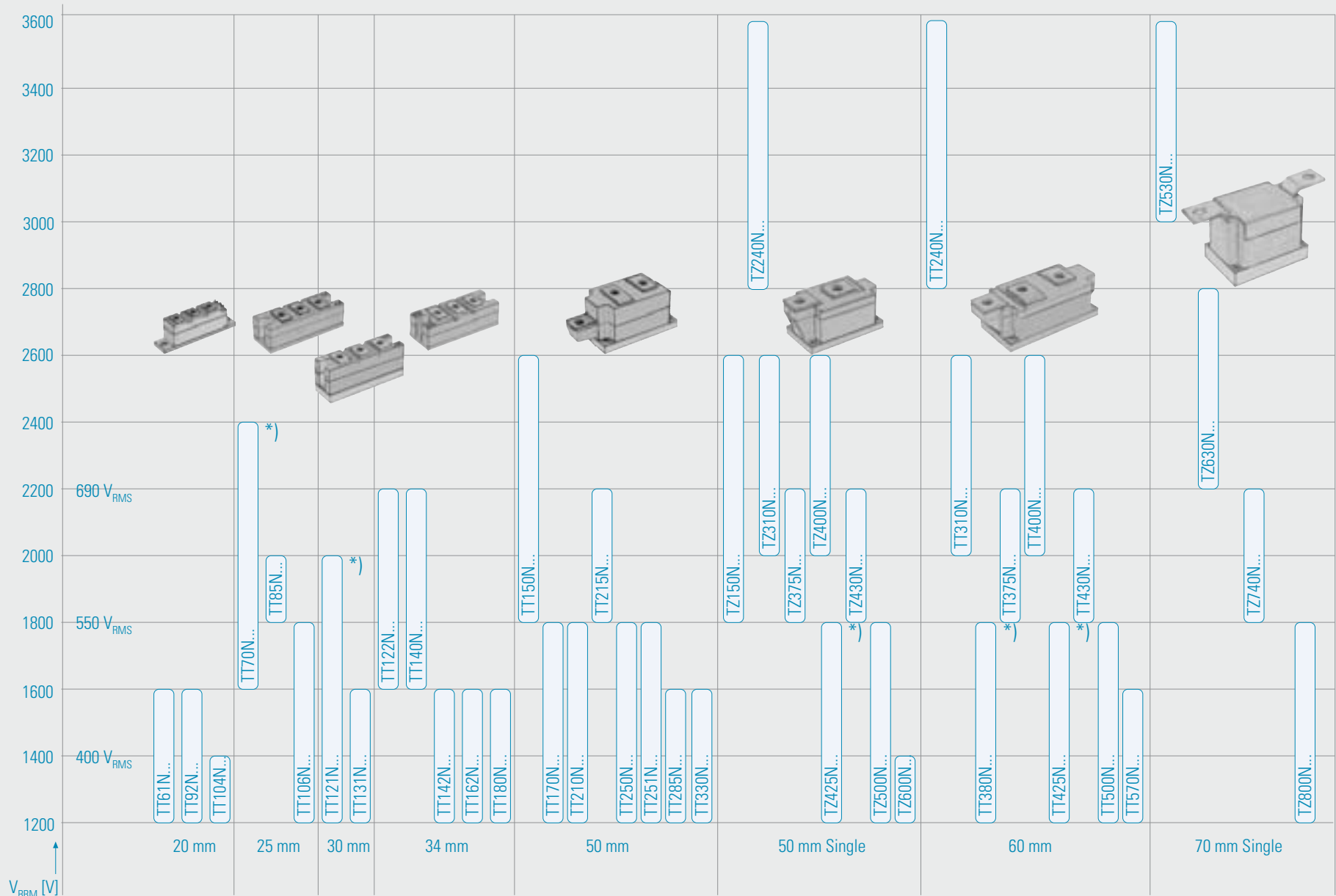
## IsoPACK™ AC-Switches

		Type	$V_{DRM}, V_{RRM}$ V $V_{DSM} = V_{DRM}$ $V_{RSM} = V_{RRM} + 100V$	$I_{FRMSM}$ ( $I_{TRMSM}$ ) A	$I_{FSM}$ ( $I_{TSM}$ ) A 10 ms, $T_{vj\ max}$	$I_{RMS}/T_c$ A/°C	$V_{(TO)}$ V $T_{vj} = T_{vj\ max}$	$r_T$ mΩ $T_{vj} = T_{vj\ max}$	$R_{thJC}$ °C/W per arm 180° el Sinus	$T_{vj\ max}$ °C	Outline / page
3 phase AC-Switches, fully controlled		TT W3C 85 N <sup>2)</sup>	1600	75	620	85/85	0,95	5,50	0,70	125	M_1Pb/107
		TT W3C 115 N <sup>2)</sup>	1600	100	870	115/85	0,95	4,30	0,50	125	M_1Pb/107
		TT W3C 145 N <sup>2)</sup>	1600	120	1050	145/85	0,95	3,20	0,42	125	M_1Pb/107

IsoPACK™ modules are UL recognized

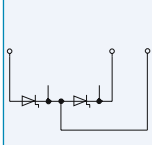
Sets of screws will be included at customer's request at no cost. Requests must be made at time of order.

# Overview PowerBLOCK Thyristor Modules for Phase Control



\*) highest Voltage on request

## PowerBLOCK Thyristor Modules for Phase Control

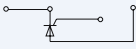
	Type	$V_{DRM}$	$I_{TRMSM}$	$I_{TSM}$	$J^2dt$	$I_{TAVM}/T_c$	$V_{(TO)}$	$r_T$	$(di/dt)_{cr}$	$t_q$	$(dv/dt)_{cr}$	$R_{thJC}$	$R_{thCK}$	$T_{vj,max}$	Outline / page
		$V_{RRM}$ V $V_{DSM} = V_{DRM}$ $V_{RSM} = V_{RRM} + 100$ V													
Baseplate = 20 mm	TT 61 N	1200 ... 1600	120	1400	9,80	60/85	0,80	3,40	150	120	F = 1000	0,520	0,16	125	TP20/108
	TT 92 N	1200 ... 1600	160	1800	16,20	92/85	0,85	2,15	150	150	F = 1000	0,370	0,10	130	TP20/108
	TT 104 N	1200 ... 1400	160	1800	16,20	104/85	0,85	2,15	150	150	F = 1000	0,370	0,10	140	TP20/108
Baseplate = 25 mm	TT 70 N	1600 ... 2400*	150	1450	10,50	70/85	1,00	3,80	100	300	F = 1000	0,350	0,08	125	TP25/108
	TT 85 N	1800 ... 2000	180	2000	20,00	85/85	0,90	2,60	150	150	F = 1000	0,330	0,08	125	TP25/108
	TT 106 N	1200 ... 1800	180	2000	20,00	106/85	0,90	2,60	150	150	F = 1000	0,330	0,08	140	TP25/108
Baseplate = 30 mm	TT 121 N	1200 ... 2000*	200	2350	27,60	121/85	0,85	2,00	150	180	F = 1000	0,230	0,06	125	TP30/108
	TT 131 N	1200 ... 1600	220	3200	51,20	131/85	0,85	1,50	150	180	F = 1000	0,230	0,06	125	TP30/108
Baseplate = 34 mm	TT 122 N	1600 ... 2200	220	2950	43,50	122/85	1,00	2,15	100	300	F = 1000	0,200	0,06	125	TP34/108
	TT 140 N	1600 ... 2200	250	3200	51,20	140/85	0,90	1,75	150	300	F = 1000	0,190	0,06	125	TP34/108
	TT 142 N	1200 ... 1600	230	4100	84,00	142/85	0,90	1,10	150	200	F = 1000	0,220	0,06	125	TP34/108
	TT 162 N	1200 ... 1600	260	4400	97,00	162/85	0,85	0,95	150	200	F = 1000	0,200	0,06	125	TP34/108
	TT 180 N	1200 ... 1600	285	4100	84,00	180/85	0,85	0,90	150	200	F = 1000	0,200	0,06	130	TP34/108
Baseplate = 50 mm	TT 150 N	1800 ... 2600	350	4000	80,00	150/85	1,20	2,30	60	300	F = 1000	0,130	0,04	125	TP50/108
	TT 170 N	1200 ... 1800	350	4600	106,00	170/85	0,95	1,00	150	250	F = 1000	0,170	0,04	125	TP50/108
	TT 210 N	1200 ... 1800	410	5800	168,00	210/85	1,00	0,85	150	200	F = 1000	0,130	0,04	125	TP50/108
	TT 215 N	1800 ... 2200	410	6300	198,00	215/85	0,95	0,92	100	300	F = 1000	0,130	0,04	125	TP50/108
	TT 250 N	1200 ... 1800	410	7000	245,00	250/85	0,80	0,70	150	250	F = 1000	0,130	0,04	125	TP50/108
	TT 251 N	1200 ... 1800	410	8000	320,00	250/85	0,80	0,70	250	250	F = 1000	0,130	0,04	125	TP50/108
	TT 285 N	1200 ... 1600	450	8000	320,00	285/92	0,80	0,70	250	250	F = 1000	0,117	0,04	135	TP50/108
	TT 330 N	1200 ... 1600	520	8000	320,00	330/85	0,80	0,60	250	250	F = 1000	0,117	0,04	135	TP50/108
Baseplate = 60 mm	TT 240 N	2800 ... 3600	700	5500	151,00	240/85	1,17	1,70	100	350	F = 1000	0,078	0,02	125	TP60/108
	TT 310 N	2000 ... 2600	700	9000	405,00	310/85	1,00	0,86	120	300	F = 1000	0,078	0,02	125	TP60/108
	TT 375 N	1800 ... 2200	900	10600	561,00	375/85	0,85	0,56	120	300	F = 1000	0,078	0,02	125	TP60/108
	TT 380 N	1200 ... 1800	800	11000	605,00	380/85	1,00	0,38	120	250	F = 1000	0,078	0,02	125	TP60/108
	TT 400 N	2000 ... 2600	800	11000	605,00	400/85	1,00	0,50	150	300	F = 1000	0,065	0,02	125	TP60/108
	TT 425 N	1200 ... 1800	800	12500	781,00	425/85	0,90	0,30	120	250	F = 1000	0,078	0,02	125	TP60/108
	TT 430 N	1800 ... 2200	800	12000	720,00	430/85	0,95	0,45	150	300	F = 1000	0,065	0,02	125	TP60/108
	TT 500 N	1200 ... 1800	900	14500	1051,00	500/85	0,90	0,27	200	250	F = 1000	0,065	0,02	125	TP60/108
TT 570 N	1200 ... 1600	900	14000	980,00	570/87	0,90	0,27	200	250	F = 1000	0,065	0,02	135	TP60/108	

PowerBLOCK modules are UL recognized

Common anode or cathode on request

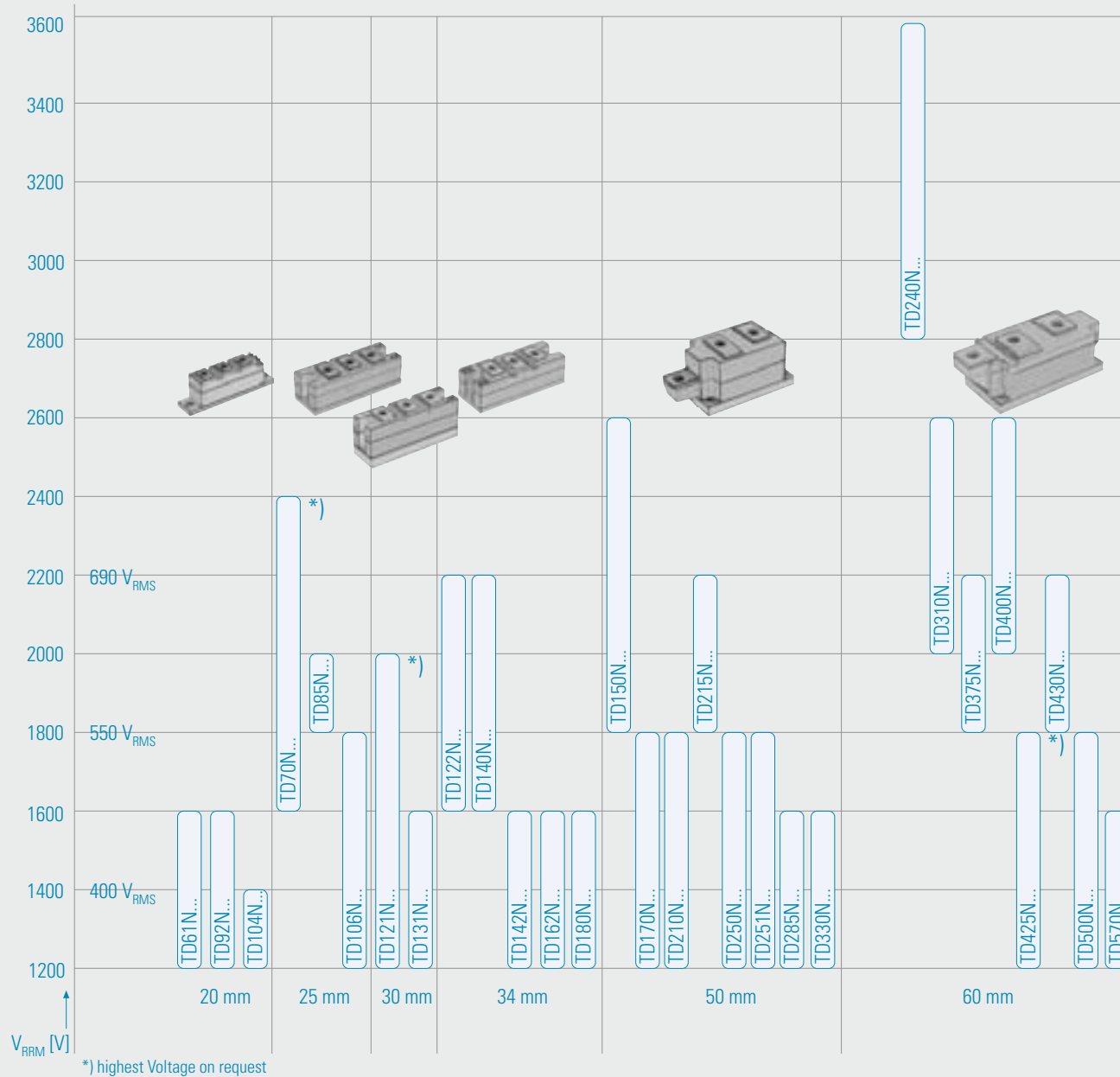
\* Highest voltage on request

# PowerBLOCK Single Thyristor Modules for Phase Control

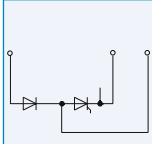
	Type	$V_{DRM}$	$I_{TRMSM}$ A	$I_{TSM}$ A	$\int i^2 dt$ $A^2s \cdot 10^3$	$I_{TAVM}/T_c$ $A/^\circ C$	$V_{(TO)}$ V	$r_T$ $m\Omega$	$(di/dt)_{cr}$ $A/\mu s$	$t_q$ $\mu s$	$(dv/dt)_{cr}$ $V/\mu s$	$R_{thJC}$ $^\circ C/W$	$R_{thCK}$ $^\circ C/W$	$T_{vj,max}$ $^\circ C$	Outline / page
		$V_{RRM}$ V $V_{DSM} = V_{DRM}$ $V_{RSM} = V_{RRM} + 100$ V													
Baseplate = 50 mm	TZ 150 N	1800 ... 2600	350	4000	80	150/85	1,20	2,30	60	300	F = 1000	0,130	0,04	125	TP50.1/108
	TZ 240 N	2800 ... 3600	700	5500	151	240/85	1,17	1,70	100	350	F = 1000	0,078	0,02	125	TP50.1/108
	TZ 310 N	2000 ... 2600	700	8000	320	310/85	1,00	0,86	120	300	F = 1000	0,078	0,02	125	TP50.1/108
	TZ 375 N	1800 ... 2200	1050	10600	561	375/85	0,85	0,56	120	300	F = 1000	0,078	0,02	125	TP50.1/108
	TZ 400 N	2000 ... 2600	1050	11000	605	400/85	1,00	0,50	150	300	F = 1000	0,065	0,02	125	TP50.1/108
	TZ 425 N	1200 ... 1800	800	12500	781	425/85	0,90	0,30	120	250	F = 1000	0,078	0,02	125	TP50.1/108
	TZ 430 N	1800 ... 2200	1050	12000	720	430/85	0,95	0,45	150	300	F = 1000	0,065	0,02	125	TP50.1/108
	TZ 500 N	1200 ... 1800	1050	14500	1051	500/85	0,90	0,27	200	250	F = 1000	0,065	0,02	125	TP50.1/108
TZ 600 N	1200 ... 1600	1050	14000	980	600/85	0,90	0,27	200	250	F = 1000	0,065	0,02	135	TP50.1/108	
Baseplate = 70 mm	TZ 530 N	3000 ... 3600	1500	20000	2000	530/85	1,05	0,49	80	400	F = 1000	0,045	0,01	125	TP70/109
	TZ 630 N	2200 ... 2800	1500	23000	2650	630/85	0,95	0,37	150	400	F = 1000	0,042	0,01	125	TP70/109
	TZ 740 N	1800 ... 2200	1500	26500	3500	740/85	0,90	0,21	200	350	F = 1000	0,042	0,01	125	TP70/109
	TZ 800 N	1200 ... 1800	1500	30000	4500	800/85	0,85	0,17	200	240	F = 1000	0,042	0,01	125	TP70/109

PowerBLOCK modules are UL recognized

## Overview PowerBLOCK Thyristor/Diode Modules for Phase Control



# PowerBLOCK Thyristor/Diode Modules for Phase Control

	Type	$V_{DRM}$ $V_{RRM}$ V $V_{DSM} = V_{DRM}$ $V_{RSM} =$ $V_{RRM} + 100$ V	$I_{TRMSM}$ A	$I_{TSM}$ A 10 ms, $T_{vj\ max}$	$\int i^2 dt$ $A^2s \cdot 10^3$ 10 ms, $T_{vj\ max}$	$I_{TAVM}/T_c$ $A/^\circ C$ 180° el sin	$V_{(TO)}$ V $T_{vj} = T_{vj\ max}$	$r_T$ $m\Omega$ $T_{vj} = T_{vj\ max}$	$(di/dt)_{cr}$ $A/\mu s$ DIN IEC 747 - 6	$t_q$ $\mu s$ typ.	$(dv/dt)_{cr}$ $V/\mu s$ DIN IEC 747 - 6	$R_{thJC}$ $^\circ C/W$ 180° el sin	$R_{thCK}$ $^\circ C/W$	$T_{vj\ max}$ $^\circ C$	Outline / page
Baseplate = 20 mm	TD 61 N	1200 ... 1600	120	1400	9,80	60/85	0,80	3,40	150	120	F = 1000	0,52	0,16	125	TP20/105
	TD 92 N	1200 ... 1600	160	1800	16,20	92/85	0,85	2,15	150	150	F = 1000	0,37	0,1	130	TP20/ 105
	TD 104 N	1200 ... 1400	160	1800	16,20	104/85	0,85	2,15	150	150	F = 1000	0,37	0,1	140	TP20/ 105
Baseplate = 25 mm	TD 70 N	1600 ... 2400*	150	1450	10,50	70/85	1,00	3,80	100	300	F = 1000	0,35	0,08	125	TP25/ 105
	TD 85 N	1800 ... 2000	180	2000	20,00	85/85	0,90	2,60	150	150	F = 1000	0,33	0,08	125	TP25/ 105
	TD 106 N	1200 ... 1800	180	2000	20,00	106/85	0,90	2,60	150	150	F = 1000	0,33	0,08	140	TP25/ 105
Baseplate = 30 mm	TD 121 N	1200 ... 2000*	200	2350	27,60	121/85	0,85	2,00	150	180	F = 1000	0,23	0,06	125	TP30/108
	TD 131 N	1200 ... 1600	220	3200	51,20	131/85	0,85	1,5	150	180	F = 1000	0,23	0,06	125	TP30/108
Baseplate = 34 mm	TD 122 N	1600 ... 2200	220	2950	43,50	122/85	1,00	2,15	100	300	F = 1000	0,20	0,06	125	TP34/108
	TD 140 N	1600 ... 2200	250	3200	51,20	140/85	0,90	1,75	150	300	F = 1000	0,19	0,06	125	TP34/108
	TD 142 N	1200 ... 1600	230	4100	84,00	142/85	0,90	1,10	150	200	F = 1000	0,22	0,06	125	TP34/108
	TD 162 N	1200 ... 1600	260	4400	97,00	162/85	0,85	0,95	150	200	F = 1000	0,20	0,06	125	TP34/108
	TD 180 N	1200 ... 1600	285	4100	84,00	180/85	0,85	0,90	150	200	F = 1000	0,20	0,06	130	TP34/108
Baseplate = 50 mm	TD 150 N	1800 ... 2600	350	4000	80,00	150/85	1,20	2,30	60	300	F = 1000	0,13	0,04	125	TP50/108
	TD 170 N	1200 ... 1800	350	4600	106,00	170/85	0,95	1,00	150	250	F = 1000	0,17	0,04	125	TP50/108
	TD 210 N	1200 ... 1800	410	5800	168,00	210/85	1,00	0,85	150	200	F = 1000	0,13	0,04	125	TP50/108
	TD 215 N	1800 ... 2200	410	6300	198,00	215/85	0,95	0,92	100	300	F = 1000	0,13	0,04	125	TP50/108
	TD 250 N	1200 ... 1800	410	7000	245,00	250/85	0,80	0,70	150	250	F = 1000	0,13	0,04	125	TP50/108
	TD 251 N	1200 ... 1800	410	8000	320,00	250/85	0,80	0,70	250	250	F = 1000	0,13	0,04	125	TP50/108
	TD 285 N	1200 ... 1600	450	8000	320,00	285/92	0,80	0,70	250	250	F = 1000	0,117	0,04	135	TP50/108
	TD 330 N	1200 ... 1600	520	8000	320,00	330/85	0,80	0,60	250	250	F = 1000	0,117	0,04	135	TP50/108
Baseplate = 60 mm	TD 240 N	2800 ... 3600	700	5500	151,00	240/85	1,17	1,70	100	350	F = 1000	0,078	0,02	125	TP60/108
	TD 310 N	2000 ... 2600	700	9000	405,00	310/85	1,00	0,86	120	300	F = 1000	0,078	0,02	125	TP60/108
	TD 375 N	1800 ... 2200	908	10600	561,00	375/85	0,85	0,56	120	300	F = 1000	0,078	0,02	125	TP60/108
	TD 400 N	2000 ... 2600	800	11000	605,00	400/85	1,00	0,50	150	300	F = 1000	0,065	0,02	125	TP60/108
	TD 425 N	1200 ... 1800	800	12500	781,00	425/85	0,90	0,30	120	250	F = 1000	0,078	0,02	125	TP60/108
	TD 430 N	1800 ... 2200	800	12000	720,00	430/85	0,95	0,45	150	300	F = 1000	0,065	0,02	125	TP60/108
	TD 500 N	1200 ... 1800	900	14500	1051,00	500/85	0,90	0,27	200	250	F = 1000	0,065	0,02	125	TP60/108
	TD 570 N	1200 ... 1600	900	14000	980,00	570/87	0,90	0,27	200	250	F = 1000	0,065	0,02	135	TP60/108
	TT 570 N	1200 ... 1600	900	14000	980,00	570/87	0,90	0,27	200	250	F = 1000	0,065	0,02	135	TP60/108

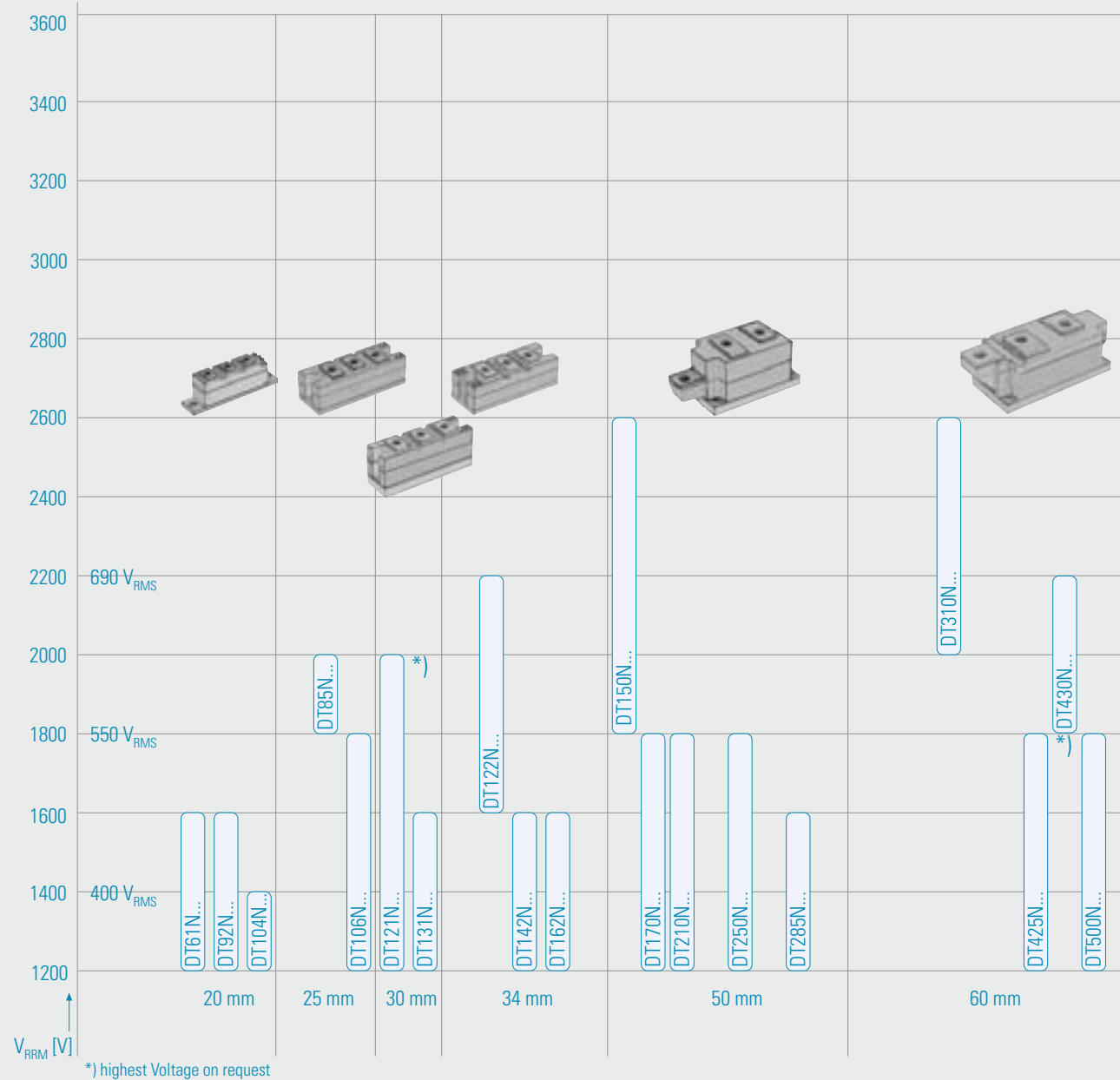
PowerBLOCK modules are UL recognized

Common anode or cathode on request

\* Highest voltage on request

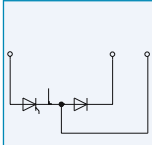
Modules for current source inverter with higher blocking Diodes on request

## Overview PowerBLOCK Diode/Thyristor Modules for Phase Control





# PowerBLOCK Diode/Thyristor Modules for Phase Control



Type	$V_{DRM}$ $V_{RRM}$ V $V_{DSM} = V_{DRM}$ $V_{RSM} =$ $V_{RRM} + 100$ V	$I_{TRMSM}$ A	$I_{TSM}$ A 10 ms, $T_{vj\ max}$	$\int i^2 dt$ $A^2 \cdot s \cdot 10^3$ 10 ms, $T_{vj\ max}$	$I_{TAVM}/T_c$ $A/^\circ C$ 180° el sin	$V_{(TO)}$ V $T_{vj} = T_{vj\ max}$	$r_T$ m $\Omega$ $T_{vj} = T_{vj\ max}$	$(di/dt)_{cr}$ A/ $\mu s$ DIN IEC 747 - 6	$t_q$ $\mu s$ typ.	$(dv/dt)_{cr}$ V/ $\mu s$ DIN IEC 747 - 6	$R_{thJC}$ $^\circ C/W$ 180° el sin	$R_{thCK}$ $^\circ C/W$	$T_{vj\ max}$ $^\circ C$	Outline / page	
Baseplate = 20 mm	DT 61 N	1200 ... 1600	120	1400	9,80	60/85	0,80	3,40	150	120	F = 1000	0,52	0,16	125	TP20/108
	DT 92 N	1200 ... 1600	160	1800	16,20	92/85	0,85	2,15	150	150	F = 1000	0,37	0,10	130	TP20/108
	DT 104 N	1200 ... 1400	160	1800	16,20	104/85	0,85	2,15	150	150	F = 1000	0,37	0,10	140	TP20/108
Baseplate = 25 mm	DT 85 N	1800 ... 2000	180	2000	20,00	85/85	0,90	2,60	150	150	F = 1000	0,33	0,08	125	TP25/108
	DT 106 N	1200 ... 1800	180	2000	20,00	106/85	0,90	2,60	150	150	F = 1000	0,33	0,08	140	TP25/108
Baseplate = 30 mm	DT 121 N	1200 ... 2000*	200	2350	27,60	121/85	0,85	2,00	150	180	F = 1000	0,23	0,06	125	TP30/108
	DT 131 N	1200 ... 1600	220	3200	51,20	131/85	0,85	1,50	150	180	F = 1000	0,23	0,06	125	TP30/108
Baseplate = 34 mm	DT 122 N	1600 ... 2200	220	2950	43,50	122/85	1,00	2,15	100	300	F = 1000	0,2	0,06	125	TP34/108
	DT 142 N	1200 ... 1600	230	4100	84,00	142/85	0,90	1,10	150	200	F = 1000	0,22	0,06	125	TP34/108
	DT 162 N	1200 ... 1600	260	4400	97,00	162/85	0,85	0,95	150	200	F = 1000	0,2	0,06	125	TP34/108
Baseplate = 50 mm	DT 150 N	1800 ... 2600	350	4000	80,00	150/85	1,20	2,30	60	300	F = 1000	0,13	0,04	125	TP50/108
	DT 170 N	1200 ... 1800	350	4600	106,00	170/85	0,95	1,00	150	250	F = 1000	0,17	0,04	125	TP50/108
	DT 210 N	1200 ... 1800	410	5800	168,00	210/85	1,00	0,85	150	200	F = 1000	0,13	0,04	125	TP50/108
	DT 250 N	1200 ... 1800	410	7000	245,00	250/85	0,80	0,70	150	250	F = 1000	0,13	0,04	125	TP50/108
	DT 285 N	1200 ... 1600	450	8000	320,00	285/92	0,80	0,70	250	250	F = 1000	0,13	0,04	135	TP50/108
Baseplate = 60 mm	DT 310 N	2000 ... 2600	700	9000	405,00	310/85	1,00	0,86	120	300	F = 1000	0,078	0,02	125	TP60/108
	DT 425 N	1200 ... 1800	800	12500	781,00	425/85	0,90	0,30	120	250	F = 1000	0,078	0,02	125	TP60/108
	DT 430 N	1800 ... 2200	800	12000	720,00	430/85	0,95	0,45	150	300	F = 1000	0,065	0,02	125	TP60/108
	DT 500 N	1200 ... 1800	900	14500	1051,00	500/85	0,90	0,27	200	250	F = 1000	0,065	0,02	125	TP60/108

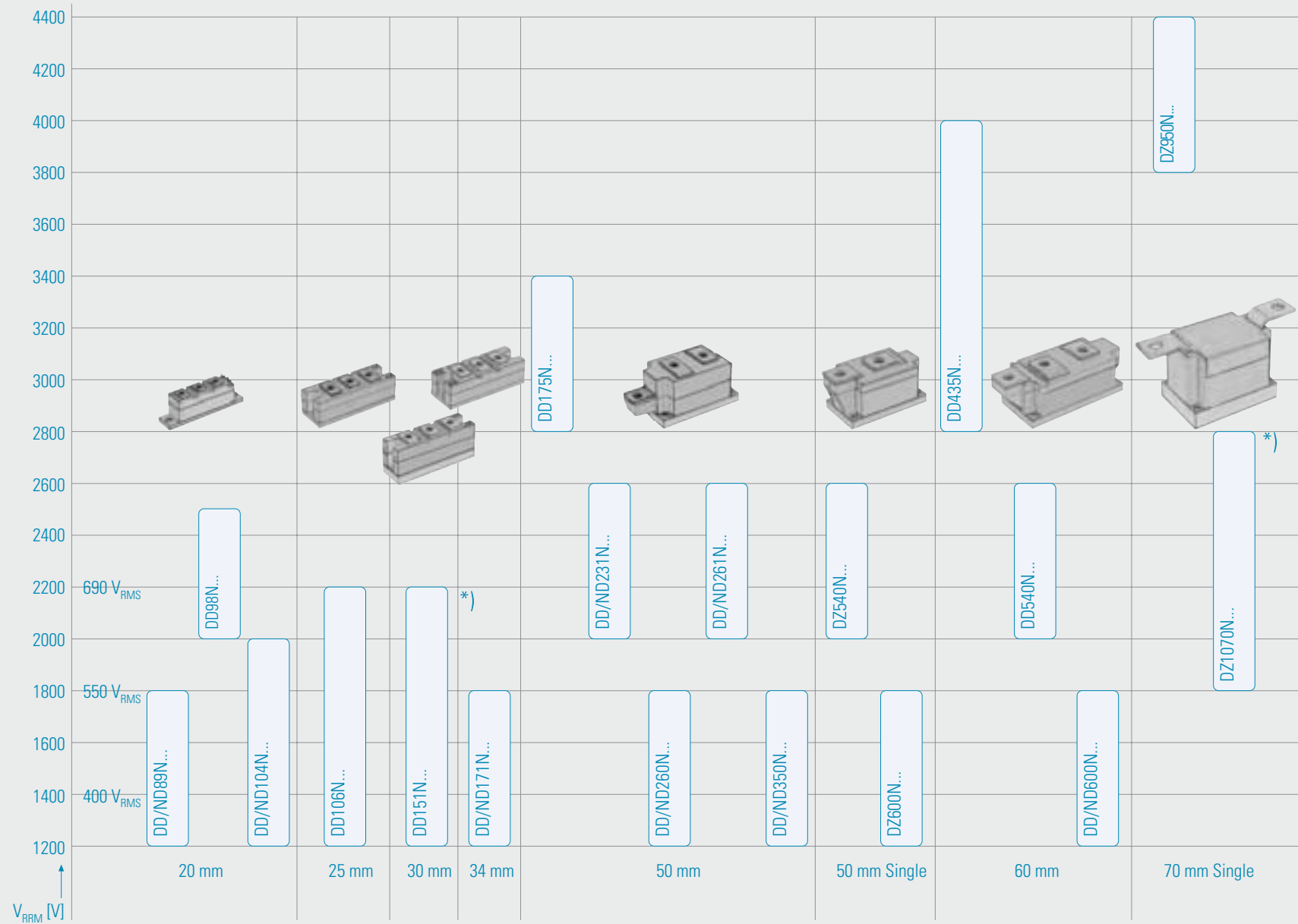
PowerBLOCK modules are UL recognized

Common anode or cathode on request

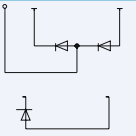
\* Highest voltage on request

Modules for current source inverter with higher blocking Diodes on request

## Overview PowerBLOCK Diode Modules for Phase Control



# PowerBLOCK Rectifier Diode Modules for Phase Control

	Type	$V_{RRM}$ V $V_{RSM}$ = $V_{RRM} + 100V$	$I_{FRMSM}$ A	$I_{FSM}$ A 10 ms, $T_{vj\ max}$	$\int i^2 dt$ $A^2 \cdot s \cdot 10^3$ 10 ms, $T_{vj\ max}$	$I_{FAVM}/T_c$ $A/^\circ C$	$V_{(TO)}$ V $T_{vj} = T_{vj\ max}$	$r_T$ $m\Omega$ $T_{vj} = T_{vj\ max}$	$R_{thJC}$ $^\circ C/W$ 180° el sin	$R_{thCK}$ $^\circ C/W$	$T_{vj\ max}$ $^\circ C$	Outline / page
	Baseplate = 20 mm	DD 89 N	1200 ... 1800	140	2400	28,80	89/100	0,75	2,30	0,450	0,10	150
ND 89 N		1200 ... 1800	140	2400	28,80	89/100	0,75	2,30	0,450	0,10	150	DP20/109
DD 98 N		2000 ... 2500	160	2000	20,00	98/100	0,82	2,00	0,390	0,10	150	DP20/109
DD 104 N		1200 ... 1800	160	2500	31,25	104/100	0,70	2,10	0,390	0,10	150	DP20/109
ND 104 N		1200 ... 1800	160	2500	31,25	104/100	0,70	2,10	0,390	0,10	150	DP20/109
Baseplate = 25 mm	DD 106 N	1200 ... 2200	180	2600	33,80	106/100	0,70	2,00	0,390	0,08	150	DP25/109
Baseplate = 30 mm	DD 151 N	1200 ... 2200*	240	4600	105,80	151/100	0,75	0,90	0,300	0,06	150	DP30/109
Baseplate = 34 mm	DD 171 N	1200 ... 1800	270	5600	157,00	170/100	0,75	0,80	0,260	0,06	150	DP34/110
	ND 171 N	1200 ... 1800	270	5600	157,00	170/100	0,75	0,80	0,260	0,06	150	DP34/110
Baseplate = 50 mm	DD 175 N	3000 ... 3400	350	4000	80,00	175/100	0,90	1,80	0,170	0,04	150	DP50/110
	DD 231 N	2000 ... 2600	410	6400	205,00	231/100	0,80	0,84	0,170	0,04	150	DP50/110
	ND 231 N	2000 ... 2600	410	6400	205,00	231/100	0,80	0,84	0,170	0,04	150	DP50ND/110
	DD 260 N	1200 ... 1800	410	8300	344,00	260/100	0,70	0,68	0,170	0,04	150	DP50/110
	ND 260 N	1200 ... 1800	410	8300	344,00	260/100	0,70	0,68	0,170	0,04	150	DP50ND/110
	DD 261 N	2000 ... 2600	410	8300	344,00	260/100	0,70	0,68	0,170	0,04	150	DP50/110
	ND 261 N	2000 ... 2600	410	8300	344,00	260/100	0,70	0,68	0,170	0,04	150	DP50ND/110
	DD 285 N	400 ... 800 <sup>1)</sup>	450	8300	344,00	285/100	0,75	0,40	0,170	0,04	150	DP50/110
	DD 350 N	1200 ... 1800	550	11000	605,00	350/100	0,75	0,40	0,130	0,04	150	DP50/110
	ND 350 N	1200 ... 1800	550	11000	605,00	350/100	0,75	0,40	0,130	0,04	150	DP50ND/110
	◆ DZ 435 N	2800 ... 4000	1100	12000	720,00	435/100	0,84	0,60	0,078	0,02	150	DP50.1/110
	DZ 540 N	2000 ... 2600	1150	14000	980,00	540/100	0,78	0,31	0,078	0,02	150	DP50.1/110
	DZ 600 N	1200 ... 1800	1150	19000	1805,00	600/100	0,75	0,215	0,078	0,02	150	DP50.1/110
◆ DZ 700 N	1800 ... 2200	1150	21000	2205,00	700/100	0,78	0,185	0,065	0,02	150	DP50.1/110	
Baseplate = 60 mm	DD 435 N	2800 ... 4000	900	12000	720,00	435/100	0,84	0,60	0,078	0,02	150	DP60/110
	DD 540 N	2000 ... 2600	900	14000	980,00	540/100	0,78	0,31	0,078	0,02	150	DP60/110
	DD 600 N	1200 ... 1800	950	19000	1800,00	600/100	0,75	0,215	0,078	0,02	150	DP60/110
	ND 600 N	1200 ... 1800	950	19000	1800,00	600/100	0,75	0,215	0,078	0,02	150	DP60/110
	◆ DD 700N	1800 ... 2200	1100	21000	2205,00	700/100	0,78	0,185	0,065	0,02	150	DP60/110
Baseplate = 70 mm	DZ 950 N	3600 ... 4400	1500	29000	4205,00	950/100	0,85	0,28	0,042	0,01	150	DP70/110
	DZ 1070 N	1800 ... 2800*	1700	35000	6125,00	1070/100	0,80	0,17	0,045	0,01	160	DP70/110

PowerBLOCK modules are UL recognized

Common anode or cathode on request

\* Highest voltage on request

■ Not for new design

◆ New type

<sup>1)</sup> $V_{RSM} = V_{RRM} + 50V$

## PowerBLOCK Fast Thyristor Modules

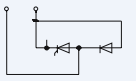
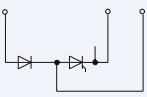
	Type	$V_{DRM}$ $V_{RRM}$ V $V_{DSM} = V_{DRM}$ $V_{RSM} =$ $V_{RRM} + 100$ V	$I_{TRMSM}$ A	$I_{TSM}$ A 10 ms, $T_{vj\ max}$	$\int i^2 dt$ $A^2s \cdot 10^3$ 10 ms, $T_{vj\ max}$	$I_{TAVM}/T_c$ $A/^\circ C$ 180° el sin	$V_{(T0)}$ V $T_{vj} = T_{vj\ max}$	$r_T$ $m\Omega$ $T_{vj} = T_{vj\ max}$	$(di/dt)_{cr}$ $A/\mu s$ DIN IEC 747 - 6	$t_q$ $\mu s$ typ.	$(dv/dt)_{cr}$ $V/\mu s$ DIN IEC 747 - 6	$R_{thJC}$ $^\circ C/W$ 180° el sin	$R_{thCK}$ $^\circ C/W$	$T_{vj\ max}$ $^\circ C$	Outline / page	
Baseplate = 20 mm	TT 46 F06 KGF	600	120	1150	6,6	45/85	1,30	3,40	120	$G \leq 30$	$F = 1000$	0,52	0,16	125	TP20/108	
	TT 46 F08 KDC	800	120	1150	6,6	45/85	1,30	3,40	120	$D \leq 15$	$C = 500$	0,52	0,16	125	TP20/108	
	TT 46 F10 KDC	1000	120	1150	6,6	45/85	1,30	3,40	120	$D \leq 15$	$C = 500$	0,52	0,16	125	TP20/108	
	TT 46 F10 KFC	1000	120	1150	6,6	45/85	1,30	3,40	120	$F \leq 25$	$C = 500$	0,52	0,16	125	TP20/108	
	TT 46 F12 KFC	1200	120	1150	6,6	45/85	1,30	3,40	120	$F \leq 25$	$C = 500$	0,52	0,16	125	TP20/108	
	TT 46 F12 KFM	1200	120	1150	6,6	45/85	1,30	3,40	120	$F \leq 25$	$M = 1000$	0,52	0,16	125	TP20/108	
	TD 46 F08 KDC	800	120	1150	6,6	45/85	1,30	3,40	120	$D \leq 15$	$C = 500$	0,52	0,16	125	TP20/108	
	TD 46 F10 KDC	1000	120	1150	6,6	45/85	1,30	3,40	120	$D \leq 15$	$C = 500$	0,52	0,16	125	TP20/108	
	TD 46 F10 KFC	1000	120	1150	6,6	45/85	1,30	3,40	120	$F \leq 25$	$C = 500$	0,52	0,16	125	TP20/108	
	TD 46 F12 KFC	1200	120	1150	6,6	45/85	1,30	3,40	120	$F \leq 25$	$C = 500$	0,52	0,16	125	TP20/108	
	DT 46 F08 KEC	800	120	1150	6,6	45/85	1,30	3,40	120	$E \leq 20$	$C = 500$	0,52	0,16	125	TP20/108	
	DT 46 F10 KEC	1000	120	1150	6,6	45/85	1,30	3,40	120	$E \leq 20$	$C = 500$	0,52	0,16	125	TP20/108	
	Baseplate = 25 mm	TT 60 F11 KDM	1100	150	1300	8,45	60/85	1,30	4,00	200	$D \leq 15$	$M = 1000$	0,35	0,08	125	TP25/108
	Baseplate = 30 mm	TT 101 F12 KFC	1200	200	2400	28,8	101/85	1,20	2,10	160	$F \leq 25$	$C = 500$	0,23	0,06	125	TP30/108
TT 111 F06 KSC-A <sup>1)</sup>		600	200	2600	33,8	111/85	1,20	1,40	200	$S \leq 18$	$C = 500$	0,23	0,06	125	TP30/108	
TD 111 F08 KSC <sup>1)</sup>		800	200	2600	33,8	111/85	1,20	1,40	200	$S \leq 18$	$C = 500$	0,23	0,06	125	TP30/108	
Baseplate = 50 mm	TD 180 F12 KFC	1200	350	6000	180,0	180/85	1,30	0,90	200	$F \leq 25$	$C = 500$	0,13	0,04	125	TP50/108	
	TD 180 F13 KFL	1300	350	6000	180,0	180/85	1,30	0,90	200	$F \leq 25$	$L = 500$	0,13	0,04	125	TP50/108	
	DT 180 F12 KFC	1200	350	6000	180,0	180/85	1,30	0,90	200	$F \leq 25$	$C = 500$	0,13	0,04	125	TP50/108	
	TZ 335 F12 KFM	1200	700	10000	500,0	335/85	1,15	0,42	200	$F \leq 25$	$M = 1000$	0,08	0,02	125	TP50.1/108	
	TZ 335 F12 KGC	1200	700	10000	500,0	335/85	1,15	0,42	200	$G \leq 30$	$C = 500$	0,08	0,02	125	TP50.1/108	

PowerBLOCK modules are UL recognized

all PowerBLOCK Fast Thyristor Modules not for new design

<sup>1)</sup>  $V_{RSM} = V_{RRM} + 50$  V

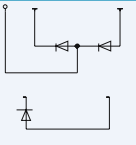
# PowerBLOCK Fast Asymmetric Thyristor Modules

	Type	$V_{DRM}$ $V_{RRM}$ V $V_{DSM} = V_{DRM}$	$V_{RRM}$ $V_{RRM}$ [( $V_{RRM(C)}$ ) $t_p = 1\mu s$ ]	$I_{TRMSM}$ A	$I_{TSM}$ A 10 ms, $T_{vj\ max}$	$\int i^2 dt$ $A^2 \cdot s \cdot 10^3$ 10 ms, $T_{vj\ max}$	$I_{TAVM}/T_c$ $A/^\circ C$ 180° el sin	$V_{(TO)}$ V $T_{vj} = T_{vj\ max}$	$r_T$ $m\Omega$ $T_{vj} = T_{vj\ max}$	$(di/dt)_{cr}$ $A/\mu s$ DIN IEC 747 - 6	$t_q$ $\mu s$ typ.	$(dv/dt)_{cr}$ $V/\mu s$ DIN IEC 747 - 6	$R_{thJC}$ $^\circ C/W$ 180° el sin	$R_{thCK}$ $^\circ C/W$	$T_{vj\ max}$ $^\circ C$	Outline / page
Baseplate = 34 mm	AD 96 S08 KAF	800	15 [50]	200	2350	27,6	95/85	1,3	2,15	400	$A \leq 8$	F = 1000	0,23	0,06	125	TP34/108
	AD 96 S11 KAC	1100	15 [50]	200	2350	27,6	95/85	1,3	2,15	400	$A \leq 8$	C = 500	0,23	0,06	125	TP34/108
	AD 116 S10 KBC	1000	15 [50]	220	2600	33,8	115/85	1,1	1,45	400	$B \leq 10$	C = 500	0,23	0,06	125	TP34/108
	AD 116 S10 KDC	1000	15 [50]	220	2600	33,8	115/85	1,1	1,45	400	$D \leq 15$	C = 500	0,23	0,06	125	TP34/108
	AD 116 S10 KDF	1000	15 [50]	220	2600	33,8	115/85	1,1	1,45	400	$D \leq 15$	F = 1000	0,23	0,06	125	TP34/108
Baseplate = 50 mm 	AD 180 S10 KBC	1000	15 [50]	350	4800	115,0	180/85	1,3	0,90	500	$B \leq 10$	C = 500	0,13	0,04	125	TP50/108
	AD 180 S12 KBF	1200	15 [50]	350	4800	115,0	180/85	1,3	0,90	500	$B \leq 10$	F = 1000	0,13	0,04	125	TP50/108
	AD 180 S12 KCF	1200	15 [50]	350	4800	115,0	180/85	1,3	0,90	500	$C \leq 12$	F = 1000	0,13	0,04	125	TP50/108
	AD 180 S12 KDC	1200	15 [50]	350	4800	115,0	180/85	1,3	0,90	500	$D \leq 15$	C = 500	0,13	0,04	125	TP50/108
	AD 220 S12 KDF	1200	15 [50]	410	5200	135,0	220/85	1,1	0,60	500	$D \leq 15$	F = 1000	0,13	0,04	125	TP50/108

PowerBLOCK modules are UL recognized

all PowerBLOCK Fast Asymmetric Thyristor Modules not for new design

## PowerBLOCK Fast Diode Modules

	Type	$V_{RRM}$	$I_{FRMSM}$	$I_{FSM}$	$\int i^2 dt$	$I_{FAVM}/T_c$	$V_{(TO)}$	$r_T$	$I_{RM}$	$R_{thJC}$	$R_{thCK}$	$T_{vj max}$	Outline / page
		V	A	A	$A^2s \cdot 10^3$	$A/^\circ C$	V	$m\Omega$	A	$^\circ C/W$	$^\circ C/W$	$^\circ C$	
		$V_{RSM}$ = $V_{RRM} + 100V$ (50 Hz)		10 ms, $T_{vj max}$	10 ms, $T_{vj max}$		$T_{vj} = T_{vj max}$	$T_{vj} = T_{vj max}$	$T_{vj} = T_{vj max}$ -di/dt = 100 A/ $\mu s$	180° el sin			
Baseplate = 20 mm	DD 46 S	800 ... 1200 <sup>1)</sup>	100	850	3,60	45/85	0,90	3,90		0,68	0,16	125	DP20/109
	DD 61 S	1000 ... 1400 <sup>1)</sup>	120	1600	12,80	61/100	1,00	2,20	82	0,62	0,16	150	DP20/109
	DD 62 S	400 ... 1000 <sup>1)</sup>	120	1600	12,80	61/100	1,00	2,20	62	0,62	0,16	150	DP20/109
	DD 81 S	1000 ... 1400	150	1900	18,05	81/100	0,95	1,70	87	0,48	0,16	150	DP20/109
	DD 82 S	400 ... 1000 <sup>1)</sup>	150	1900	18,05	81/100	0,95	1,70	65	0,48	0,16	150	DP20/109
Baseplate = 30 mm	DD 121 S	1000 ... 1400	200	2000	20,00	121/100	0,95	1,70	95	0,28	0,06	150	DP30/109
	DD 122 S	400 ... 1000 <sup>1)</sup>	200	2000	20,00	121/100	0,95	1,70	70	0,28	0,06	150	DP30/109
Baseplate = 50 mm	DD 230 S	1800 ... 2600	410	7500	281,00	230/100	1,00	0,80		0,15	0,04	150	DP50/110
	ND 230 S	1800 ... 2600	410	7500	281,00	230/100	1,00	0,80		0,15	0,04	150	DP50ND/110
	DD 241 S	1000 ... 1400	410	7500	281,00	240/100	1,10	0,50	135	0,15	0,04	150	DP50/110
	ND 241 S	1000 ... 1400	410	7500	281,00	240/100	1,10	0,50	135	0,15	0,04	150	DP50ND/110
	DD 242 S	600 ... 1000 <sup>1)</sup>	410	7500	281,00	240/100	1,10	0,50	98	0,15	0,04	150	DP50/110
	ND 242 S	600 ... 1000 <sup>1)</sup>	410	7500	281,00	240/100	1,10	0,50	98	0,15	0,04	150	DP50ND/110



PowerBLOCK modules are UL recognized

Common anode or cathode on request

<sup>1)</sup>  $V_{RRM} \leq 1000 V$  :  $V_{RSM} = V_{RRM} + 50 V$

# Overview Phase Control Thyristors in Disc Housings

$V_{DRM}$  - Concept

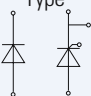
8000 V															T1503N T1901N T2251N	T2563N T2871N
7000 V						T201N				T501N T551N T553N			T1081N T1201N	T1851N T1651N		
6500 V						T281N				T571N						
5200 V	1500 $V_{RMS}$	Ceramic Disc 											T1551N T1451N	T2351N T2161N	T3441N T2401N T2851N	T4003N T4021N
5000 V																
4800 V		Epoxy Disc 														
4400 V										T731			T1971N T1401N		T3101N	
4200 V							T379N									
4000 V																
3800 V																
3600 V	1100 $V_{RMS}$					T380N										
3400 V																
3200 V																
2900 V																
2600 V						T308N	T459N	T659N	T829N							
2400 V																
2200 V	690 $V_{RMS}$															
2000 V																
1800 V	550 $V_{RMS}$															
1600 V																
1400 V	400 $V_{RMS}$															
1200 V																
600 V																
400 V																
Pellet $\varnothing$	21 mm	23 mm	25 mm	30 mm	32 mm	38 mm	42 mm	46 mm	51 mm	55/56 mm	58 mm	65 mm	75 mm	80 mm	100 mm	119 mm
Case $\varnothing$		41 mm		50 mm		57/60 mm			75 mm			100 mm	120 mm	110 mm	150 mm	170 mm

Pellet  $\varnothing$  88,5 mm  
Case  $\varnothing$  120 mm

High Power-Discs

Epoxy-Discs

## Pulsed Power Applications

Type 	$V_{BO}$ V	$V_{RRM}$ V	$V_{TM}/I_{TM}$ V/kA	$I_{TSM}$ kA	$di/dt_{cr(on)}$ A/ $\mu$ s single pulse	$di/dt_{cr(off)}$ A/ $\mu$ s single pulse	$R_{thJC}$ $^{\circ}$ C/W	$T_{vj\ max}$ $^{\circ}$ C	Outline / page
T 4003 NH	5200	5200	1,80/5	100	5000		0,0045	120	T172.40L/115
T 1503 NH	7500	7500 ... 8000	3,00/4	55	5000		0,0060	120	T150.40L/115
T 2563 NH	7500	7500 ... 8000	2,95/5	90	5000		0,0045	120	T172.40L/115
D 2601 NH		9000	5,50/4	22		7500	0,0075	140	D120.26K/119



# Phase Control Thyristors

up to 600 V														
Type	$V_{DRM}^{2)}$ $V_{RRM}$ V $V_{DSM} = V_{DRM}$ $V_{RSM} = V_{RRM} + 50$ V	$I_{TRMSM}$ A	$\int i^2 dt$ $A^2s \cdot 10^3$ 10 ms, $T_{vj\ max}$	$I_{TSM}$ kA 10 ms, $T_{vj\ max}$	$V_T/I_T$ V/kA $T_{vj\ max}$	$I_{TAVM}$ A/°C 180° el sin $T_c = 85$ °C	$V_{(TO)}$ V $T_{vj} = T_{vj\ max}$	$r_T$ mΩ $T_{vj} = T_{vj\ max}$	$(di/dt)_{cr}$ A/μs DIN IEC 747 - 6	$t_q$ μs typ.	$(dv/dt)_{cr}$ V/μs DIN IEC 747 - 6	$R_{thJC}$ °C/W 180° el sin	$T_{vj\ max}$ °C	Outline / page
T 210 N	200 ... 600	330	151	5,50	1,33/0,60	210	0,80	0,85	200	200	F = 1000	0,150	140	TSW27/111
T 348 N	200 ... 600	600	80	41,9	2,00/1,10	348	1,00	0,70	200	200	F = 1000	0,100	140	T41.14/112
T 398 N	200 ... 600	800	151	5,50	1,63/1,50	398	1,00	0,40	200	200	F = 1000	0,100	140	T41.14/112
T 568 N	200 ... 600	900	225	6,70	1,76/2,00	568	0,80	0,44	200	200	F = 1000	0,068	140	T41.14/112
T 828 N	200 ... 600	1500	720	12,00	1,65/2,50	828	1,00	0,23	300	150	F = 1000	0,045	140	T50.14/112
T 1078 N	200 ... 600	2000	1050	14,50	1,81/3,50	1078	1,02	0,20	200	150	F = 1000	0,033	140	T50.14/112
T 1258 N	200 ... 600	2500	2000	20,00	1,50/4,50	1258	1,00	0,10	120	200	F = 1000	0,033	140	T60.14/112
T 2509 N	200 ... 600*	4900	8820	42,00 <sup>1)</sup>	1,22/6,00	2509	0,75	0,072	200	200	F = 1000	0,0184	140	T75.26/112
T 3709 N	200 ... 600*	7000	18000	60,00 <sup>2)</sup>	1,50/15,00	3710	0,75	0,0475	200	200	F = 1000	0,0125	140	T100.26/112

up to 1800 V														
Type	$V_{DRM}^{2)}$ $V_{RRM}$ V $V_{DSM} = V_{DRM}$ $V_{RSM} = V_{RRM} + 100$ V	$I_{TRMSM}$ A	$\int i^2 dt$ $A^2s \cdot 10^3$ 10 ms, $T_{vj\ max}$	$I_{TSM}$ kA 10 ms, $T_{vj\ max}$	$V_T/I_T$ V/kA $T_{vj\ max}$	$I_{TAVM}$ A 180° el sin $T_c = 85$ °C	$V_{(TO)}$ V $T_{vj} = T_{vj\ max}$	$r_T$ mΩ $T_{vj} = T_{vj\ max}$	$(di/dt)_{cr}$ A/μs DIN IEC 747 - 6	$t_q$ μs typ.	$(dv/dt)_{cr}$ V/μs DIN IEC 747 - 6	$R_{thJC}$ °C/W 180° el sin	$T_{vj\ max}$ °C	Outline / page
T 86 N	1200 ... 1800*	200	20	2,00	1,99/0,4	86	1,00	2,60	150	200	F = 1000	0,30	125	TSW27/111
T 130 N	1200 ... 1800	300	45	3,00	1,96/0,6	130	1,08	1,53	150	180	F = 1000	0,20	125	TSW27/111
T 160 N	1200 ... 1800	300	58	3,40	1,96/0,6	160	1,08	1,53	150	200	F = 1000	0,15	125	TFL36/111
T 178 N	1200 ... 1800	300	34	2,60	1,9/0,6	178	0,92	1,50	150	180	F = 1000	0,14	125	T41.14 / 112
T 218 N	1200 ... 1800	400	58	3,40	2,2/0,8	218	0,90	1,35	150	200	F = 1000	0,11	125	T41.14 / 112
T 221 N	1200 ... 1800	450	163	5,70	1,74/0,8	221	1,10	0,75	150	200	F = 1000	0,12	125	TSW41/111
T 298 N	600 ... 1600	600	90,6	4,25	2,0/1,1	298	0,85	0,90	150	200	F = 1000	0,088	125	TFL54/111
T 345 N	1200 ... 1800	550	238	6,90	1,56/1,0	345	0,80	0,70	150	250	F = 1000	0,08	125	T41.14/112
T 358 N	1200 ... 1800	700	106	4,60	2,07/1,2	358	0,85	0,90	150	250	F = 1000	0,068	125	TFL54/111
T 370 N	1200 ... 1800	650	320	8,00	1,65/1,2	370	0,80	0,50	200	250	F = 1000	0,085	125	T41.14/112
T 378 N	1200 ... 1600	800	202	6,35	1,85/1,2	378	0,80	0,75	150	250	F = 1000	0,068	125	TSW41/111
T 388 N	1200 ... 1800	730	205	6,40	2,1/1,5	388	0,90	0,75	120	220	F = 1000	0,068	125	T41.14/112
T 508 N	1200 ... 1800	800	238	6,90	1,92/1,6	510	0,80	0,60	120	250	F = 1000	0,053	125	T50.14/112
T 509 N	1200 ... 1800	800	238	6,90	1,92/1,6	510	0,80	0,60	120	250	F = 1000	0,053	125	T57.26/112

\* Highest voltage on request

<sup>1)</sup> Case non-rupture current 32 kA (sinusoidal half wave 50 Hz)

<sup>2)</sup> Case non-rupture current 38 kA

## Phase Control Thyristors

up to 1800 V														
Type	$V_{DRM}$ $V_{RRM}$ V $V_{DSM} = V_{DRM}$ $V_{RSM} = V_{RRM}$ + 100V	$I_{TRMSM}$ A	$\int i^2 dt$ $A^2s \cdot 10^3$ 10 ms $T_{vj\ max}$	$I_{TSM}$ kA 10 ms $T_{vj\ max}$	$V_T/I_T$ V/kA $T_{vj\ max}$	$I_{TAVM}$ A 180 ° el sin $T_c = 85 °C$	$V_{(TO)}$ V $T_{vj} = T_{vj\ max}$	$r_T$ mΩ $T_{vj} = T_{vj\ max}$	$(di/dt)_{cr}$ A/μs DIN IEC 747 - 6	$t_q$ μs typ.	$(dv/dt)_{cr}$ V/μs DIN IEC 747 - 6	$R_{thJC}$ °C/W 180 ° el sin	$T_{vj\ max}$ °C	Outline / page
T 588 N	1200 ... 1800	1250	320	8,00	2,15/2,4	588	0,80	0,50	200	250	F = 1000	0,045	125	T50.14/112
T 589 N	1200 ... 1800	1250	320	8,00	2,15/2,4	588	0,80	0,50	200	250	F = 1000	0,045	125	T57.26/112
T 618 N	1200 ... 1400	1250	451	9,50	1,75/2,0	618	0,80	0,42	200	250	F = 1000	0,045	125	T50.14/112
T 619 N	1200 ... 1400	1250	451	9,50	1,75/2,0	618	0,80	0,42	200	250	F = 1000	0,045	125	T57.26/112
T 648 N	1200 ... 1600	1300	605	11,00	2,10/2,5	649	1,00	0,38	120	250	F = 1000	0,038	125	T60.14/112
T 649 N	1200 ... 1600	1300	605	11,00	2,10/2,5	649	1,00	0,38	120	250	F = 1000	0,038	125	T57.26/112
T 718 N	1200 ... 1600	1500	781	12,50	1,94/3,0	718	0,85	0,35	120	250	F = 1000	0,038	125	T60.14/112
T 719 N	1200 ... 1600	1500	781	12,50	1,94/3,0	718	0,85	0,35	120	250	F = 1000	0,038	125	T57.26/112
T 878 N	1200 ... 1800	1750	1200	15,50	1,95/3,6	879	0,85	0,27	200	250	F = 1000	0,032	125	T60.14/112
T 879 N	1200 ... 1800	1750	1200	15,50	1,95/3,6	879	0,85	0,27	200	250	F = 1000	0,032	125	T57.26/112
T 1049 N	1200 ... 1800	1870	1280	16,00	1,34/1,8	1050	0,85	0,225	200	250	F = 1000	0,0265	125	T75.26/112
T 1189 N	1200 ... 1800	2800	2530	22,50	2,05/5,4	1190	0,90	0,19	200	240	F = 1000	0,023	125	T75.26/112
T 1500 N	1200 ... 1800	3500	5611	33,50 <sup>1)</sup>	2,10/7,0	1500	0,90	0,15	200	240	F = 1000	0,0184	125	T75.26K/113
T 1509 N	1200 ... 1800	3500	5611	33,50 <sup>1)</sup>	2,10/7,0	1500	0,90	0,15	200	240	F = 1000	0,0184	125	T75.26/112
T 1986 N	1200 ... 1800	4200	6480	36,00	2,05/8,0	1990	0,90	0,12	200	250	F = 1000	0,0133	125	T100.35/112
T 1989 N	1200 ... 1800	4200	6480	36,00	2,05/8,0	1990	0,90	0,12	200	250	F = 1000	0,0133	125	T100.26/112
T 3159 N	1200 ... 1800	7000	16245	57,00 <sup>2)</sup>	1,37/6,0	3160	0,85	0,082	200	250	F = 1000	0,0085	125	T110.26/113

\* Highest voltage on request

<sup>1)</sup> Case non-rupture current 32 kA (sinusoidal half wave 50 Hz)<sup>2)</sup> Case non-rupture current 38 kA

# Phase Control Thyristors

up to 3000 V														
Type	$V_{DRM}$ $V_{RRM}$ V $V_{DSM} = V_{DRM}$ $V_{RSM} = V_{RRM} + 100V$	$I_{TRMSM}$ A	$\int i^2 dt$ $A^2s \cdot 10^3$ 10 ms $T_{vj\ max}$	$I_{TSM}$ kA 10 ms $T_{vj\ max}$	$V_T/I_T$ V/kA $T_{vj\ max}$	$I_{TAVM}$ A 180 ° el sin $T_c = 85\ ^\circ C$	$V_{(TO)}$ V $T_{vj} = T_{vj\ max}$	$r_T$ $m\Omega$ $T_{vj} = T_{vj\ max}$	$(di/dt)_{cr}$ A/ $\mu s$ DIN IEC 747 - 6	$t_q$ $\mu s$ typ.	$(dv/dt)_{cr}$ V/ $\mu s$ DIN IEC 747 - 6	$R_{thJC}$ $^\circ C/W$ 180 ° el sin	$T_{vj\ max}$ $^\circ C$	Outline / page
■ T 271 N	2000 ... 2500	650	245	7,00	2,35/1,2	270	1,07	0,870	60	300	F = 1000	0,091	125	TSW41/111
T 308 N	2000 ... 2600*	550	101	4,50	2,88/1,1	308	1,10	1,600	60	350	F = 1000	0,056	125	T50.14/112
T 458 N	2000 ... 2600	1000	405	9,00	2,75/2,0	459	1,00	0,840	120	300	F = 1000	0,0455	125	T60.14/112
T 459 N														T57.26/112
T 639 N	1800 ... 2200	1250	562	10,60	1,88/1,8	640	0,85	0,510	120	400	F = 1000	0,0377	125	T57.26/112
T 658 N	2200 ... 2600	1500	660	11,50	2,53/2,85	659	1,00	0,500	150	300	F = 1000	0,033	125	T60.14/112
T 659 N	2200 ... 2600	1500	660	11,50	2,53/2,85	659	1,00	0,500	150	300	F = 1000	0,033	125	T57.26/112
T 699 N	1800 ... 2200	1500	744	12,20	2,32/2,85	699	0,95	0,450	200	300	F = 1000	0,032	125	T57.26/112
T 708 N	1800 ... 2200	1500	744	12,20	2,32/2,85	699	0,95	0,450	200	300	F = 1000	0,032	125	T60.14/112
T 709 N	2000 ... 2600	1500	845	13,00	2,84/3,0	700	1,05	0,530	50	300	F = 1000	0,029	125	T75.26/112
T 829 N	2000 ... 2600	1800	1201	15,50	1,78/1,8	829	0,95	0,425	50	350	F = 1000	0,0265	125	T75.26/112
T 1039 N	1800 ... 2200	2200	1711	18,50	1,53/2,0	1039	0,90	0,300	200	300	F = 1000	0,0231	125	T75.26/112
T 1218 N	2000 ... 2800	2625	2531	22,50	1,52/1,0	1220	1,05	0,330	150	350	F = 1000	0,016	125	T75.14/112
T 1219 N	2000 ... 2800	2625	2531	22,50	1,38/1,0	1220	1,00	0,275	150	350	F = 1000	0,0184	125	T75.26/112
T 1329 N	1800 ... 2200	2600	2645	23,00	1,13/1,0	1329	0,90	0,234	200	300	F = 1000	0,0184	125	T75.26/112
T 1589 N	2000 ... 2800*	3200	3920	28,00	2,45/5,0	1589	1,10	0,237	150	400	F = 1000	0,0124	125	T100.26/113
T 1866 N	1800 ... 2200	4100	6125	35,00	2,20/8,0	1869	0,90	0,155	200	300	F = 1000	0,0133	125	T100.35/113
T 1869 N	1800 ... 2200	4100	6125	35,00	2,20/8,0	1869	0,90	0,155	200	300	F = 1000	0,0133	125	T100.26/113
T 2156 N	2200 ... 2800	4600	8000	40,00 <sup>1)</sup>	2,65/8,8	2159	1,05	0,154	150	400	F = 1000	0,0099	125	T110.35/113
T 2159 N	2200 ... 2800	4600	8000	40,00 <sup>1)</sup>	2,65/8,8	2159	1,05	0,154	150	400	F = 1000	0,0099	125	T110.26/113
T 2160 N	2200 ... 2800	4600	8000	40,00	2,65/8,8	2159	1,05	0,154	150	400	F = 1000	0,0099	125	T120.26K/114
T 2476 N	2200 ... 2800	5100	9460	43,50 <sup>1)</sup>	1,43/3,0	2480	0,95	0,154	200	400	F = 1000	0,0085	125	T110.35/113
T 2479 N	2200 ... 2800	5100	9460	43,50 <sup>1)</sup>	1,43/3,0	2480	0,95	0,154	200	400	F = 1000	0,0085	125	T110.26/113
T 2480 N	2200 ... 2800	5100	9460	43,50	1,43/3,0	2480	0,95	0,154	200	400	F = 1000	0,0085	125	T120.26K/114
T 2709 N	1600 ... 2200	5800	12500	50,00 <sup>1)</sup>	2,35/11,0	2709	0,90	0,125	200	300	F = 1000	0,0085	125	T110.26/113
T 2710 N	1600 ... 2200	5800	12500	50,00	2,35/11,0	2709	0,90	0,125	200	300	F = 1000	0,0085	125	T120.26K/114
T 4301 N	2200 ... 2900	9420	41400	91,00	1,20/4,0	4300	0,77	0,107	300	250	F = 1000	0,0054	125	T150.35K/114
T 4771 N	2200 ... 2900	10110	41400	91,00	1,20/4,0	4640	0,77	0,107	300	250	F = 1000	0,0048	125	T150.26K/114

■ Not for new design

\* Highest voltage on request

<sup>1)</sup> Case non-rupture current 38 kA (sinusoidal half wave 50 Hz)

## Phase Control Thyristors

up to 4500 V														
Type	$V_{DRM}$ $V_{RRM}$ V $V_{DSM} = V_{DRM}$ $V_{RSM} = V_{RRM}$ + 100 V	$I_{TRMSM}$ A	$\int i^2 dt$ $A^2s \cdot 10^3$ 10 ms $T_{vj\ max}$	$I_{TSM}$ kA 10 ms $T_{vj\ max}$	$V_T/I_T$ V/kA $T_{vj\ max}$	$I_{TAVM}$ A 180° el sin $T_c = 85^\circ C$	$V_{(TO)}$ V $T_{vj} = T_{vj\ max}$	$r_T$ m $\Omega$ $T_{vj} = T_{vj\ max}$	$(di/dt)_{cr}$ A/ $\mu s$ DIN IEC 747 - 6	$t_q$ $\mu s$ typ.	$(dv/dt)_{cr}$ V/ $\mu s$ DIN IEC 747 - 6	$R_{thJC}$ $^\circ C/W$ 180° el sin	$T_{vj\ max}$ $^\circ C$	Outline / page
T 379 N	3600 ... 4200	800	205	6,4	3,26/1,2	422	1,20	1,60	100	500	F = 1000	0,033	125	T57.26/112
T 380 N	3200 ... 3800	750	211	6,5	2,80/1,2	380	1,20	1,20	100	350	F = 1000	0,045	125	T57.26K/113
T 729 N	3600 ... 4200	1840	1250	15,8	3,40/3,5	730	1,20	0,57	80	400	F = 1000	0,0215	120	T75.26/112
T 730 N	3600 ... 4200	1840	1250	15,8	3,40/3,5	730	1,20	0,57	80	400	F = 1000	0,0215	120	T75.26K/113
T 731 N	3600 ... 4400	2010	1280	16	1,86/1,2	910	1,08	0,65	300	500	H = 2000	0,0185	125	T76.26K/113
T 869 N	3000 ... 3600	2000	1445	17	3,18/3,8	860	1,08	0,50	80	400	F = 1000	0,021	125	T75.26/112
T 901 N	2800 ... 3600	2050	1445	17	1,75/1,2	950	1,16	0,494	300	300	F = 1000	0,0185	125	T76.26K/113
T 929 N	3000 ... 3600	2200	1530	17,5	2,70/3,6	930	1,00	0,43	80	500	F = 1000	0,0215	125	T75.26/112
T 1401 N	3600 ... 4200	3450	6480	36	1,95/2,0	1600	1,29	0,33	300	350	H = 2000	0,0097	125	T120.35K/114
T 1971 N	3600 ... 4200	3700	6480	36	1,95/2,0	1730	1,29	0,33	300	350	H = 2000	0,0086	125	T120.26K/114
T 1601 N	2800 ... 3600	4160	8400	41	1,50/2,0	1920	1,00	0,25	300	300	F = 1000	0,0097	125	T120.35K/114
T 1929 N	3000 ... 3800	4200	6850	37	2,90/8,0	1930	1,08	0,20	150	450	F = 1000	0,0099	125	T110.26/113
T 2001 N	2800 ... 3600	4460	8400	41	1,50/2,0	2060	1,00	0,25	300	300	F = 1000	0,0087	125	T120.26K/114
T 3401 N	3100 ... 3600	8350	37850	87	1,40/4,0	3800	0,82	0,145	300	300	F = 1000	0,0054	125	T150.35K/114
T 3801 N	3100 ... 3600	8950	37850	87	1,40/4,0	4100	0,82	0,145	300	300	F = 1000	0,0048	125	T150.26K/114
T 3101 N	4000 ... 4400	6830	34000	83	1,75/4,0	3160	1,01	0,185	300	400	H = 2000	0,0054	125	T150.35K/114

up to 5500 V														
Type	$V_{DRM}$ $V_{RRM}$ V $V_{DSM} = V_{DRM}$ $V_{RSM} = V_{RRM}$ + 100 V	$I_{TRMSM}$ A	$\int i^2 dt$ $A^2s \cdot 10^3$ 10 ms $T_{vj\ max}$	$I_{TSM}$ kA 10 ms $T_{vj\ max}$	$V_T/I_T$ V/kA $T_{vj\ max}$	$I_{TAVM}$ A 180° el sin $T_c = 85^\circ C$	$V_{(TO)}$ V $T_{vj} = T_{vj\ max}$	$r_T$ m $\Omega$ $T_{vj} = T_{vj\ max}$	$(di/dt)_{cr}$ A/ $\mu s$ DIN IEC 747 - 6	$t_q$ $\mu s$ typ.	$(dv/dt)_{cr}$ V/ $\mu s$ DIN IEC 747 - 6	$R_{thJC}$ $^\circ C/W$ 180° el sin	$T_{vj\ max}$ $^\circ C$	Outline / page
T 1451 N	4800 ... 5200	3610	9250	43	1,70/2,0	1690	0,92	0,37	300	450	H = 2000	0,0097	125	T120.35K/114
T 1551 N	4800 ... 5200	3920	9250	43	1,70/2,0	1830	0,92	0,37	300	450	H = 2000	0,0086	125	T120.26K/114
T 2161 N	4800 ... 5200	4630	14600	54	1,85/3,0	2170	0,81	0,36	300	450	H = 2000	0,0075	125	T120.35K/114
T 2351 N	4800 ... 5200	5000	14600	54	1,85/3,0	2360	0,81	0,36	300	450	H = 2000	0,0065	125	T120.26K/114
T 2401 N	4800 ... 5200	5970	22000	67	2,10/4,0	2750	1,090	0,25	300	350	H = 2000	0,0054	125	T150.35K/114
T 2851 N	4800 ... 5200	6230	31000	79	1,70/4,0	3000	0,765	0,235	300	600	H = 2000	0,0054	125	T150.35K/114
T 3441 N	4800 ... 5200	6600	31000	79	1,70/4,0	3200	0,765	0,235	300	600	H = 2000	0,0048	125	T150.26K/114
T 4021 N	4800 ... 5350	8480	50000	100	1,80/6,0	3920	0,92	0,142	300	550	H = 2000	0,00445	125	T172.35K/112

# Phase Control Thyristors

up to 10 000 V														
Type	$V_{DRM}$ $V_{RRM}$ V $V_{DSM} = V_{DRM}$ $V_{RSM} = V_{RRM}$ + 100 V	$I_{TRMSM}$ A	$\int i^2 dt$ $A^2s \cdot 10^3$ 10 ms $T_{vj\ max}$	$I_{TSM}$ kA 10 ms $T_{vj\ max}$	$V_T/I_T$ V/kA $T_{vj\ max}$	$I_{TAVM}$ A 180 ° el sin $T_c = 85\ ^\circ C$	$V_{(TO)}$ V $T_{vj} = T_{vj\ max}$	$r_T$ $m\Omega$ $T_{vj} = T_{vj\ max}$	$(di/dt)_{cr}$ A/ $\mu s$ DIN IEC 747 - 6	$t_q$ $\mu s$ typ.	$(dv/dt)_{cr}$ V/ $\mu s$ DIN IEC 747 - 6	$R_{thJC}$ $^\circ C/W$ 180 ° el sin	$T_{vj\ max}$ $^\circ C$	Outline / page
■ T 201 N	6000 ... 7000	510	88,2	4,2	3,40/0,5	245	1,29	4,18	300	600	H = 2000	0,0430	125	T58.26K/113
◆ T 281 N	6000 ... 6500	600	115,0	4,8	2,75/0,5	280	1,35	2,80	150	1000	F = 1000	0,0430	125	T58.26K0/113
■ T 501 N	6000 ... 7000	1260	845,0	13,0	2,65/1,0	640	1,30	1,35	300	600	H = 2000	0,0185	125	T76.26K/113
■ T 551 N	6000 ... 7000	1260	845,0	13,0	2,65/1,0	600	1,30	1,35	300	600	H = 2000	0,0205	125	T76.35K/113
◆ T 571 N	6000 ... 6500	1150	442,0	9,4	2,75/1,0	540	1,35	1,40	150	1000	F = 1000	0,0230	125	T76.26K0/113
T 1081 N	6000 ... 7000	2830	5780,0	34,0	2,70/2,0	1330	1,18	0,759	300	600	H = 2000	0,0086	125	T120.26K/114
T 1201 N	6000 ... 7000	2600	5780,0	34,0	2,70/2,0	1230	1,18	0,759	300	600	H = 2000	0,0097	125	T120.35K/114
T 1651N	6000 ... 7000	3610	11500,0	48,0	2,65/3,0	1685	1,22	0,49	300	600	H = 2000	0,0075	125	T120.35K/114
T 1851 N	6000 ... 7000	3940	11500,0	48,0	2,65/3,0	1850	1,22	0,49	300	600	H = 2000	0,0065	125	T120.26K/114
T 1901 N	7000 ... 8000	4520	21100,0	65,0	3,00/4,0	2130	1,24	0,44	300	550	H = 2000	0,0054	125	T150.35K/114
T 2251N	7000 ... 8000	4840	21100,0	65,0	3,00/4,0	2280	1,24	0,44	300	550	H = 2000	0,0048	125	T150.26K/114
T 2871 N	7500 ... 8000	6060	40500,0	90,0	2,95/6,0	2740	1,425	0,31	300	550	H = 2000	0,00445	125	T172.35K/114

Light Triggered Thyristors															
Type	$V_{BO}$ V	$V_{RRM}$ V	$I_{TRMSM}$ A	$\int i^2 dt$ $A^2s \cdot 10^3$ 10 ms $T_{vj\ max}$	$I_{TSM}$ kA 10 ms $T_{vj\ max}$	$V_T/I_T$ V/kA $T_{vj\ max}$	$I_{TAVM}$ A 180 ° el sin $T_c = 85\ ^\circ C$	$V_{(TO)}$ V $T_{vj} = T_{vj\ max}$	$r_T$ $m\Omega$ $T_{vj} = T_{vj\ max}$	$(di/dt)_{cr}$ A/ $\mu s$ DIN IEC 747 - 6	$t_q$ $\mu s$ typ.	$(dv/dt)_{cr}$ V/ $\mu s$ DIN IEC 747 - 6	$R_{thJC}$ $^\circ C/W$ 180 ° el sin	$T_{vj\ max}$ $^\circ C$	Outline / page
T 553 N	6500	7000	1200	684,0	11,7	2,65/1,0	550	1,30	1,350	300	600	H = 2000	0,0200	120	T76.35L/115
T 1503 N	7500	7500 ... 8000	3900	15125,0	55,0	3,00/4,0	1770	1,24	0,440	300	550	H = 2000	0,0063	120	T150.40L/115
T 2563 N	7500	7500 ... 8000	5600	40500,0	90,0	2,95/5,0	2520	1,28	0,278	300	550	H = 2000	0,0048	120	T172.40L/115
T 4003 N	5200	5200	5600	50000,0	100,0	1,80/5,0	3480	0,92	0,142	300	500	H = 2000	0,0048	120	T172.40L/115

- Not for new design
- ◆ New type

## Fast Thyristors

up to 600 V														
Type	$V_{DRM}, V_{RRM}$ $V_{DSM} = V_{DRM}$ $V_{RSM} = V_{RRM} + 50$ V	$I_{TRMSM}$ A	$I_{TSM}$ kA 10 ms, $T_{vj\ max}$	$V_T/I_T$ V/kA $T_{vj\ max}$	$V_{(T0)}$ V $T_{vj} = T_{vj\ max}$	$r_T$ m $\Omega$ $T_{vj} = T_{vj\ max}$	$(di/dt)_{cr}$ A/ $\mu$ s DIN IEC 747 - 6	$t_q$ $\mu$ s typ.	$(dv/dt)_{cr}$ V/ $\mu$ s DIN IEC 747 - 6	$V_{GT}$ V $T_{vj} = 25$ °C	$I_{GT}$ mA $T_{vj} = 25$ °C	$R_{thJC}$ °C/W 180 ° el sin	$T_{vj\ max}$ °C	Outline / page
T 178 F04 TMC	400	300	1,9	1,85/0,5	1,02	1,55	300	$M \leq 50$	$C = 500$	2	200	0,180	140	T41.14/112
T 1078 F04 TDC	400	2000	14,5	1,81/3,5	1,02	0,2	200	$D \leq 15$	$C = 500$	2	250	0,033	140	T50.14/112

up to 1400 V														
Type	$V_{DRM}, V_{RRM}$ $V_{DSM} = V_{DRM}$ $V_{RSM} = V_{RRM} + 50$ V	$I_{TRMSM}$ A	$I_{TSM}$ kA 10 ms, $T_{vj\ max}$	$V_T/I_T$ V/kA $T_{vj\ max}$	$V_{(T0)}$ V $T_{vj} = T_{vj\ max}$	$r_T$ m $\Omega$ $T_{vj} = T_{vj\ max}$	$(di/dt)_{cr}$ A/ $\mu$ s DIN IEC 747 - 6	$t_q$ $\mu$ s typ.	$(dv/dt)_{cr}$ V/ $\mu$ s DIN IEC 747 - 6	$V_{GT}$ V $T_{vj} = 25$ °C	$I_{GT}$ mA $T_{vj} = 25$ °C	$R_{thJC}$ °C/W 180 ° el sin	$T_{vj\ max}$ °C	Outline / page
T 408 F11 TFC	1100	750	6,4	2,20/1,4	1,2	0,63	200	$F \leq 25$	$C = 500$	2,2	250	0,053	125	T50.14/112
T 408 F12 TSB	1200	750	6,4	2,20/1,4	1,2	0,63	200	$S \leq 18$	$B = 50$	2,2	250	0,053	125	T50.14/112
T 408 F12 TSC	1200	750	6,4	2,20/1,4	1,2	0,63	200	$S \leq 18$	$C = 500$	2,2	250	0,053	125	T50.14/112
T 1052 S12 TDC	1200	2200	20,0	2,70/4,0	1,45	0,30	400	$D \leq 15$	$C = 500$	2,2	300	0,018	125	T75.26K/113

All Fast Thyristors not for new design

## Fast Thyristors

up to 2000 V															
Type	$V_{DRM}, V_{RRM}$ $V_{DSM} = V_{DRM}$ $V_{RSM} = V_{RRM} + 50 \text{ V}$	$I_{TRMSM}$ A	$I_{TSM}$ kA 10 ms, $T_{vj \max}$	$V_T/I_T$ V/kA $T_{vj \max}$	$V_{(T0)}$ V $T_{vj} = T_{vj \max}$	$r_T$ m $\Omega$ $T_{vj} = T_{vj \max}$	$(di/dt)_{cr}$ A/ $\mu$ s DIN IEC 747 - 6	$t_q$ $\mu$ s typ.	$(dv/dt)_{cr}$ V/ $\mu$ s DIN IEC 747 - 6	$V_{GT}$ V $T_{vj} = 25 \text{ }^\circ\text{C}$	$I_{GT}$ mA $T_{vj} = 25 \text{ }^\circ\text{C}$	$R_{thJC}$ $^\circ\text{C/W}$ 180 ° el sin	$T_{vj \max}$ $^\circ\text{C}$	Outline / page	
T 930 S16 TFB	1600	2000	18	2,70/3,5	1,35	0,33	250	F ≤ 25	B = 50	2,2	250	0,021	125	T75.26K/113	
T 930 S16 TKC	1600	2000	18	2,70/3,5	1,35	0,33	250	K ≤ 40	C = 500	2,2	250	0,021	125	T75.26K/113	
T 930 S18 TKB	1800	2000	18	2,70/3,5	1,35	0,33	250	K ≤ 40	B = 50	2,2	250	0,021	125	T75.26K/113	
T 930 S18 TMC	1800	2000	18	2,70/3,5	1,35	0,33	250	M ≤ 50	C = 500	2,2	250	0,021	125	T75.26K/113	
T 930 S20 TMC	2000	2000	18	2,70/3,5	1,35	0,33	250	M ≤ 50	C = 500	2,2	250	0,021	125	T75.26K/113	

All Fast Thyristors not for new design

## Fast Asymmetric Thyristors

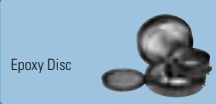
Type	$V_{DRM}$ V $V_{DSM} = V_{DRM}$	$V_{RRM}$ V ( $V_{RRM(C)}$ ) tp = 1 $\mu$ s	$I_{TRMSM}$ A	$I_{TSM}$ kA 10 ms $T_{vj \max}$	$V_T/I_T$ V/kA $T_{vj \max}$	$V_{(T0)}/I_T$ V/m $\Omega$ $T_{vj} = T_{vj \max}$	$(di/dt)_{cr}$ A/ $\mu$ s DIN IEC 747 - 6	$t_q$ $\mu$ s typ.	$(dv/dt)_{cr}$ V/ $\mu$ s DIN IEC 747 - 6	$V_{GT}$ V $T_{vj} = 25 \text{ }^\circ\text{C}$	$I_{GT}$ mA $T_{vj} = 25 \text{ }^\circ\text{C}$	$R_{thJC}$ $^\circ\text{C/W}$ 180 ° el sin	$T_{vj \max}$ $^\circ\text{C}$	Outline / page
A 158 S12 TBF	1200	15 (50)	400	2,45	2,60/0,6	1,3/2,0	400	B ≤ 10	F = 1000	2,7	300	0,117	125	T41.14/112
A 358 S10 TDF	1000	15 (50)	800	5,00	2,75/1,5	1,3/0,9	500	D ≤ 15	F = 1000	2,7	300	0,053	125	T50.14/112
A 358 S12 TBF	1200	15 (50)	800	5,00	2,75/1,5	1,3/0,9	500	B ≤ 10	F = 1000	2,7	300	0,053	125	T50.14/112
A 438 S12 TDF	1200	15 (50)	900	5,50	2,10/1,5	1,1/0,6	500	D ≤ 15	F = 1000	2,7	300	0,053	125	T50.14/112

All Fast Asymmetric Thyristors not for new design

# Overview Rectifier in Disc Housings

$V_{RRM}$  – Concept

9000 V					D471N				D2601NH		
6800 V					D711N			D1481N	D2601N		
5800 V									D3001N		
5000 V									D3041N		
4800 V	1500 $V_{RMS}$				D749N			D1800N			D6001N
4600 V								D1809N			
4500 V											
4400 V											
4000 V					D849N	D1069N			D3501N		
3600 V	1100 $V_{RMS}$				D269N						
3400 V											
3200 V											
2800 V					D748N			D2209N	D2200N		D4709N
2600 V						D1029N					
2400 V							D1709N	D2659N	D2650N		
2200 V	690 $V_{RMS}$				D660N						D4201N
2000 V					D428N						
1800 V	550 $V_{RMS}$					D798N					
1600 V											
1400 V	400 $V_{RMS}$										
1200 V											
600 V		D448N	D758N								
400 V					D2228N	D4457N	D5807N / D5809N	D8019N			
Pellet $\varnothing$	17 mm	21 mm	30 mm	30 mm	38 mm	46 mm	56 mm	65 mm	75/80 mm	101 mm	
Case $\varnothing$		41 mm		50 mm	57/60 mm		75 mm	100 mm	120 mm	150 mm	





High Power-Discs

Epoxy-Discs



# Rectifier Diodes


up to 800 V										
Type 	$V_{RRM}$ V $V_{RSM} = V_{RRM} + 50$ V	$I_{FRMSM}$ A	$I_{FSM}$ kA 10 ms, $T_{vj\ max}$	$\int i^2 dt$ $A^2 \cdot s \cdot 10^3$ 10 ms $T_{vj\ max}$	$I_{FAVM}/T_c$ $A/^\circ C$ 180° sinus	$V_{(TO)}$ V $T_{vj} = T_{vj\ max}$	$r_T$ $m\Omega$ $T_{vj} = T_{vj\ max}$	$R_{thJC}$ $^\circ C/W$ 180° el sin	$T_{vj\ max}$ $^\circ C$	Outline / page
D 255 N	200 ... 800*	400	4,6	105,8	255/110	0,65	0,850	0,230	180	DSW27/116
D 255 K	200 ... 800*	400	4,0	80,0	255/75	0,65	0,850	0,345	180	DSW27/116
D 448 N	200 ... 800*	710	5,1	130,0	450/122	0,70	0,510	0,102	180	D41.14/117
D 758 N	400 ... 800*	1195	8,8	387,2	760/115	0,70	0,310	0,067	180	D41.14/117
D 2228 N	200 ... 600	4000	28,5	4061,0	2230/110	0,70	0,0975	0,0254	180	D60.14/117
D 2898 N	400 ... 600	6100	32,3	5200,0	2894/100	0,66	0,060	0,0254	180	D60.14/117
D 4457 N	400 ... 600	7000	52,0	13500,0	4460/111	0,70	0,047	0,0128	180	D60.8/117
D 5807 N	400 ... 600	9100	70,0	24500,0	5800/108	0,70	0,040	0,0098	180	D73.8/117
D 5809 N	400 ... 600	9100	70,0	24500,0	5800/58	0,70	0,040	0,0166	180	D75.26/117
D 6247 N	400 ... 600	9800	52,0	13500,0	6242/68	0,66	0,047	0,013	180	D60.8/117
D 8019 N	200 ... 600	13300	95,0	45000,0	8020/56	0,70	0,027	0,0125	180	D100.26/118
D 8407 N	400 ... 600	13200	70,0	24500,0	8408/64	0,66	0,036	0,0098	180	D73.8/117

up to 1800 V										
Type 	$V_{RRM}$ V $V_{RSM} = V_{RRM} + 100$ V	$I_{FRMSM}$ A	$I_{FSM}$ kA 10 ms, $T_{vj\ max}$	$\int i^2 dt$ $A^2 \cdot s \cdot 10^3$ 10 ms $T_{vj\ max}$	$I_{FAVM}/T_c$ $A/^\circ C$ 180° sinus	$V_{(TO)}$ V $T_{vj} = T_{vj\ max}$	$r_T$ $m\Omega$ $T_{vj} = T_{vj\ max}$	$R_{thJC}$ $^\circ C/W$ 180° el sin	$T_{vj\ max}$ $^\circ C$	Outline / page
D 452 N	1200 ... 1800	710	10,8	583,2	450/130	0,77	0,48	0,0855	180	DFL54/116
D 452 K	1200 ... 1800	710	10,8	583,2	450/130	0,77	0,48	0,0855	180	DFL54/116
D 798 N	1200 ... 1800*	1650	11,8	696,0	800/130	0,81	0,28	0,0460	180	D50.14/117
D 1049 N	1200 ... 1800	2590	18,5	1710,0	1050/130	0,81	0,17	0,0380	180	D57.26/117

■ Not for new design


\* Highest voltage on request


## Rectifier Diodes

up to 3000 V										
Type 	$V_{RRM}$ V $V_{RSM} = V_{RRM} + 100$ V	$I_{FRMSM}$ A	$I_{FSM}$ kA 10 ms, $T_{vj\ max}$	$\int i^2 dt$ $A^2 \cdot s \cdot 10^3$ 10 ms $T_{vj\ max}$	$I_{FAVM}/T_c$ $A/^\circ C$ 180° sinus	$V_{(TO)}$ V $T_{vj} = T_{vj\ max}$	$r_T$ $m\Omega$ $T_{vj} = T_{vj\ max}$	$R_{thJC}$ $^\circ C/W$ 180° el sin	$T_{vj\ max}$ $^\circ C$	Outline / page
D 121 N	1200 ... 2000	360	2,6	33,8	120/130	0,72	1,90	0,324	180	DSW27/116
D 121 K	1200 ... 2000	330	2,4	28,8	120/130	0,72	1,90	0,434	180	DSW27/116
D 251 N	1200 ... 2000	400	5,3	140,5	250/130	0,80	0,85	0,151	180	DSW27/116
D 251 K	1200 ... 2000	400	4,7	110,5	250/102	0,80	0,85	0,236	180	DFL36/116
D 400 N	1600 ... 2200	710	9,8	480,2	400/130	0,70	0,62	0,095	180	DSW41/116
D 400 K	1600 ... 2200	710	9,8	480,2	400/130	0,70	0,62	0,095	180	DSW41/116
D 428 N	1200 ... 2000	840	6,0	180,0	430/139	0,81	0,54	0,069	180	D41.14/117
D 660 N	1200 ... 2200	1435	10,25	525,0	660/130	0,70	0,50	0,050	180	D41.14K/118
D 748 N	2000 ... 2800	1260	9,0	405,0	750/100	0,83	0,52	0,045	160	D50.14/117
D 1029 N	1800 ... 2600	2040	14,5	1051,0	1030/100	0,82	0,28	0,038	160	D57.26/117
D 1030 N	1800 ... 2600	2040	14,5	1051,0	1030/100	0,82	0,28	0,038	160	D57.26K/118
D 1709 N	2000 ... 2400	2700	18,0	1620,0	1700/90	0,83	0,20	0,0245	160	D75.26/117
D 2200 N	2000 ... 2800	4900	35,0	6125,0	2200/100	0,83	0,145	0,017	160	D75.26K/118
D 2209 N	2000 ... 2800	4900	35,0	6125,0	2200/100	0,83	0,145	0,017	160	D75.26/117
D 2650 N	2000 ... 2400	4710	33,5	5611,0	2650/100	0,82	0,148	0,0169	180	D75.26K/118
D 2659 N	2000 ... 2400	4710	33,5	5611,0	2650/100	0,82	0,148	0,0169	180	D75.26/117
D 4201 N	1600 ... 2200	11200	73,5	27000,0	4830/100	0,668	0,081	0,0092	160	D120.35K/119
D 4709 N	2000 ... 2800	8400	60,0	18000,0	4700/100	0,83	0,07	0,008	160	D110.26/118

■ Not for new design

# Rectifier Diodes

up to 5000 V										
Type 	$V_{RRM}$ V $V_{RSM} = V_{RRM} + 100$ V	$I_{FRMSM}$ A	$I_{FSM}$ kA 10 ms, $T_{vj\ max}$	$\int i^2 dt$ $A^2 \cdot s \cdot 10^3$ 10 ms $T_{vj\ max}$	$I_{FAVM}/T_c$ $A/^\circ C$ 180° sinus	$V_{(TO)}$ V $T_{vj} = T_{vj\ max}$	$r_T$ $m\Omega$ $T_{vj} = T_{vj\ max}$	$R_{thJC}$ $^\circ C/W$ 180° el sin	$T_{vj\ max}$ $^\circ C$	Outline / page
■ D 269 N	3200 ... 3600	550	4,0	80	270/100	0,860	1,540	0,0980	150	D57.26/117
D 475 N	3200 ... 4000	745	10,9	594	475/100	0,765	0,612	0,0850	160	DSW41.1/116
■ D 475 K	3200 ... 4000	745	10,9	594	475/100	0,765	0,612	0,0850	160	DSW41.1/116
D 749 N	3600 ... 4800*	1540	11,0	605	750/100	0,850	0,650	0,0390	160	D57.26/117
D 849 N	2800 ... 4000*	1790	12,8	819	850/100	0,840	0,485	0,0380	160	D57.26/117
D 850 N	2800 ... 4000*	1790	12,8	819	850/100	0,840	0,485	0,0380	160	D57.26K/118
■ D 1069 N	3600 ... 4400	2200	15,5	1201	1070/100	0,850	0,460	0,0270	160	D75.26/117
D 1809 N	3200 ... 4800	3850	27,5	3781	1800/100	0,850	0,253	0,0169	160	D75.26/117
D 1800 N	3200 ... 4800	3850	27,5	3781	1800/100	0,850	0,253	0,0169	160	D75.26K/118
D 3501 N	3200 ... 4200	8200	56,0	15680	3690/100	0,734	0,133	0,0092	160	D120.35K/119
◆ D 6001 N	4500 ... 5000	13000	110,0	60500	6070/100	0,800	0,090	0,0046	160	D150.26K/119

up to 10000 V										
Type 	$V_{RRM}$ V $V_{RSM} = V_{RRM} + 100$ V	$I_{FRMSM}$ A	$I_{FSM}$ kA 10 ms, $T_{vj\ max}$	$\int i^2 dt$ $A^2 \cdot s \cdot 10^3$ 10 ms $T_{vj\ max}$	$I_{FAVM}/T_c$ $A/^\circ C$ 180° sinus	$V_{(TO)}$ V $T_{vj} = T_{vj\ max}$	$r_T$ $m\Omega$ $T_{vj} = T_{vj\ max}$	$R_{thJC}$ $^\circ C/W$ 180° el sin	$T_{vj\ max}$ $^\circ C$	Outline / page
D 711 N	5800 ... 6800	1670	10,5	550	790/100	0,840	0,870	0,0315	160	D58.26K/118
D 1481 N	5800 ... 6800	3610	24,5	3000	1650/100	0,750	0,420	0,0158	160	D76.26K/119
D 3001 N	5800 ... 6800	6340	53,0	14040	2900/100	0,840	0,216	0,0092	160	D120.35K/119
D 3041N	5800 ... 6800	6620	53,0	14040	2900/100	0,840	0,216	0,00855	160	D120.26K/119
D 471 N	8000 ... 9000	1200	10,0	500	565/100	1,040	1,780	0,0315	160	D58.26K/118
D 2601 N	8500 ... 9000	4820	50,0	12500	2240/100	0,944	0,412	0,00855	160	D120.26K/119

■ Not for new design

◆ New type

\* Highest voltage on request

## GCT – Freewheeling Diodes

Type	$V_{(RRM)}$ V	$V_{(RID)}$ *) kV $T_c = 25$ typ.	$I_{(FSM)}$ kA sin, 10 ms $T_{vj\ max}$	$\int i^2 dt$ $A^2 \cdot s \cdot 10^3$ sin, 10 ms $T_{vj\ max}$	$V_{(F)}/I_{(FM)}$ V/2,5 kA $T_{vj} = T_{vj\ max}$ sin	$I_{(RM)}$ A $di/dt = 1000\ A/\mu s$ $I_{(FM)} = 2,5\ kA$ $T_{vj} = T_{vj\ max}$	$Q_{(rr)}$ mAs $di/dt = 1000\ A/\mu s$ $I_{(FM)} = 2,5\ kA$ $T_{vj} = T_{vj\ max}$	$R_{thJC}$ $^{\circ}C/W$ DC	$T_{vj\ max}$ $^{\circ}C$	Outline / page
D 911 SH	4500	2,8	17,0	1445	6,0	1200**)	2,8**)	0,0100	140	D100.26K/119
D 1031 SH	4500	2,8	23,0	2645	4,2	1500**)	3,5**)	0,0100	140	D100.26K/119
D 1121 SH	4500	2,8	17,5	1530	5,6	1200**)	3,5**)	0,0075	140	D120.26K/119
D 1331 SH	4500	2,8	28,0	3920	4,2	1500**)	3,5**)	0,0075	140	D120.26K/119
◆ D 1961 SH	4500	2,8	40,0	8000	2,5	2250**)	12,0**)	0,0075	140	D120.26K/119
D 931 SH	6500	3,2	16,0	1280	5,6	1300**)	3,5**)	0,0100	140	D100.26K/119
D 1131 SH	6500	3,2	22,0	2400	5,6	1300**)	3,5**)	0,0075	140	D120.26K/119
D 1951 SH	6500	3,2	44,0	9680	4,0	1800**)	5,0**)	0,0045	140	D150.26K/119

\*) Estimate failure rate  $\lambda \sim 100$  fit

◆ New type


\*\*) Clamp circuit  $L = 0,25\ \mu H$ 

## GTO – Freewheeling Diodes

Type	$V_{(DRM)}$ V	$V_{(DID)}$ *) kV $T_c = 25$ typ.	$I_{(FSM)}$ kA sin, 10 ms $T_{vj\ max}$	$\int i^2 dt$ $A^2 \cdot s \cdot 10^3$ sin, 10 ms $T_{vj\ max}$	$V_{(F)}/I_{(FM)}$ V/2,5 kA $T_{vj} = T_{vj\ max}$ sin	$I_{(RM)**)}$ A $di/dt = 250\ A/\mu s$ $I_{(FM)} = 1\ kA$ $T_{vj} = T_{vj\ max}$	$Q_{(rr)**)}$ mAs $di/dt = 250\ A/\mu s$ $I_{(FM)} = 1\ kA$ $T_{vj} = T_{vj\ max}$	$(-di/dt)_{com}$ a/ $\mu s$	$R_{thJC}$ $^{\circ}C/W$ DC	$T_{vj\ max}$ $^{\circ}C$	Outline / page
D 1170 S	2000, 2500	1,25	24,0	2880	2,62/6,4	580	1,7		0,0184	120	D75.26K/118
D 721 S	3500 ... 4500	2,0	18,0	1130	3,50/2,5	600	1,7	500	0,0180	125	D76.26K/119
D 1461 S	3500 ... 4500	2,0	28,0	5120	2,50/2,5	840	2,8	500	0,0125	140	D100.26K/119
D 1251 S	4500	2,5	18,0	1620	2,50/2,5	800	3,0	500	0,0100	140	D76.14K/119
D 921 S	4500	2,5	28,0	5120	2,60/2,5	700	2,8	500	0,0125	140	D100.26K/119
D 1381 S	4500	3,0	28,0	5120	2,60/2,5	700	2,8	500	0,0125	140	D100.26K/119

\*) Estimate failure rate  $\lambda \sim 100$  fitGTO-Snubber \*\*)  $V_{(R)} = 0,5 V_{(RRM)}$ ,  $V_{(RM)} = 0,8 V_{(RRM)}$

## GTO Snubber Diodes and general use

Type 	$V_{(RRM)}$ V	$V_{R(cr)}$ V <sup>1)</sup>	$I_{(FSM)}$ kA sin, 10 ms $T_{vj} = T_{vj\ max}$	$V_{(FV)}/I_{(FM)}$ V/kA sin, 10 ms $T_{vj} = T_{vj\ max}$	$V_{FRM}$ typ. V di/dt = 1000 A/ $\mu$ s $T_{vj} = T_{vj\ max}$	$R_{(th)JC}$ $^{\circ}C/W$ DC	$T_{vj\ max}$ $^{\circ}C$	Outline / page
D 170 S	2500	1500	3,70	2,30/0,8		0,180	140	DSW27.1/116
D 170 U	2500	1500	3,15	2,15/0,65		0,250	140	DSW27.1/116
D 228 S	2500	1500	3,20	2,12/0,5		0,075	125	D60.14/117
D 56 S	4500	3000	1,35	4,50/0,32	145	0,245	125	DSW27.2/116
D 56 U	4500	3000	1,20	4,15/0,28	75	0,325	125	DSW27.2/116
D 291 S	3500 ... 4500	3200	4,50	4,15/1,2	145	0,040	125	D58.26K/118
D 841 S	4500	3200	15,00	3,50/2,5	75	0,010	125	D76.14K/119
snubberless:								
D 371 S	4500	3200	6,00	3,90/1,2	150	0,035	125	D58.26K/118
D 801 S	4500	3200	14,00	3,70/2,5	85	0,010	125	D76.14K/119
D 901 S	3500 ... 4500	2500	21,50	3,50/2,5	70	0,0125	125	D100.26K/119

<sup>1)</sup> Maximum permissible link voltage, GTO snubber diode


## Fast Rectifier Diodes


up to 1000 V											
Type	$V_{RRM}$ V $V_{RSM} = V_{RRM} + 100$ V	$I_{FRMSM}$ A	$I_{FSM}$ kA 10 ms $T_{vj\ max}$	$\int i^2 dt$ $A^2s \cdot 10^3$ 10 ms $T_{vj} = T_{vj\ max}$	$I_{FAVM}/T_c$ $A/^\circ C$ 180° sinus	$V_{(TO)}$ V $T_{vj} = T_{vj\ max}$	$r_T$ $m\Omega$ $T_{vj} = T_{vj\ max}$	$I_{RM}$ A $T_{vj\ max}$ $i_F = I_{FAVM}$ , $di_F/dt = 50$ A/ $\mu s$	$R_{thJC}$ $^\circ C/W$ 180° el sin	$T_{vj\ max}$ $^\circ C$	Outline / page
D 138 S	900 ... 1000	230	1,6	12,80	138/85	1,32	2,20	47 <sup>1)</sup>	0,140	125	D41.14/117
D 358 S	600 ... 1000	730	5,2	135,20	358/100	1,05	0,80	70	0,079	150	D41.14/117
D 648 S	800 ... 1000	1400	10,1	510,05	648/100	1,05	0,43	82	0,044	150	D50.14/117
D 649 S	800 ... 1000	1400	10,1	510,05	650/96	1,05	0,43	82	0,048	150	D57.26/117

<sup>1)</sup>  $i_{FM} = 225$  A,  $-di_F/dt = 100$  A/ $\mu s$

up to 1400 V											
Type	$V_{RRM}$ V $V_{RSM} = V_{RRM} + 100$ V	$I_{FRMSM}$ A	$I_{FSM}$ kA 10 ms $T_{vj\ max}$	$\int i^2 dt$ $A^2s \cdot 10^3$ 10 ms $T_{vj} = T_{vj\ max}$	$I_{FAVM}/T_c$ $A/^\circ C$ 180° sinus	$V_{(TO)}$ V $T_{vj} = T_{vj\ max}$	$r_T$ $m\Omega$ $T_{vj} = T_{vj\ max}$	$I_{RM}$ A $T_{vj\ max}$ $i_F = I_{FAVM}$ , $di_F/dt = 50$ A/ $\mu s$	$R_{thJC}$ $^\circ C/W$ 180° el sin	$T_{vj\ max}$ $^\circ C$	Outline / page
D 188 S	1000 ... 1400	290	1,9	18,05	185/100	1,00	1,80	80	0,150	150	D41.14/117
D 211 S	1000 ... 1400	400	4,3	92,45	211/100	1,00	1,00	100	0,155	150	DSW27/116
D 211 U	1000 ... 1400	400	3,9	76,05	150/100	1,00	1,00	100	0,245	150	DSW27/116
D 238 S	1200	455	3,2	51,20	238/85	1,45	1,10	45	0,080	125	D41.14/117
D 368 S	1000 ... 1400	730	5,2	135,20	368/100	1,00	0,80	102	0,080	150	D41.14/117
D 658 S	1000 ... 1400	1400	10,1	510,05	658/100	1,00	0,45	122	0,044	150	D50.14/117
D 659 S	1000 ... 1400	1400	10,1	510,05	660/95	1,00	0,45	122	0,048	150	D57.26/117

# Fast Rectifier Diodes

up to 2600 V											
Type 	$V_{RRM}$ V $V_{RSM} = V_{RRM} + 100$ V	$I_{FRMSM}$ A	$I_{FSM}$ kA 10 ms $T_{vj\ max}$	$\int i^2 dt$ $A^2s \cdot 10^3$ 10 ms $T_{vj} = T_{vj\ max}$	$I_{FAVM}/T_c$ $A/^\circ C$ 180° sinus	$V_{(TO)}$ V $T_{vj} = T_{vj\ max}$	$r_T$ $m\Omega$ $T_{vj} = T_{vj\ max}$	$I_{RM}$ A $T_{vj\ max}$ $i_F = I_{FAVM}$ , $di_F/dt = 50$ A/ $\mu s$	$R_{thJC}$ $^\circ C/W$ 180° el sin	$T_{vj\ max}$ $^\circ C$	Outline / page
D 170 S	2500	400	3,70	68,45	170/85	1,10	1,40	340 <sup>3)</sup>	0,190	140	DSW27.1/116
D 170 U	2500	330	3,15	49,60	170/64	1,10	1,50	340 <sup>3)</sup>	0,260	140	DSW27.1/116
D 228 S	2200, 2500	450	3,20	51,20	228/85	1,18	1,80	280	0,080	125	D41.14/117
D 348 S	1600 ... 2000	645	4,60	105,80	348/100	1,00	0,90	160	0,080	150	D41.14/117
D 438 S	1600 ... 2000	740	5,30	140,50	440/100	1,14	0,725	770 <sup>4)</sup>	0,059	150	D41.14/117
D 440 S	1600 ... 2000	740	5,30	140,50	440/100	1,14	0,725	770 <sup>4)</sup>	0,059	150	D57.26K/118
D 509 S	2400 ... 2600	1050	7,50	281,25	509/100	1,00	0,80	205	0,049	150	D57.26/117
D 675 S	2000, 2500	1200	8,50	361,00	675/85	1,25	0,50	860 <sup>5)</sup>	0,039	140	D57.26K/118
D 689 S	2000 ... 2600	1600	11,50	661,25	690/100	1,00	0,50	230	0,039	150	D57.26/117
D 690 S											D57.26K/118
D 1169 S	2000, 2500	3360	24,00	2880,00	1170/85	1,16	0,21	580 <sup>6)</sup>	0,0194	125	D75.26/117
D 1170 S	2000, 2500	3360	24,00	2880,00	1170/85	1,16	0,21	580 <sup>6)</sup>	0,0194	125	D75.26K/118
D 1408 S	2000, 2500	3360	24,00	2880,00	1410/85	1,16	0,21	580 <sup>6)</sup>	0,015	125	D75.14/117

up to 6000 V											
Type 	$V_{RRM}$ V $V_{RSM} = V_{RRM} + 100$ V	$I_{FRMSM}$ A	$I_{FSM}$ kA 10 ms $T_{vj\ max}$	$\int i^2 dt$ $A^2s \cdot 10^3$ 10 ms $T_{vj} = T_{vj\ max}$	$I_{FAVM}/T_c$ $A/^\circ C$ 180° sinus	$V_{(TO)}$ V $T_{vj} = T_{vj\ max}$	$r_T$ $m\Omega$ $T_{vj} = T_{vj\ max}$	$I_{RM}$ A $T_{vj\ max}$ $i_F = I_{FAVM}$ , $di_F/dt = 50$ A/ $\mu s$	$R_{thJC}$ $^\circ C/W$ 180° el sin	$T_{vj\ max}$ $^\circ C$	Outline / page
D 56 S	4000, 4500	160	1,35	9,10	56/85	1,64	8,00	230 <sup>2)</sup>	0,26	125	DSW27.2/116
D 56 U	4000, 4500	140	1,20	7,20	56/73	1,64	8,00	230 <sup>2)</sup>	0,34	125	DSW27.2/116

<sup>1)</sup>  $i_{FM} = 150$  A, -  $di_F/dt = 200$  A/ $\mu s$


<sup>4)</sup>  $i_{FM} = 1600$  A, -  $di_F/dt = 600$  A/ $\mu s$

<sup>2)</sup>  $i_{FM} = 500$  A, -  $di_F/dt = 200$  A/ $\mu s$

<sup>5)</sup>  $i_{FM} = 1000$  A, -  $di_F/dt = 250$  A/ $\mu s$


<sup>3)</sup>  $i_{FM} = 500$  A, -  $di_F/dt = 250$  A/ $\mu s$

## Avalanche Rectifier Diodes

Type 	$V_{RRM}$ V $V_{RSM} = V_{RRM} + 100$ V	$I_{FRMSM}$ A	$I_{FSM}$ kA 10 ms, $T_{vj\ max}$	$\int i^2 dt$ $A^2 \cdot s \cdot 10^3$ 10 ms, $T_{vj\ max}$	$I_{FAVM}/T_c$ $A/^\circ C$ 180° sinus	$V_{(TO)}$ V $T_{vj} = T_{vj\ max}$	$r_T$ $m\Omega$ $T_{vj} = T_{vj\ max}$	$V_{(BR)}$ A min.	$R_{thJC}$ $^\circ C/W$ 180° el sin	$T_{vj\ max}$ $^\circ C$	Outline / page
D 126 A 45	4500	315	2,30	26,45	126/100 200/35	0,86	3,2	4800	0,257	160	DSW27.2/116
D 126 B 45	4500	300	2,10	22,00	126/80 190/9	0,86	3,2	4800	0,337	160	DSW27.2/116
DD 126 A 45 K-B9*	4500	220	2,30	26,45	128/100	0,86	3,2	4800	0,060	160	DP30.1/120

\* Non isolated module

## Welding Diodes

up to 600 V											
Type 	$V_{RRM}$ V $V_{RSM} = V_{RRM} + 50$ V	$I_{FRMSM}$ A	$I_{FSM}$ kA 10 ms, $T_{vj\ max}$	$\int i^2 dt$ $A^2 \cdot s \cdot 10^3$ 10 ms $T_{vj\ max}$	$I_{FAVM}/T_c$ $A/^\circ C$ 180° sinus	$V_{(TO)}$ V $T_{vj} = T_{vj\ max}$	$r_T$ $m\Omega$ $T_{vj} = T_{vj\ max}$	$R_{thJC}$ $^\circ C/W$ 180° el sin	$T_{vj\ max}$ $^\circ C$	Outline / page	
25 DN 06	600	1800	12,75	813	1145/155	0,70	0,188	0,0174	180	25DN06/118	
38 DN 06	600	6100	32,3	5200	3885/120	0,66	0,060	0,0124	180	38DN06/118	
46 DN 06	600	8000	52,0	13500	5100/118	0,70	0,047	0,00935	180	46DN06/118	
56 DN 06	600	10050	70,0	24500	6400/116	0,70	0,040	0,0062	180	56DN06/118	
65 DN 06	600	13300	95,0	45000	8470/98	0,70	0,027	0,0047	180	65DN06/118	

## Insulated Cells

Type	$V_M$ V	$V_{RMS}/V_{DC}$ V	CTI - Value	Iso-Class	$T_{c(max)}$ $^\circ C$	$R_{thCK}$ $^\circ C/W$	$R_{thC-C(typ)}$ $^\circ C/W$	at clamp. force	$F_{max}$ kN	Weight g	Outline / page
ISO 57/26	6400	2520	250	III a	150	0,010	0,0880	at 12kN	30	260	157.26/120
ISO 72/8	2250	700	250	III a	150	0,005	0,0280	at 20kN	45	130	172.8/120
ISO 75/14	3500	1250	250	III a	150	0,005	0,0435	at 20kN	45	245	175.14/120
ISO 75/26	5900	2250	250	III a	150	0,005	0,0480	at 20kN	45	460	175.26/120

Insulating material: AlN



# Possible Combinations of Disc Devices and Heatsinks

for air cooling  
for water cooling

applicable up to V <sub>RRM</sub>	line voltage up to	BE/KK = Elements per Heatsink												
7000 V	2500 V	1	K0.05.7F	K0.05.7F	K0.05.7F		K0.05.7F		K0.05.7F	KE01	KE01	KE01	KE01	KE01
		1								KE02	KE02	KE02	KE02	KE02
		2												
		2	K0.08.7F	K0.08.7F	K0.08.7F		K0.08.7F		K0.08.7F					
6000 V	2000 V	1	K0.05F	K0.05F	K0.05F		K0.05F		K0.05F	K0.048F	K0.048F			
		2	K0.08F K0.92S	K0.08F K0.92S	K0.08F K0.92S		K0.08F K0.92S		K0.08F K0.92S					
2600 V	1500 V	2, 4, 6							K53 K63	K53 K63	K53 K63	K53 K63	K53 K63	
2200 V	690 V	1	KK32	KK32										
		2	KK34	KK34										
		1	K0.12F K0.36S	K0.12F K0.36S			K0.12F K0.36S							
		2	K0.17F K0.22F	K0.17F K0.22F			K0.17F K0.22F							
		2	K0.65S	K0.65S			K0.65S							
		2	K0.024W	K0.024W	K0.024W	K0.024W	K0.024W	K0.024W	K0.024W					
		2, 4, 6	KA20;KC20;KD20	KA20;KC20;KD20	KA20;KC20;KD20	KA20;KC20;KD20	KA20;KC20;KD20	KA20;KC20;KD20	KA20;KC20;KD20					
Outline			D41.14	D50.14	D57.26	D60.8	D60.14	D73.8	D75.26	D100.26	D110.26	D120.35		
			T41.14	T50.14	T57.26		T60.14		T75.26	T100.26	T110.26 T110.35	T120.35 T120.26	T150.35	

according to EN50178 pollution degree 2  
pollution degree 3 on request

## Examples of implemented ModSTACK™

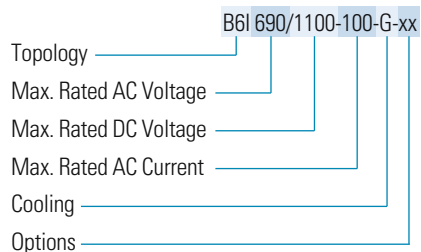
for air cooling  
for water cooling

Up to 400 Vac	Irms [A]	at fsw [Hz]	Remarks	Size Outline/Page
B6I 400/600-460-G	460	3000	inverter	MS2/80
B6I 400/600-480-W	480	3000	inverter	MS2/80

Up to 500 Vac	Irms [A]	at fsw [Hz]	Remarks	Size Outline/Page
B6I 500/800-220-F	220	2500	inverter	MS1/79
B6I 500/800-220-G	220	2500	inverter	MS1/79
B6I 500/800-250-W	250	2500	inverter	MS1/79
2B6I 500/800-330-G	2 x 330	3000	2 inverter parallel	MS3/81
2B6I 500/800-350-W	2 x 350	3000	2 inverter parallel	MS3/81
2B6I 500/800-400-G	2 x 400	3000	2 inverter parallel	MS3/81
2B6I 500/800-450-W	2 x 450	3000	2 inverter parallel	MS3/81
2B6I 500/800-600-W	2 x 600	3000	2 inverter parallel	MS4/82

Other topologies and ratings possible. Please refer to page 67.

### Mod STACK™ Type Designation System:



#### Descriptors

G = forced air cooling  
W = water cooling  
F = fan included

#### Options

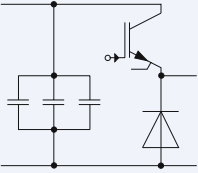
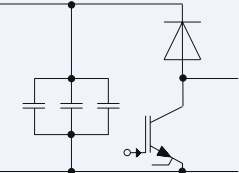
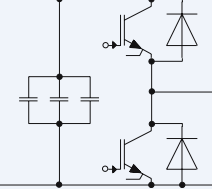
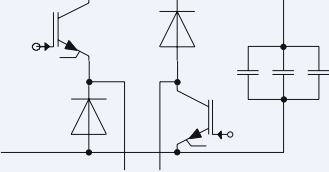
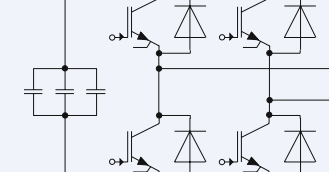
M = Master  
S = slave, single use  
O = fiber optic interface  
X = voltage signal interface

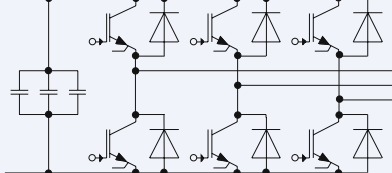
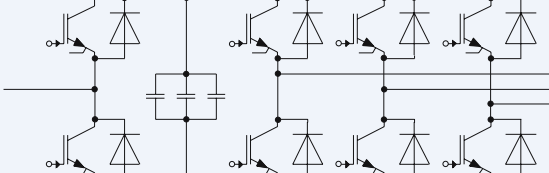
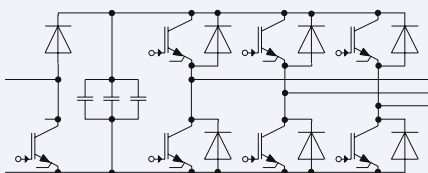
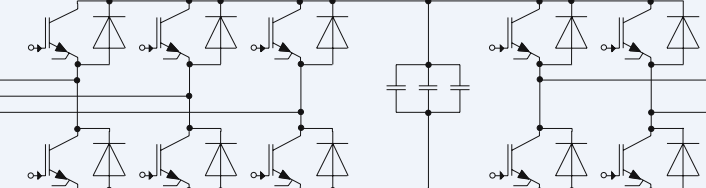
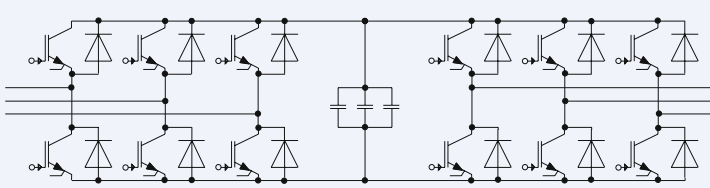
Up to 690 Vac	Irms [A]	at fsw [Hz]	Remarks	Size Outline/Page
B6I 690/1100-100-G	100	2500	inverter	MS1/79
B6I 690/1100-150-G	150	2500	inverter	MS1/79
B6I 690/1100-250-G	250	2250	inverter	MS2/80
B6I 690/1100-375-G	375	1250	inverter	MS2/80
B6I 690/1100-460-W	460	2500	inverter	MS2/80
B6I+B6I 690/1100-300-G	300	2250	AC/AC converter	MS3/81
B6I+B6I 690/1100-330-G	330	2250	AC/AC converter	MS3/81
2B6I 690/1100-330-G	2 x 330	2250	2 inverter parallel	MS3/81
2B6I 690/1100-400-W	2 x 400	2500	2 inverter parallel	MS3/81
B6I+B6I 690/1100-650-G	650	2250	AC/AC converter	MS4/82
2B6I 690/1100-600-G	2 x 600	2250	2 inverter parallel	MS4/82

Other topologies and ratings possible. Please refer to page 67.

### General Information:

Nominal AC current is rated for a certain switching frequency and at  $T_{amb} = 45^\circ\text{C}$  for air cooled IGBT stacks and  $40^\circ\text{C}$  for water cooled stacks. Starting from nominal current a maximum current of  $1,2 \times I_{nom}$  is possible. Higher switching frequencies result in a derating of the nominal output current.

IGBT Stack Topology	Acronym
	1/2B2IHA
	1/2B2IHK
	1/2B2I
	B2IH
	B2I

IGBT Stack Topology	Acronym
	B6I
	1/2B2I + B6I
	1/2B2IHK + B6I
	B6I + B2I
	B6I + B6I or 2B6I for parallel operation

## PrimeSTACK

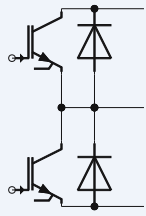
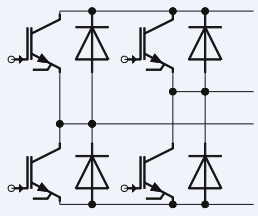
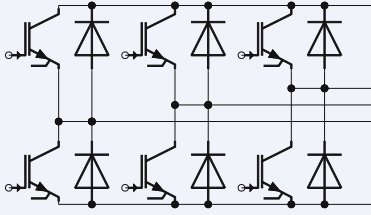
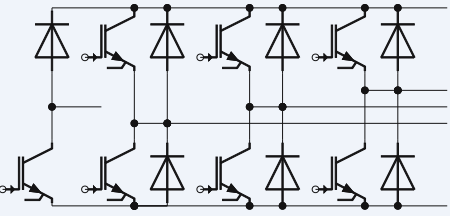
	Type	Implemented IGBT Module	Outline	Outline / page
<b>With 600V IGBT Modules</b>				
IGBT <sup>2</sup> Low Loss	2PS0600R06DLC-2G	BSM300GB60DLC	C2 air cooling	PS_C2G/83
	2PS0900R06DLC-3G	BSM300GB60DLC	C3 air cooling	PS_C3G/85
	2PS1200R06DLC-4G	BSM300GB60DLC	C4 air cooling	PS_C4G/87
	4PS0300R06DLC-3G	BSM300GB60DLC	C3 air cooling	PS_C3G/85
	6PS0300R06DLC-3G	BSM300GB60DLC	C3 air cooling	PS_C3G/85
IGBT <sup>3</sup>	2PS0400R06KE3-2G	FF200R06KE3	C2 air cooling	PS_C2G/83
	2PS0600R06KE3-2G	FF300R06KE3	C2 air cooling	PS_C2G/83
	2PS0800R06KE3-2G	FF400R06KE3	C2 air cooling	PS_C2G/83
	2PS0600R06KE3-3G	FF200R06KE3	C3 air cooling	PS_C3G/85
	2PS0900R06KE3-3G	FF300R06KE3	C3 air cooling	PS_C3G/85
	2PS1200R06KE3-3G	FF400Ra06KE3	C3 air cooling	PS_C3G/85
	2PS0800R06KE3-4G	FF200R06KE3	C4 air cooling	PS_C4G/87
	2PS1200R06KE3-4G	FF300R06KE3	C4 air cooling	PS_C4G/87
	2PS1600R06KE3-4G	FF400R06KE3	C4 air cooling	PS_C4G/87
	6PS0200R06KE3-3G	FF200R06KE3	C3 air cooling	PS_C3G/85
	6PS0300R06KE3-3G	FF300R06KE3	C3 air cooling	PS_C3G/85
	6PS0400R06KE3-3G	FF400R06KE3	C3 air cooling	PS_C3G/85
<b>With 1200V IGBT Modules</b>				
IGBT <sup>2</sup> Low Loss	2PS0200R12DLC-2G	BSM100GB120DLC	C2 air cooling	PS_C2G/83
	2PS0300R12DLC-2G	BSM150GB120DLC	C2 air cooling	PS_C2G/83
	2PS0400R12DLC-2G	BSM200GB120DLC	C2 air cooling	PS_C2G/83
	2PS0600R12DLC-2G	BSM300GB120DLC	C2 air cooling	PS_C2G/83
	2PS0300R12DLC-3G	BSM100GB120DLC	C3 air cooling	PS_C3G/85
	2PS0450R12DLC-3G	BSM150GB120DLC	C3 air cooling	PS_C3G/85
	2PS0600R12DLC-3G	BSM200GB120DLC	C3 air cooling	PS_C3G/85
	2PS0900R12DLC-3G	BSM300GB120DLC	C3 air cooling	PS_C3G/85
	2PS0400R12DLC-4G	BSM100GB120DLC	C4 air cooling	PS_C4G/87
	2PS0600R12DLC-4G	BSM150GB120DLC	C4 air cooling	PS_C4G/87
	2PS0800R12DLC-4G	BSM200GB120DLC	C4 air cooling	PS_C4G/87
	2PS1200R12DLC-4G	BSM300GB120DLC	C4 air cooling	PS_C4G/87
	6PS0100R12DLC-3G	BSM100GB120DLC	C3 air cooling	PS_C3G/85
	6PS0150R12DLC-3G	BSM150GB120DLC	C3 air cooling	PS_C3G/85
6PS0200R12DLC-3G	BSM200GB120DLC	C3 air cooling	PS_C3G/85	
6PS0300R12DLC-3G	BSM300GB120DLC	C3 air cooling	PS_C3G/85	
IGBT <sup>2</sup> Fast	2PS0200R12KS4-2G	FF100R12KS4	C2 air cooling	PS_C2G/83
	2PS0300R12KS4-2G	FF150R12KS4	C2 air cooling	PS_C2G/83
	2PS0400R12KS4-2G	FF200R12KS4	C2 air cooling	PS_C2G/83
	2PS0600R12KS4-2G	FF300R12KS4	C2 air cooling	PS_C2G/83

	Type	Implemented IGBT Module	Outline	Outline / page
IGBT <sup>2</sup> Fast	2PS0300R12KS4-3G	FF100R12KS4	C3 air cooling	PS_C3G/85
	2PS0450R12KS4-3G	FF150R12KS4	C3 air cooling	PS_C3G/85
	2PS0600R12KS4-3G	FF200R12KS4	C3 air cooling	PS_C3G/85
	2PS0900R12KS4-3G	FF300R12KS4	C3 air cooling	PS_C3G/85
	2PS0400R12KS4-4G	FF100R12KS4	C4 air cooling	PS_C4G/87
	2PS0600R12KS4-4G	FF150R12KS4	C4 air cooling	PS_C4G/87
	2PS0800R12KS4-4G	FF200R12KS4	C4 air cooling	PS_C4G/87
	2PS1200R12KS4-4G	FF300R12KS4	C4 air cooling	PS_C4G/87
	6PS0100R12KS4-3G	FF100R12KS4	C3 air cooling	PS_C3G/85
	6PS0150R12KS4-3G	FF150R12KS4	C3 air cooling	PS_C3G/85
	6PS0200R12KS4-3G	FF200R12KS4	C3 air cooling	PS_C3G/85
	6PS0300R12KS4-3G	FF300R12KS4	C3 air cooling	PS_C3G/85
	4PS0100R12KS4-3G	FF100R12KS4	C3 air cooling	PS_C3G/85
	2PS0900R12KS4-3W	FF300R12KS4	C3 water cooling	PS_C3W/86
	6PS0300R12KS4-3W	FF300R12KS4	C3 water cooling	PS_C3W/86
IGBT <sup>3</sup>	2PS0400R12KE3-2G	FF200R12KE3	C2 air cooling	PS_C2G/83
	2PS0600R12KE3-2G	FF300R12KE3	C2 air cooling	PS_C2G/83
	2PS0800R12KE3-2G	FF400R12KE3	C2 air cooling	PS_C2G/83
	2PS0600R12KE3-3G	FF200R12KE3	C3 air cooling	PS_C3G/85
	2PS0900R12KE3-3G	FF300R12KE3	C3 air cooling	PS_C3G/85
	2PS1200R12KE3-3G	FF400R12KE3	C3 air cooling	PS_C3G/85
	2PS0800R12KE3-4G	FF200R12KE3	C4 air cooling	PS_C4G/87
	2PS1200R12KE3-4G	FF300R12KE3	C4 air cooling	PS_C4G/87
	2PS1600R12KE3-4G	FF400R12KE3	C4 air cooling	PS_C4G/87
	6PS0200R12KE3-3G	FF200R12KE3	C3 air cooling	PS_C3G/85
	6PS0300R12KE3-3G	FF300R12KE3	C3 air cooling	PS_C3G/85
	6PS0400R12KE3-3G	FF400R12KE3	C3 air cooling	PS_C3G/85
Fast IGBT <sup>3</sup>	2PS0300R12KT3-2G	FF150R12KT3G	C2 air cooling	PS_C2G/83
	2PS0400R12KT3-2G	FF200R12KT3	C2 air cooling	PS_C2G/83
	2PS0600R12KT3-2G	FF300R12KT3	C2 air cooling	PS_C2G/83
	2PS0800R12KT3-2G	FF400R12KT3	C2 air cooling	PS_C2G/83
	2PS0450R12KT3-3G	FF150R12KT3G	C3 air cooling	PS_C3G/85
	2PS0600R12KT3-3G	FF200R12KT3	C3 air cooling	PS_C3G/85
	2PS0900R12KT3-3G	FF300R12KT3	C3 air cooling	PS_C3G/85
	2PS1200R12KT3-3G	FF400R12KT3	C3 air cooling	PS_C3G/85
	2PS0600R12KT3-4G	FF150R12KT3G	C4 air cooling	PS_C4G/87
	2PS0900R12KT3-4G	FF200R12KT3	C4 air cooling	PS_C4G/87

Other PrimeStacks on request

# PrimeSTACK

	Type	Implemented IGBT Module	Outline	Outline / page
Fast IGBT <sup>3</sup>	2PS1200R12KT3-4G	FF300R12KT3	C4 air cooling	PS_C4G/87
	2PS1600R12KT3-4G	FF400R12KT3	C4 air cooling	PS_C4G/87
	6PS0150R12KT3-3G	FF150R12KT3G	C3 air cooling	PS_C3G/85
	6PS0200R12KT3-3G	FF200R12KT3	C3 air cooling	PS_C3G/85
	6PS0300R12KT3-3G	FF300R12KT3	C3 air cooling	PS_C3G/85
	6PS0400R12KT3-3G	FF400R12KT3	C3 air cooling	PS_C3G/85
<b>With 1700V IGBT Modules</b>				
IGBT <sup>2</sup> Low Loss	2PS0200R17DLC-2G	BSM100GB170DLC	C2 air cooling	PS_C2G/83
	2PS0300R17DLC-2G	BSM150GB170DLC	C2 air cooling	PS_C2G/83
	2PS0400R17DLC-2G	BSM200GB170DLC	C2 air cooling	PS_C2G/83
	2PS0300R17DLC-3G	BSM100GB170DLC	C3 air cooling	PS_C3G/85
	2PS0450R17DLC-3G	BSM150GB120DLC	C3 air cooling	PS_C3G/85
	2PS0600R17DLC-3G	BSM200GB170DLC	C3 air cooling	PS_C3G/85
	2PS0400R17DLC-4G	BSM100GB170DLC	C4 air cooling	PS_C4G/87
	2PS0600R17DLC-4G	BSM150GB170DLC	C4 air cooling	PS_C4G/87
	2PS0800R17DLC-4G	BSM200GB170DLC	C4 air cooling	PS_C4G/87
	6PS0100R17DLC-3G	BSM100GB170DLC	C3 air cooling	PS_C3G/85
	6PS0150R17DLC-3G	BSM150GB170DLC	C3 air cooling	PS_C3G/85
	6PS0200R17DLC-3G	BSM200GB170DLC	C3 air cooling	PS_C3G/85
IGBT <sup>3</sup>	2PS0400R17KE3-2G	FF200R17KE3	C2 air cooling	PS_C2G/83
	2PS0600R17KE3-2G	FF300R17KE3	C2 air cooling	PS_C2G/83
	2PS0600R17KE3-3G	FF200R17KE3	C3 air cooling	PS_C3G/85
	2PS0900R17KE3-3G	FF300R17KE3	C3 air cooling	PS_C3G/85
	2PS0800R17KE3-4G	FF200R17KE3	C4 air cooling	PS_C4G/87
	2PS1200R17KE3-4G	FF300R17KE3	C4 air cooling	PS_C4G/87
	6PS0200R17KE3-3G	FF200R17KE3	C3 air cooling	PS_C3G/85
	6PS0300R17KE3-3G	FF300R17KE3	C3 air cooling	PS_C3G/85

IGBT PrimeSTACK Topology	Acronym
	half bridge, 2pack
	H - bridge, 4pack
	3 phase bridge, 6pack
	3 phase bridge + brake, 6pack + chopper

Other PrimeStacks on request

## PrimeSTACK Type Designation System:

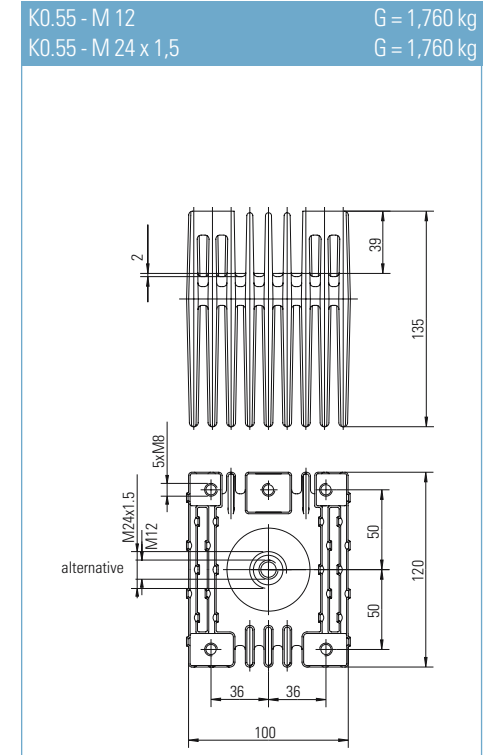
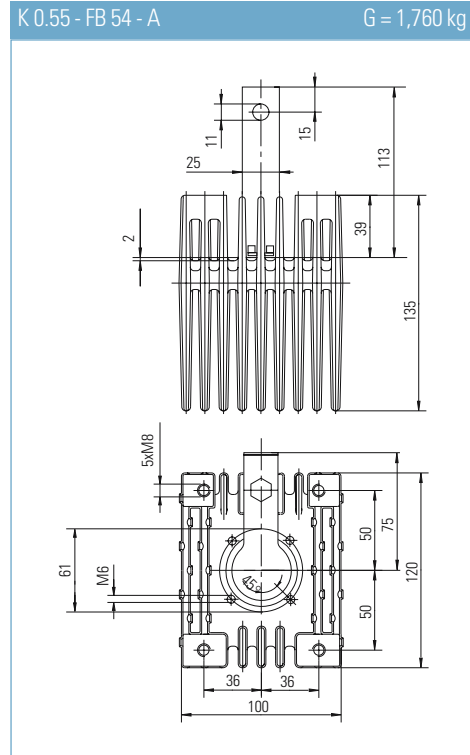
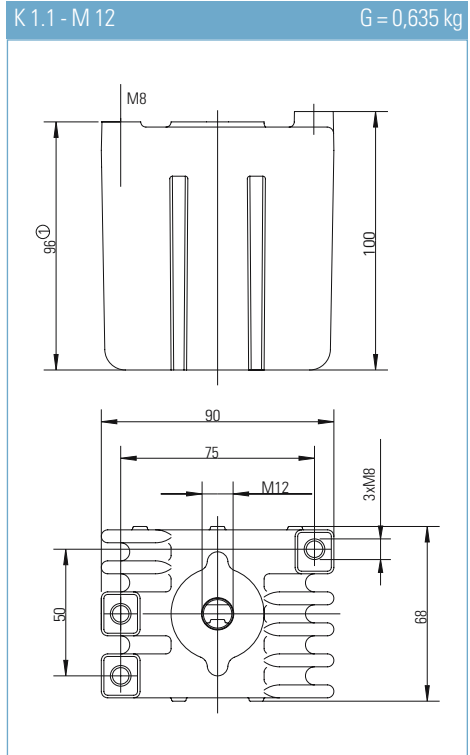
### Descriptors

G = forced air cooling  
W = water cooling  
F = fan included

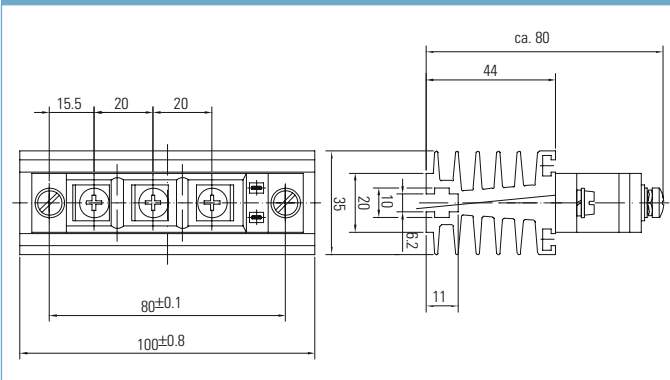
### Options

M = Master  
S = slave, single use  
O = fiber optic interface  
X = voltage signal interface

Topology (see below) ——— 2PS0600R12DLC-3X  
PrimeSTACK ———  
Rated Current at  $T_{c,max} = 80^{\circ}C$  ———  
Rated Voltage of Used IGBT ———  
Chip Type According to eupec Designation System ———  
Size ———  
Options (chopper, cooling etc.) ———

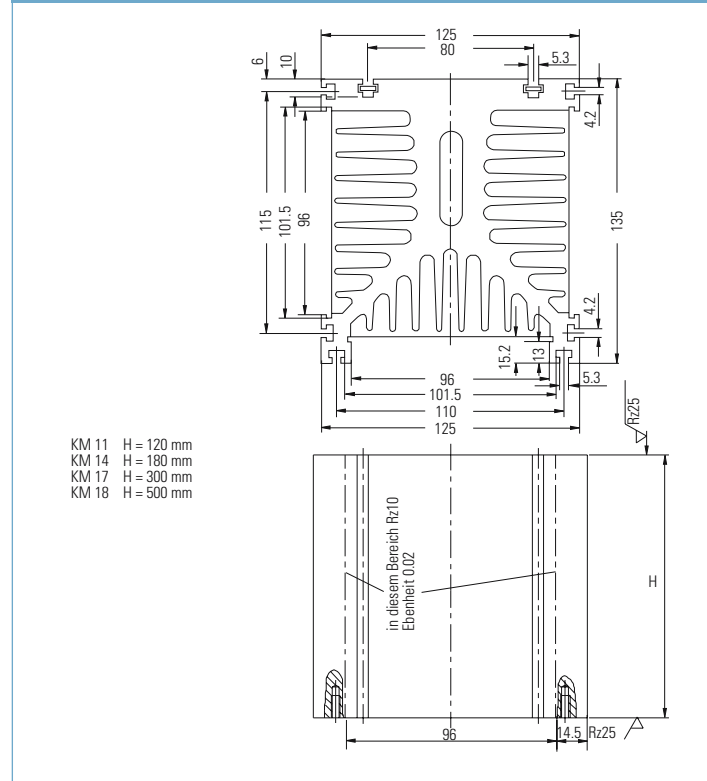


KM 10

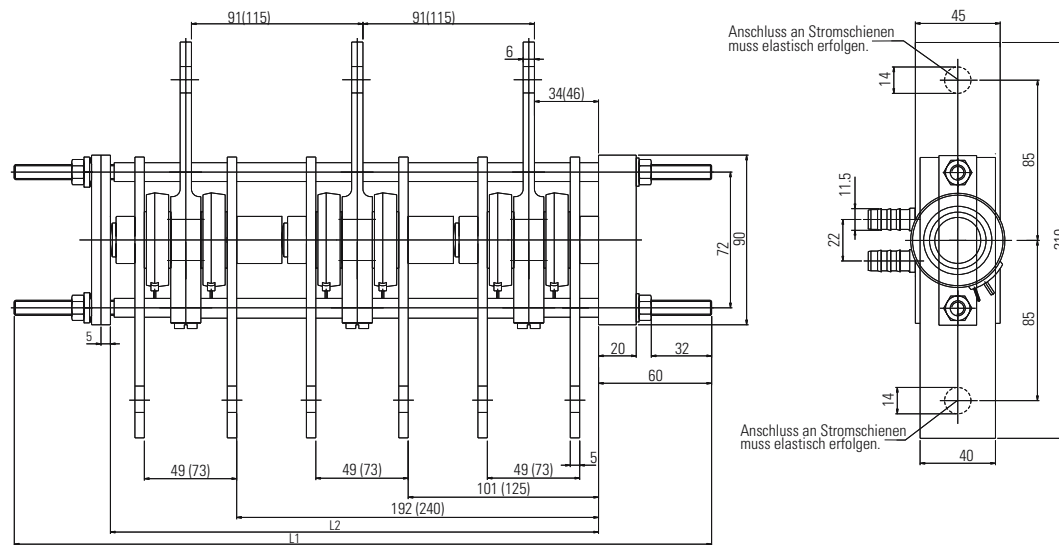


KM 11  
KM 14  
KM 17  
KM 18

G = 2,1 kg  
G = 3,1 kg  
G = 5,3 kg  
G = 8,8 kg



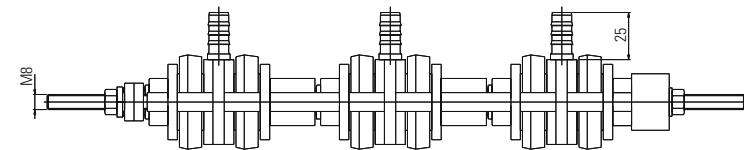
## KA 20.X-V



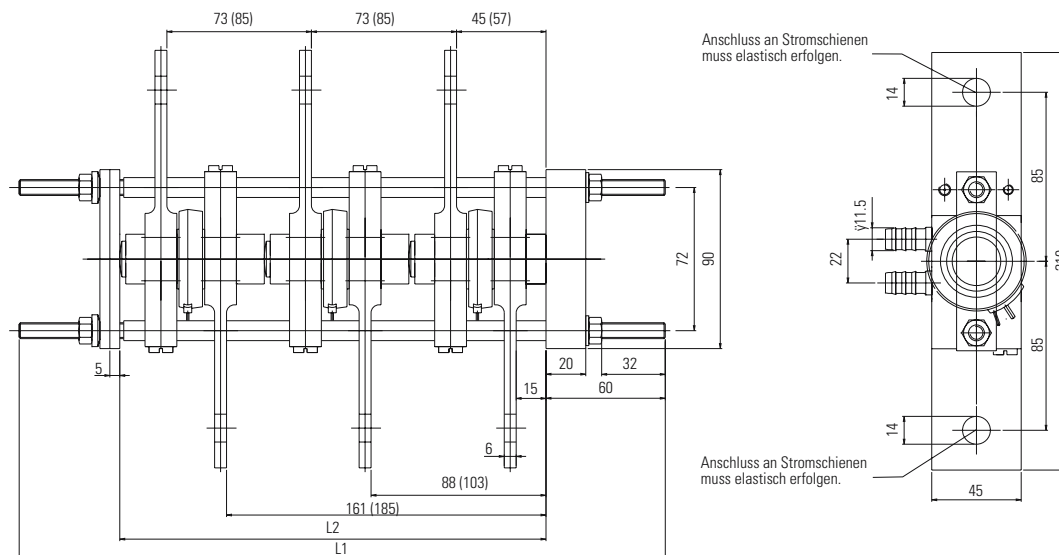
for discs Ø 41, 50, 57, 60 mm  
 maximum clamping force 10kN  
 supply voltage 500Veff

(...) für Bauelemente s=26

Anzahl d. Thy./Di.	Typ	L1	L2
6 (s=14mm)	-KA20.6-..	370	259
4 (s=14mm)	-KA20.4-..	280	168
2 (s=14mm)	-KA20.2-..	190	77
6 (s=26mm)	-KA20.62-..	445	331
4 (s=26mm)	-KA20.42-..	325	216
2 (s=26mm)	-KA20.22-..	210	101



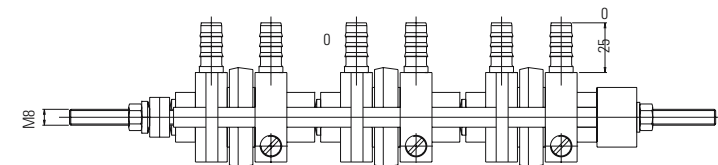
## KC 20-XE



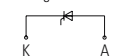
for discs Ø 41, 50, 57, 60 mm  
 maximum clamping force 10kN  
 supply voltage 500Veff

(...) für Bauelemente s=26

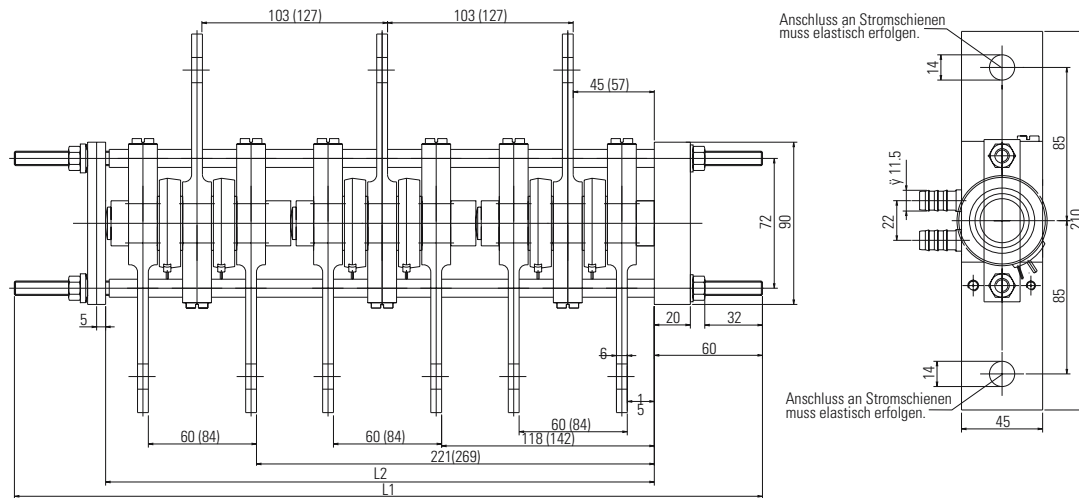
Anzahl d. Thy./Di.	Typ	L1	L2
3 (s=14mm)	-KC20-3E	325	215
2 (s=14mm)	-KC20-2E	250	142
1 (s=14mm)	-KC20-1E	175	69
3 (s=26mm)	-KC20-3E	360	251
2 (s=26mm)	-KC20-2E	275	166
1 (s=26mm)	-KC20-1E	190	81



Zellenlage bei KC20.\*-E



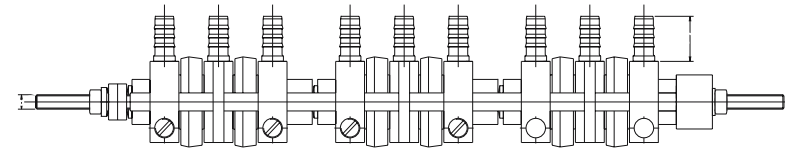




(...) für Bauelemente s=26

Anzahl d. Thy./Di.	Typ	L1	L2
6 (s=14mm)	-KD20.6..	415	305
4 (s=14mm)	-KD20.4..	310	202
2 (s=14mm)	-KD20.2..	205	99
6 (s=26mm)	-KD20.62..	490	377
4 (s=26mm)	-KD20.42..	360	250
2 (s=26mm)	-KD20.22..	230	123

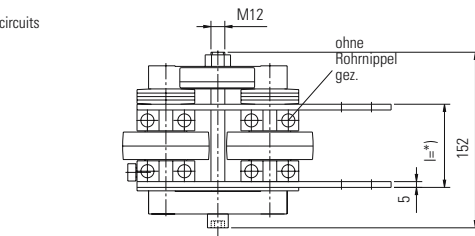
for discs Ø 41, 50, 57, 60 mm  
maximum clamping force 10kN  
supply voltage 500Veff



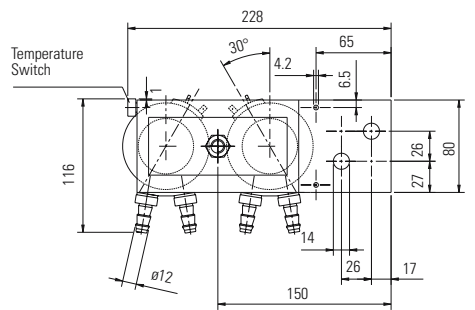
K 0.024 W

G = 3 kg

for W1C-circuits



for discs Ø 50, 57, 60, 75 mm

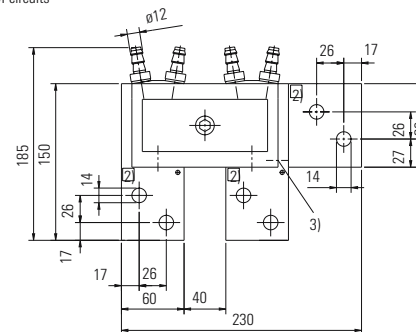


\*) Bauelementhöhe 14 mm: l=60mm  
Bauelementhöhe 26 mm: l=72mm

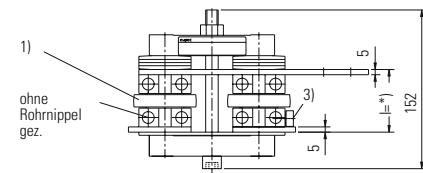
K 0.024 W

G = 3 kg

for B- and M-circuits



for discs Ø 50, 57, 60, 75 mm

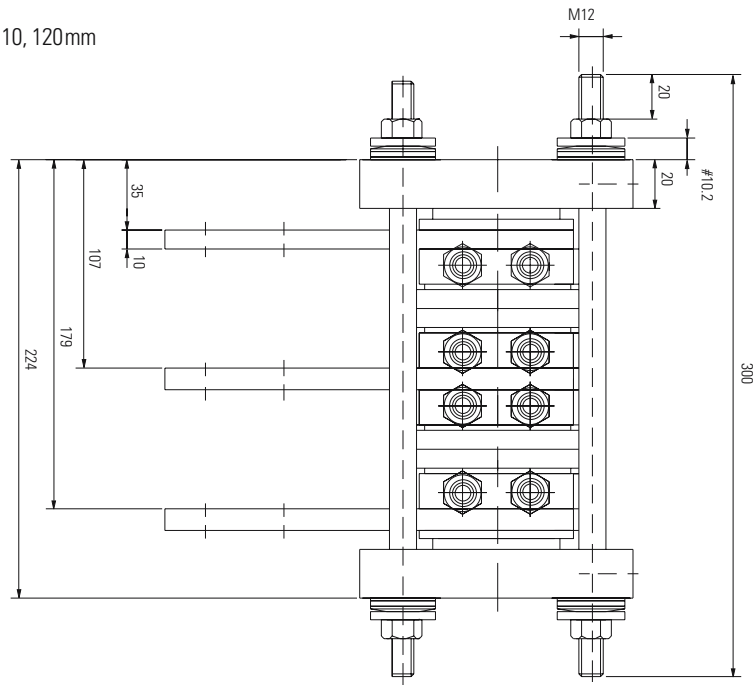


\*) Bauelementhöhe 14 mm: l=60mm  
Bauelementhöhe 26 mm: l=72mm

K 53 V

G = 17 kg

for discs Ø 110, 120mm

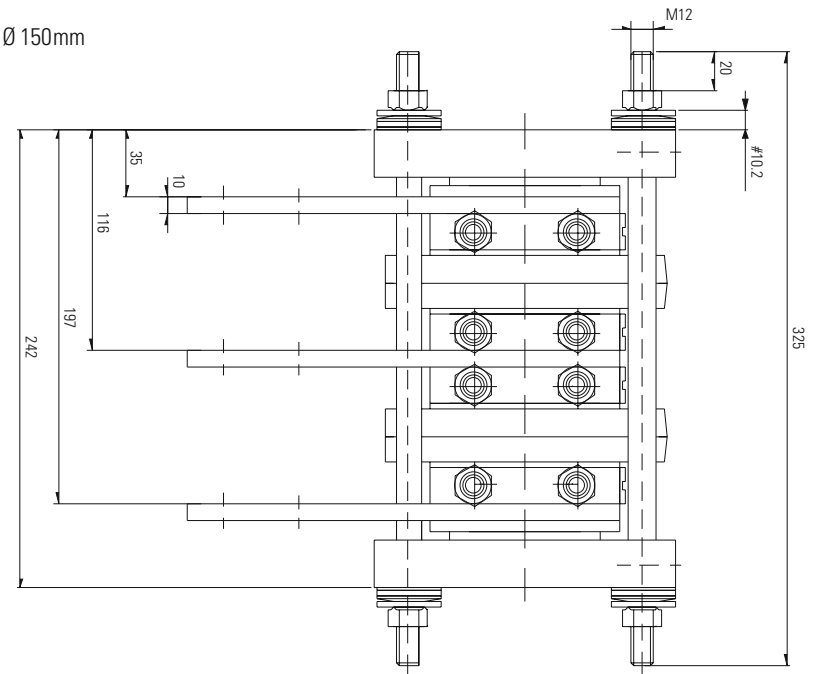


Example: Depending on applied components there may be different busbar dimensions.

K 63 V

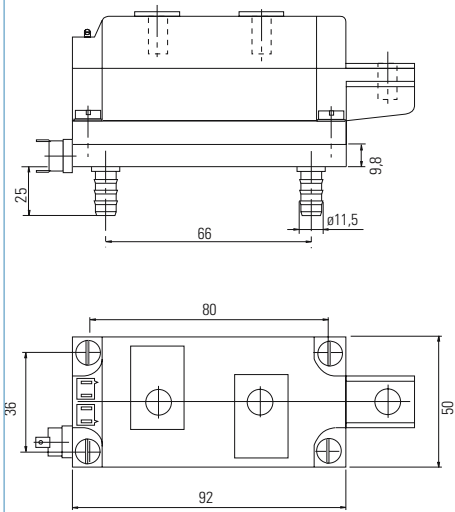
G = 30 kg

for discs Ø 150mm

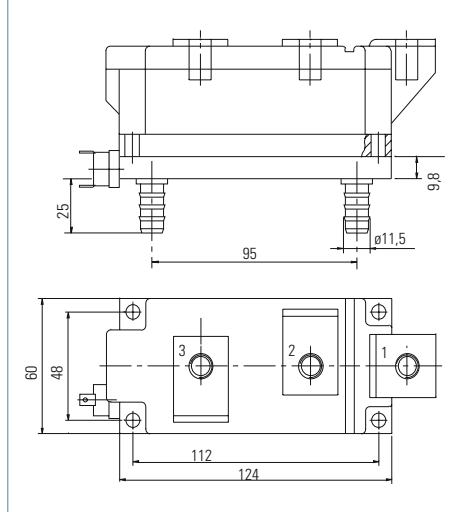


Example: Depending on applied components there may be different busbar dimensions.

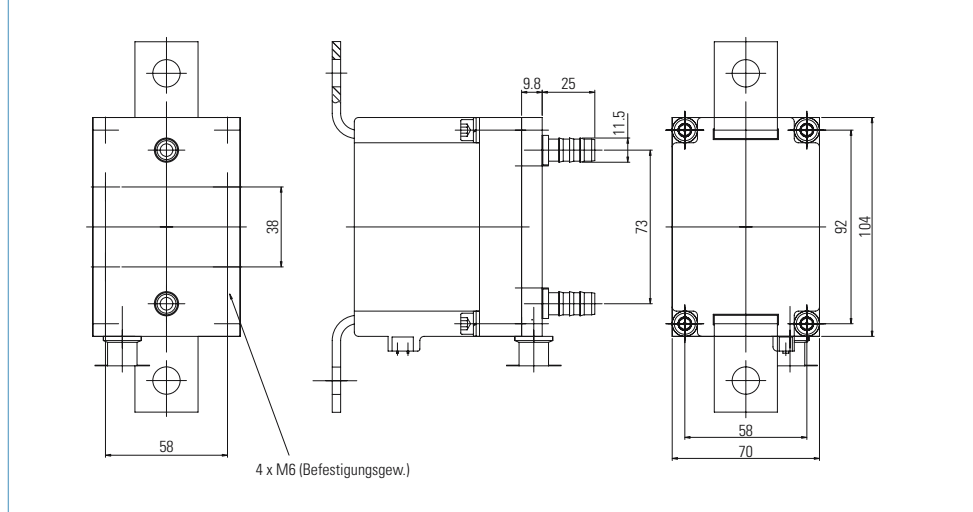
KW 50



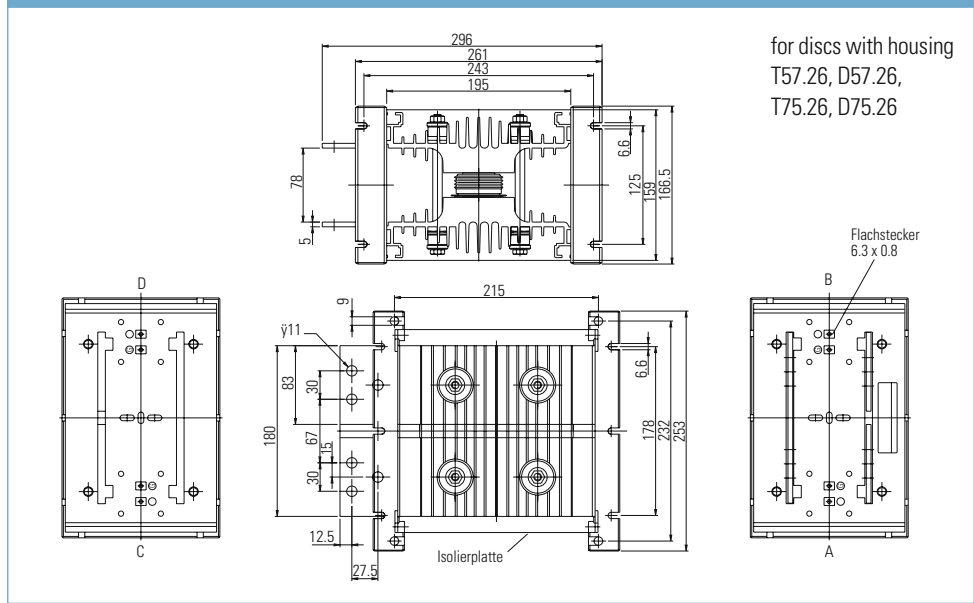
KW 60



KW 70-T



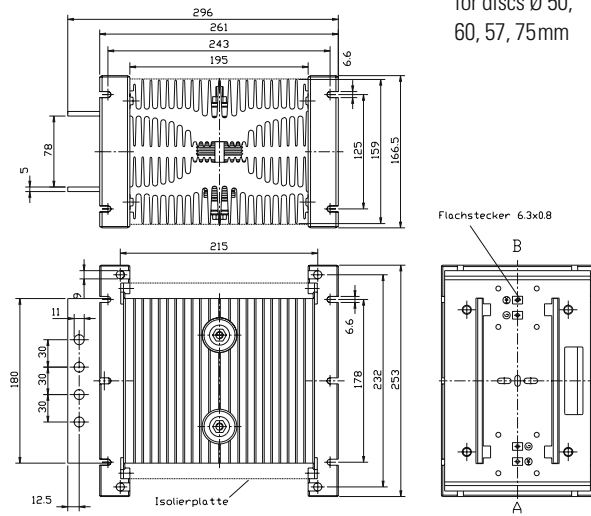
K 0.92S



for discs with housing  
T57.26, D57.26,  
T75.26, D75.26

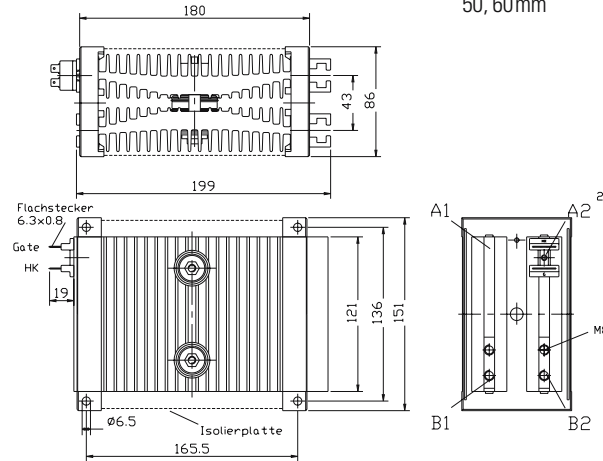
K0.05 F/K0.05.7 F

G = 9 kg

for discs Ø 50,  
60, 57, 75mm

K0.12 F

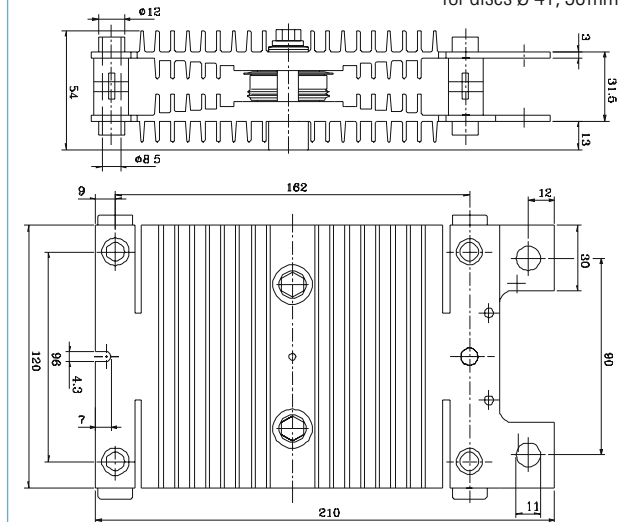
G = 2,5 kg

for discs Ø 41,  
50, 60mm

KK 32

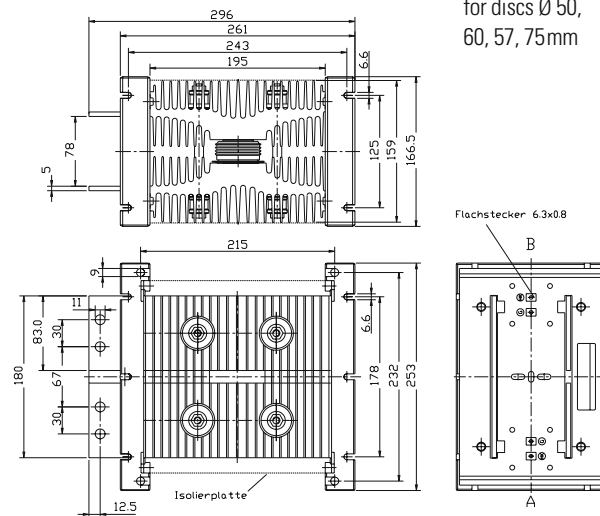
G = 1 kg

for discs Ø 41, 50mm



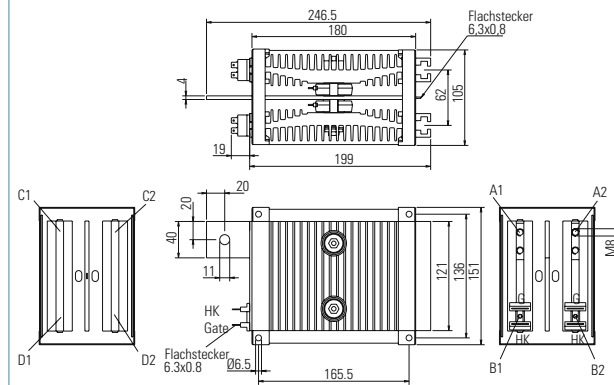
K 0.08 F/K 0.08.7 F/K 0.08.8 F

G = 9 kg

for discs Ø 50,  
60, 57, 75mm

K0.22 F

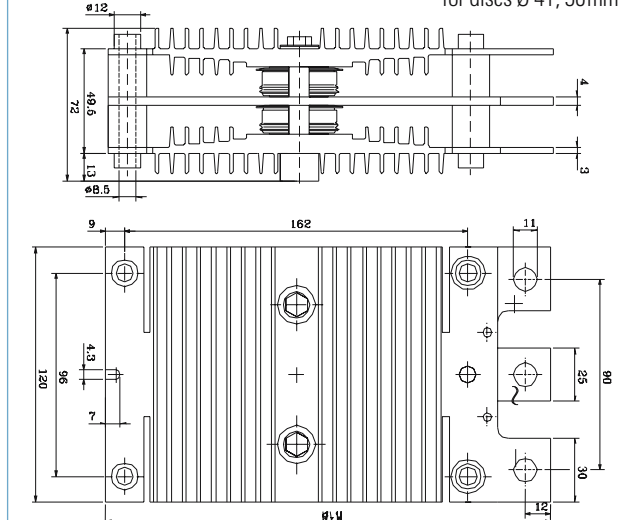
G = 3 kg

for discs Ø 41,  
50, 60mm

KK 34

G = 1,3 kg

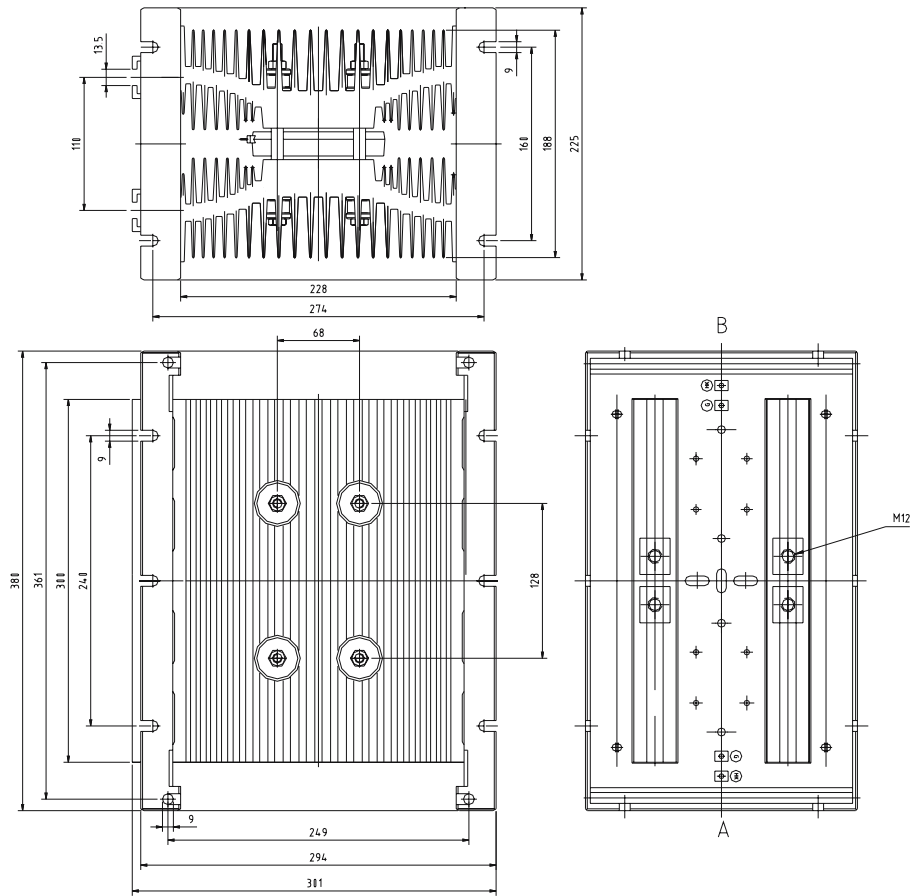
for discs Ø 41, 50mm





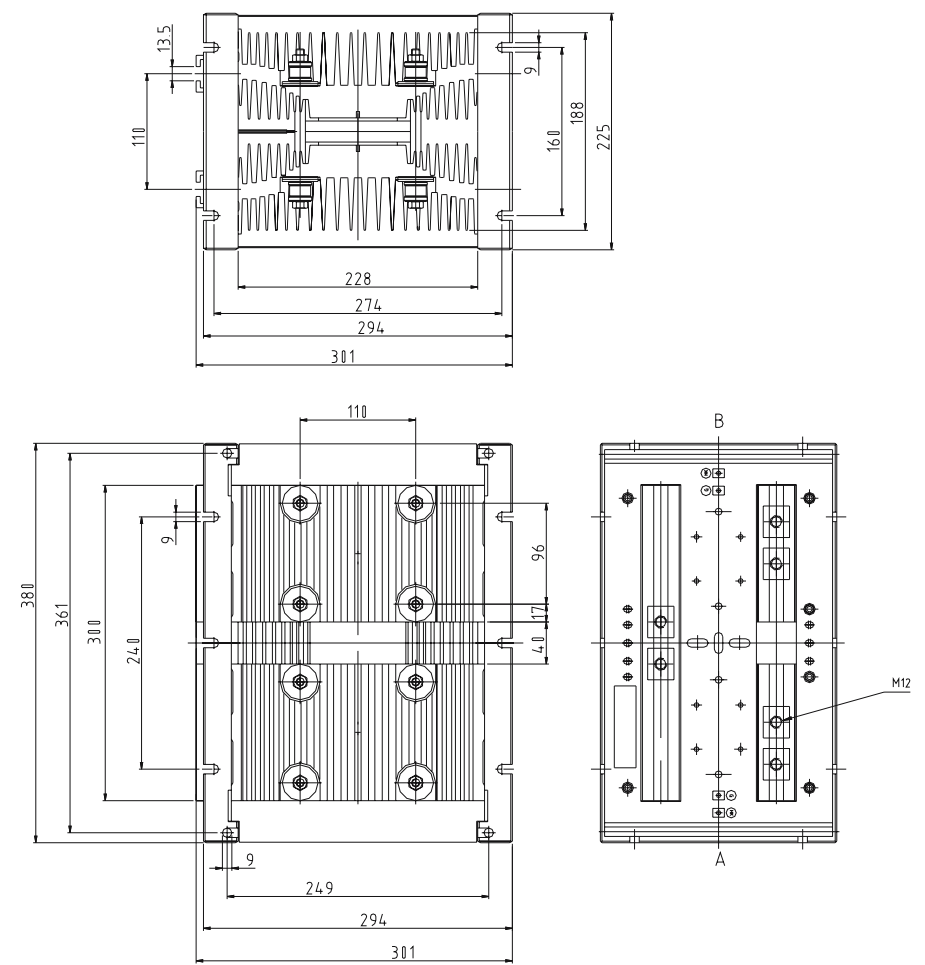
KE 01

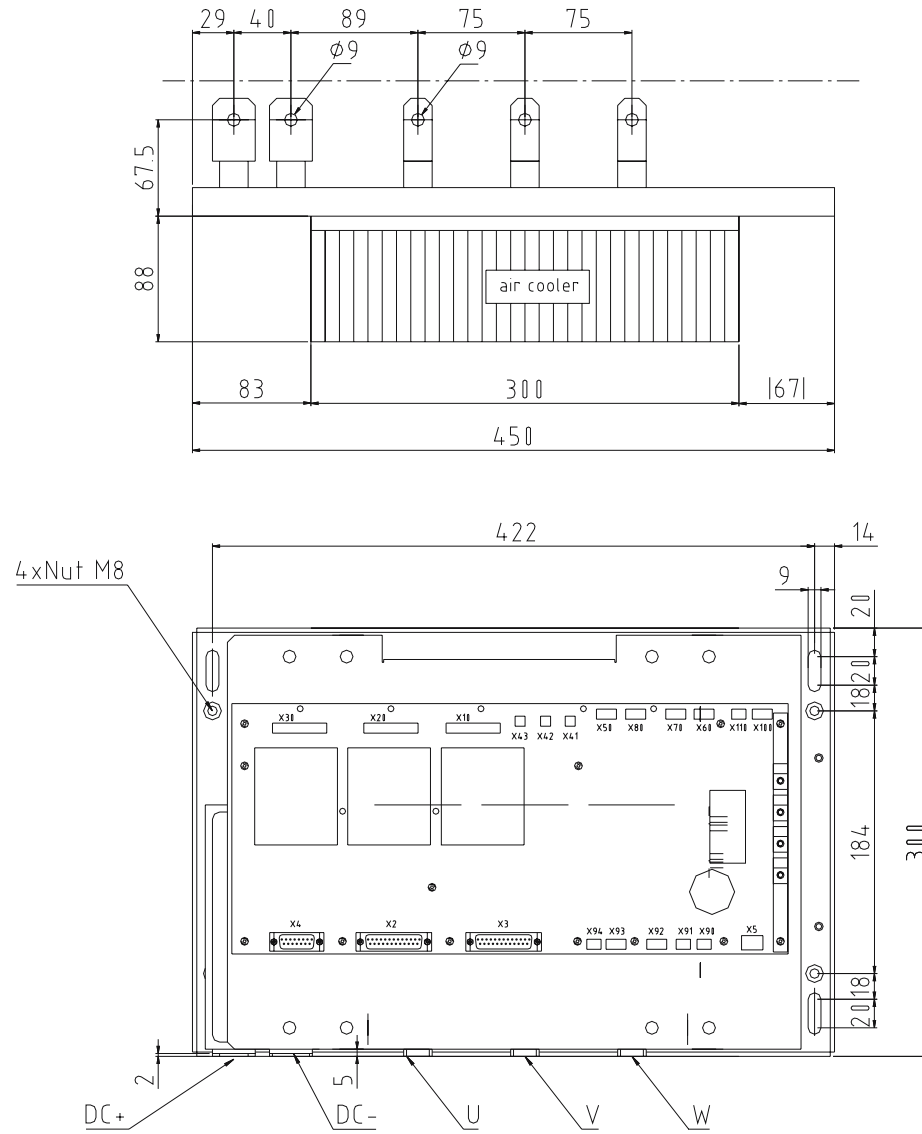
G = 18,8 kg

for discs with maximum  $\varnothing$  150 mm

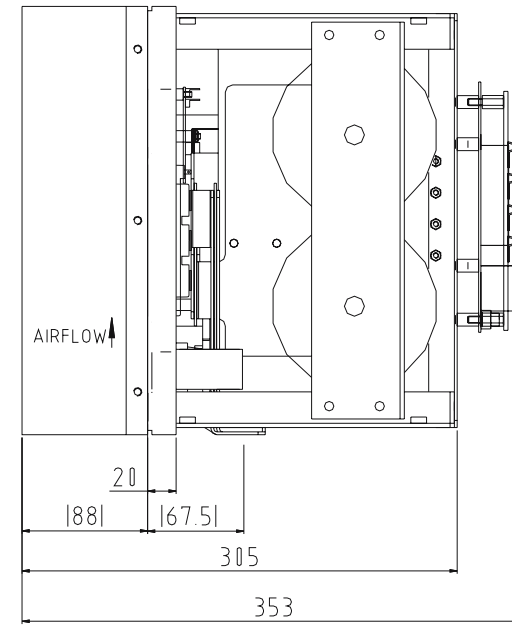
KE 02

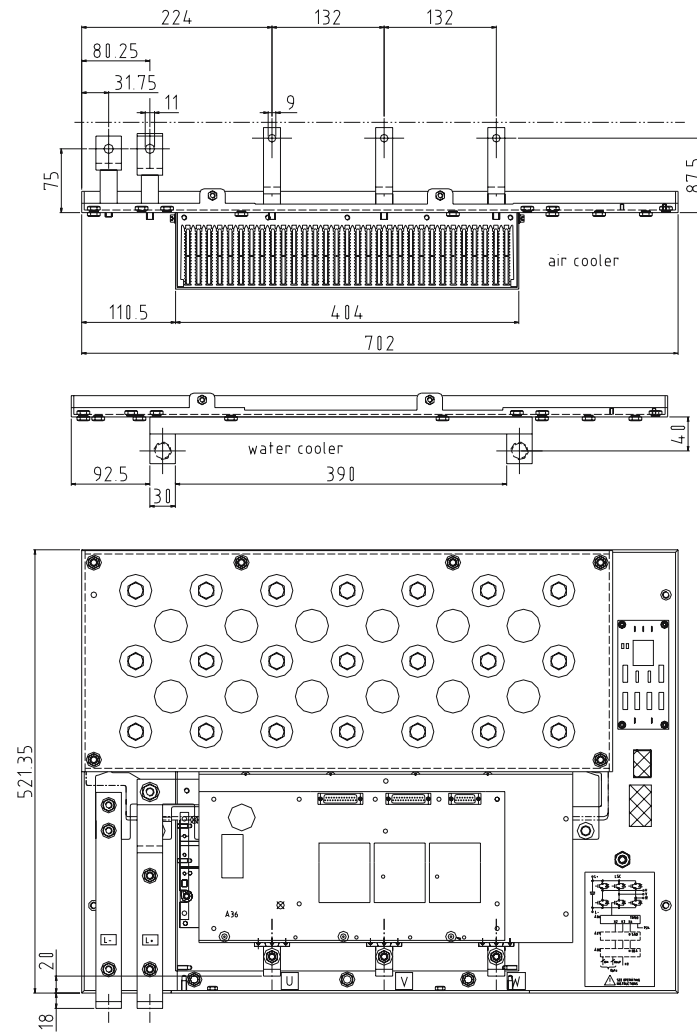
G = 18,5 kg

for discs with maximum  $\varnothing$  120 mm

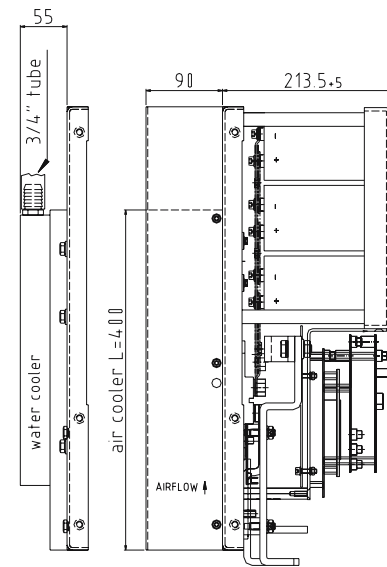


Size: 1

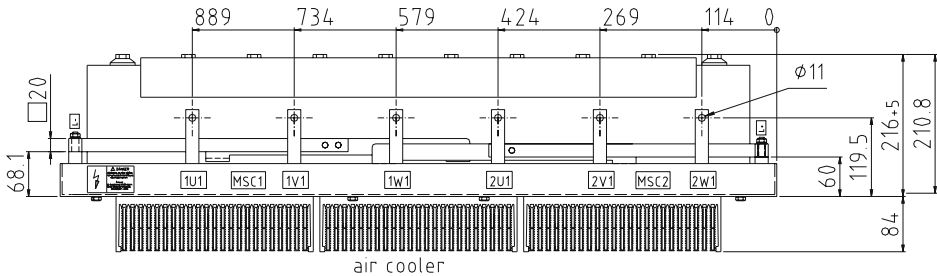




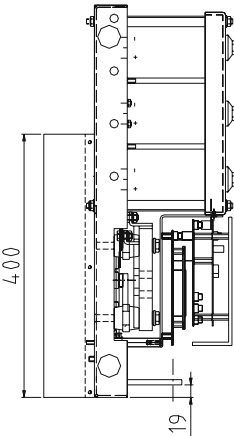
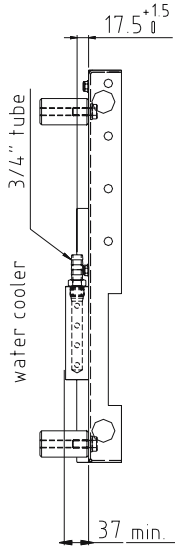
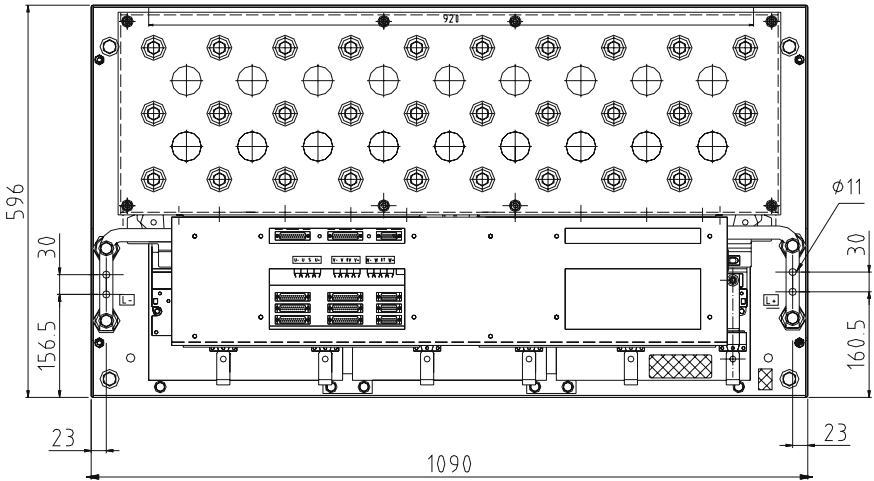
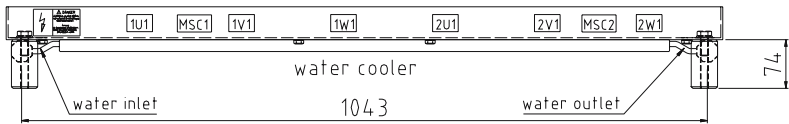
Size: 2

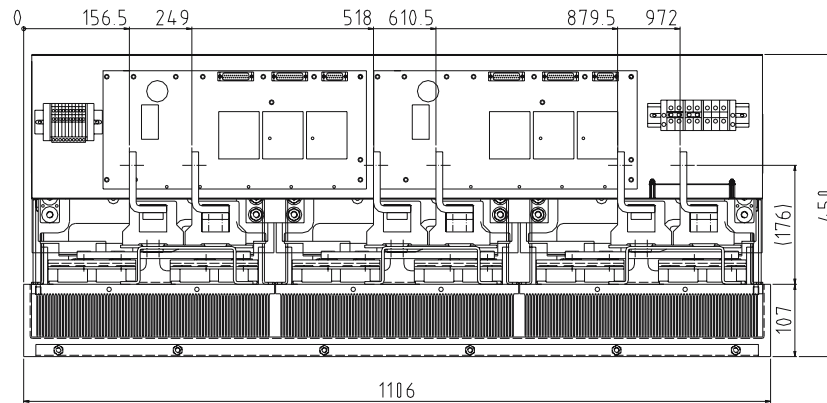




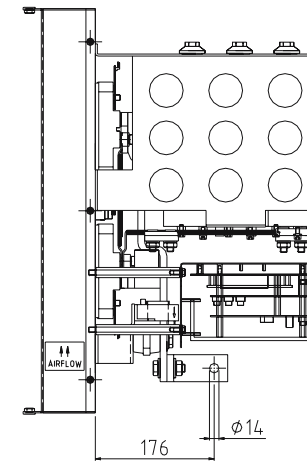
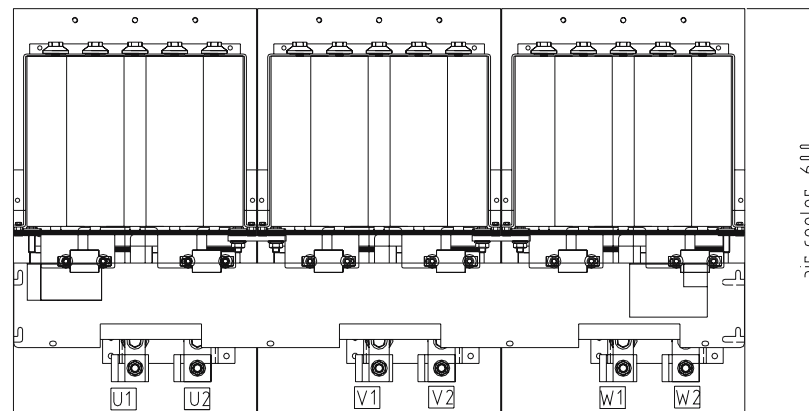


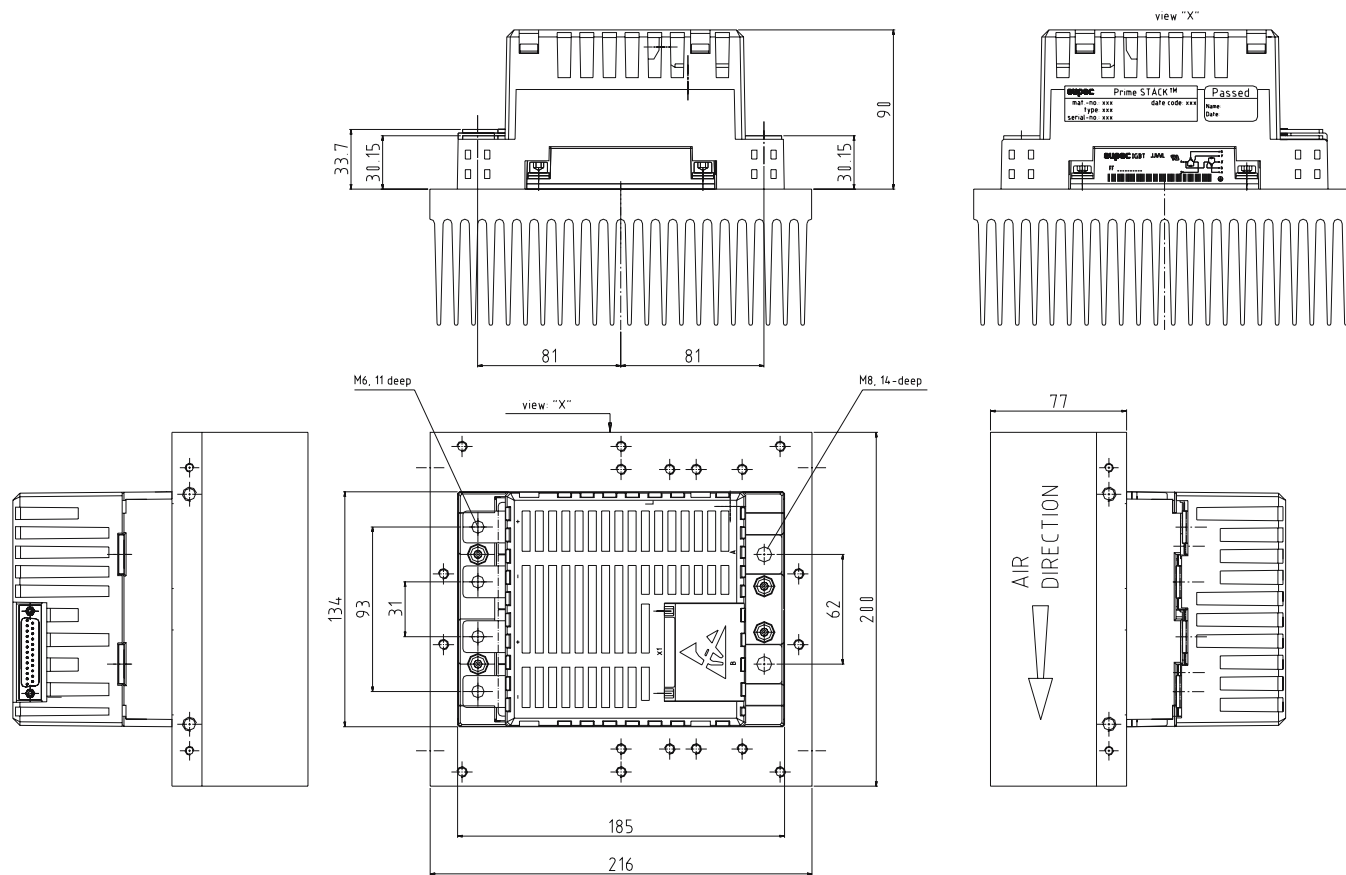
Size: 3

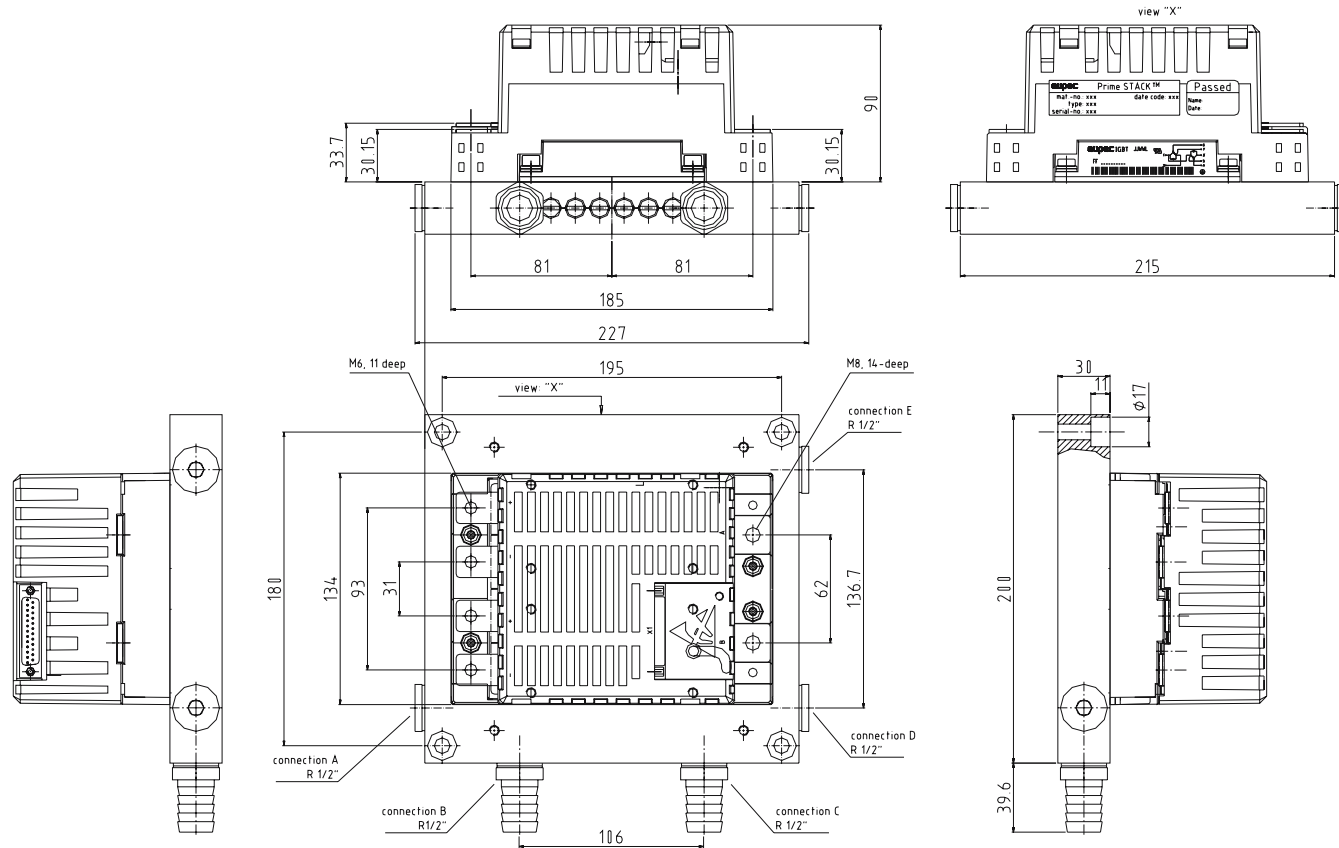




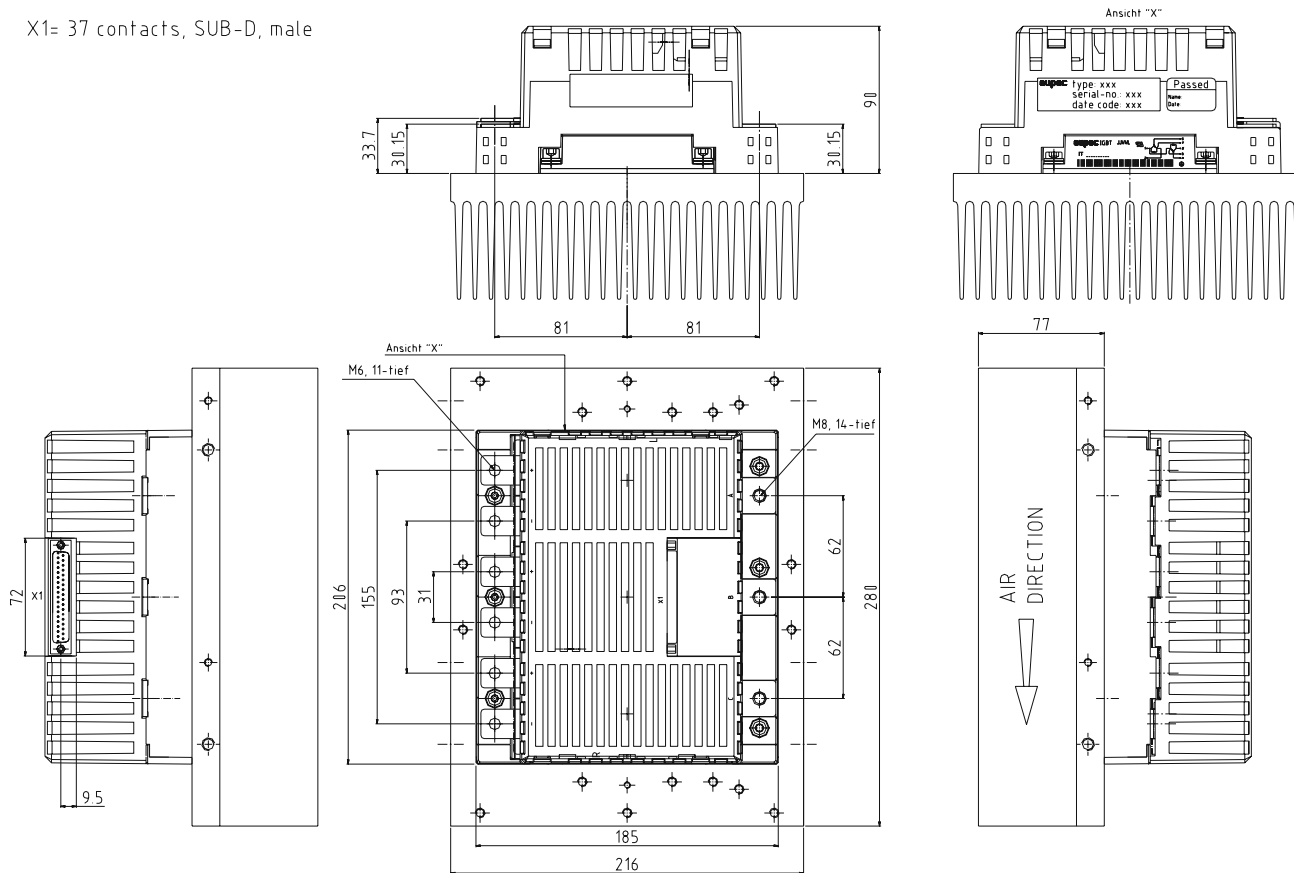
Size: 4

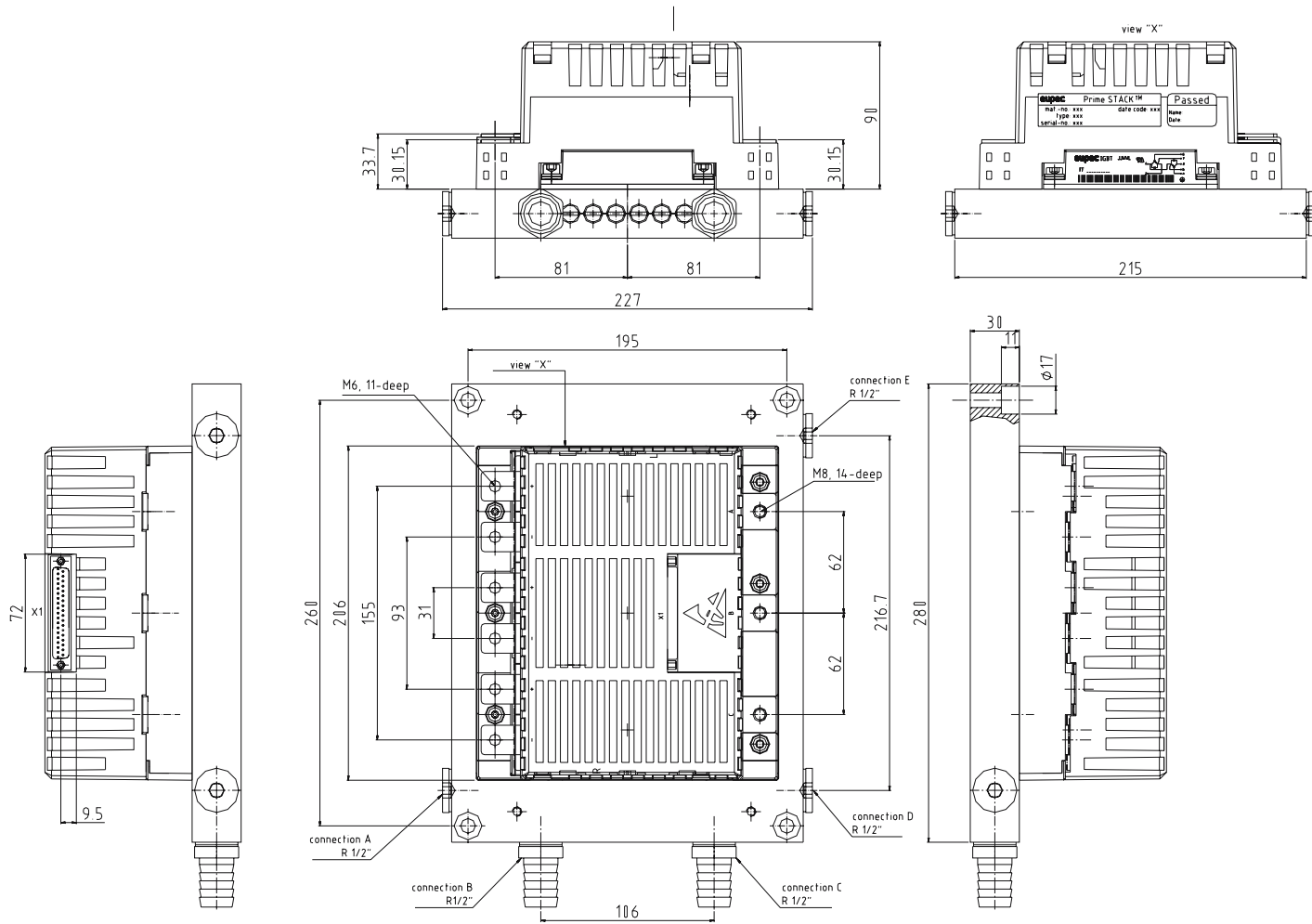




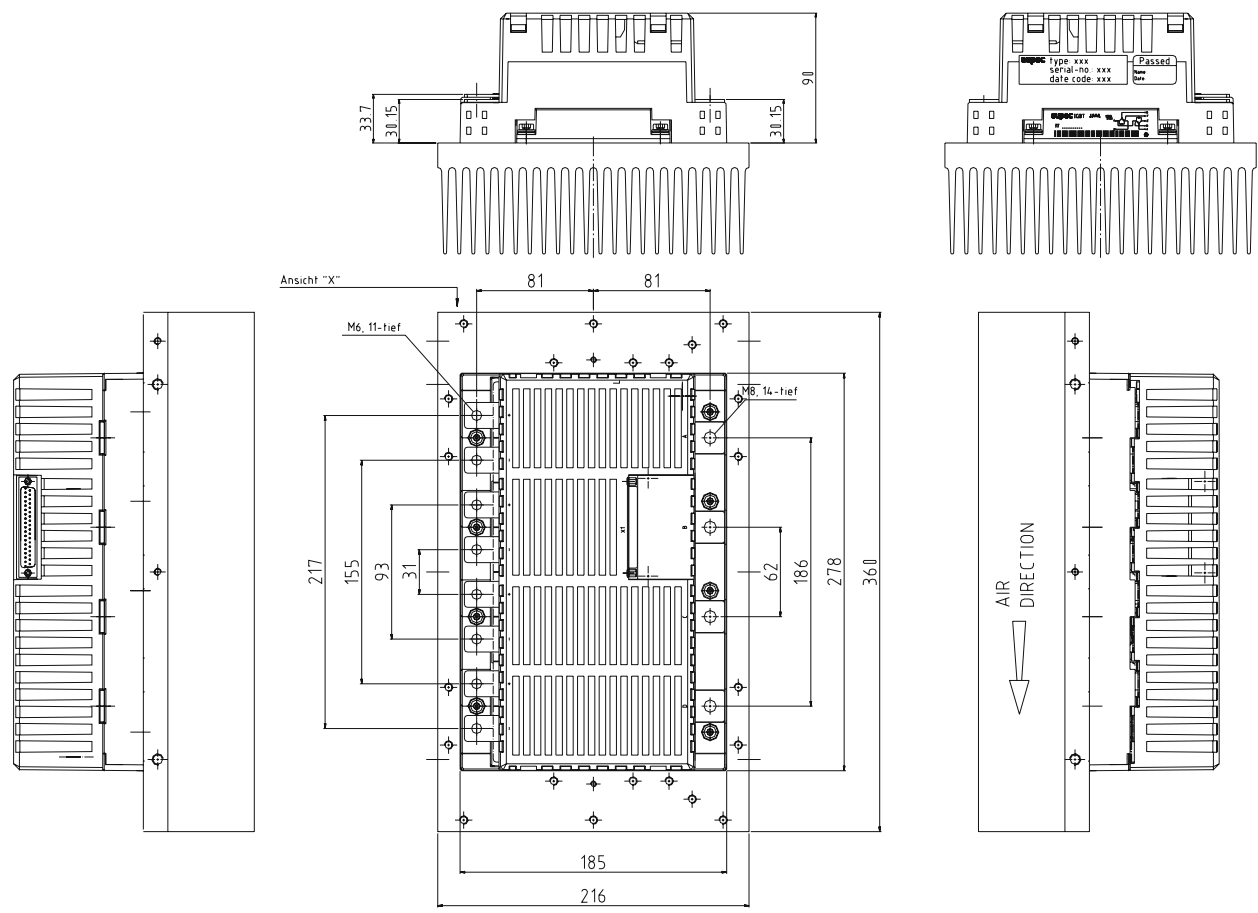


X1= 37 contacts, SUB-D, male

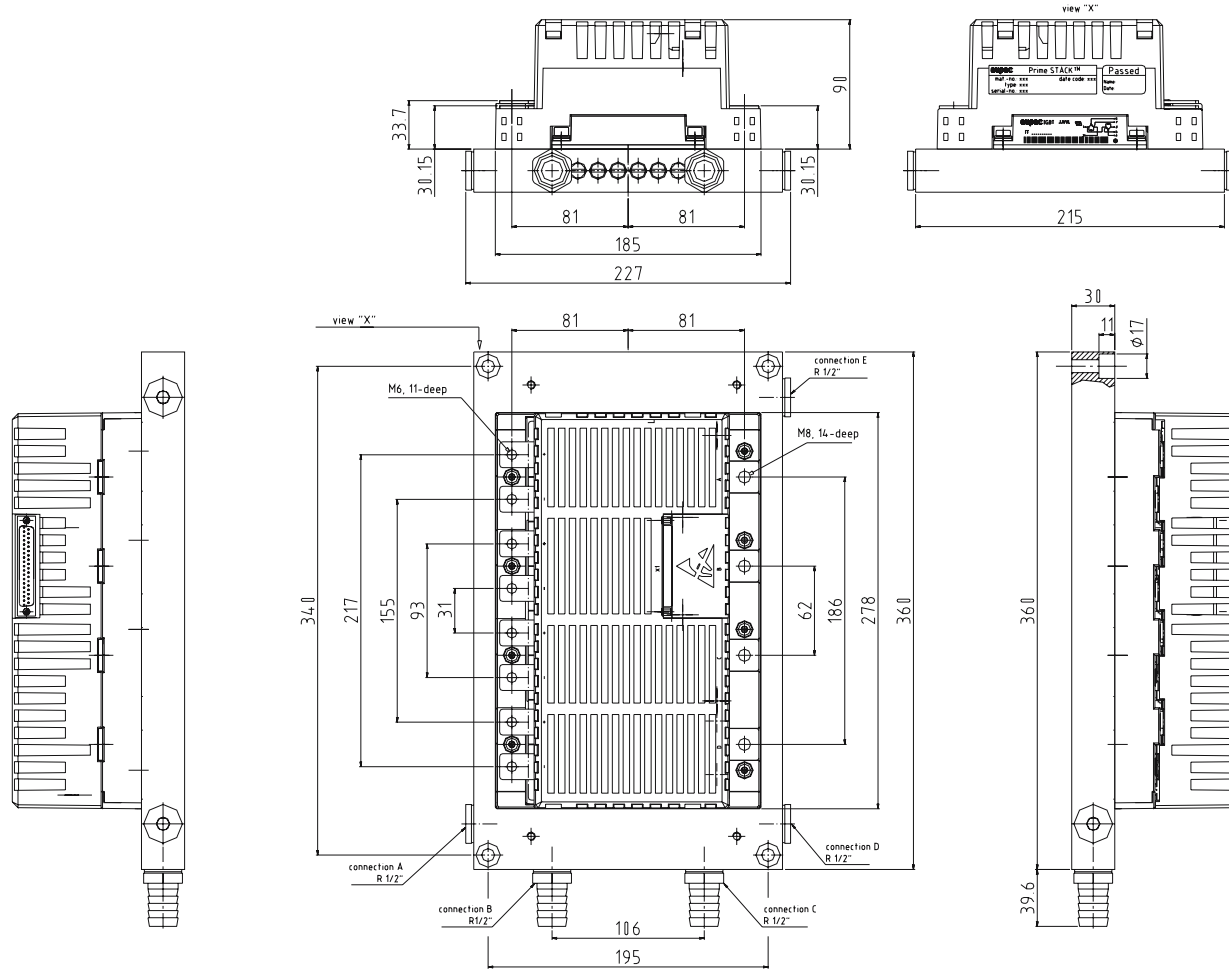




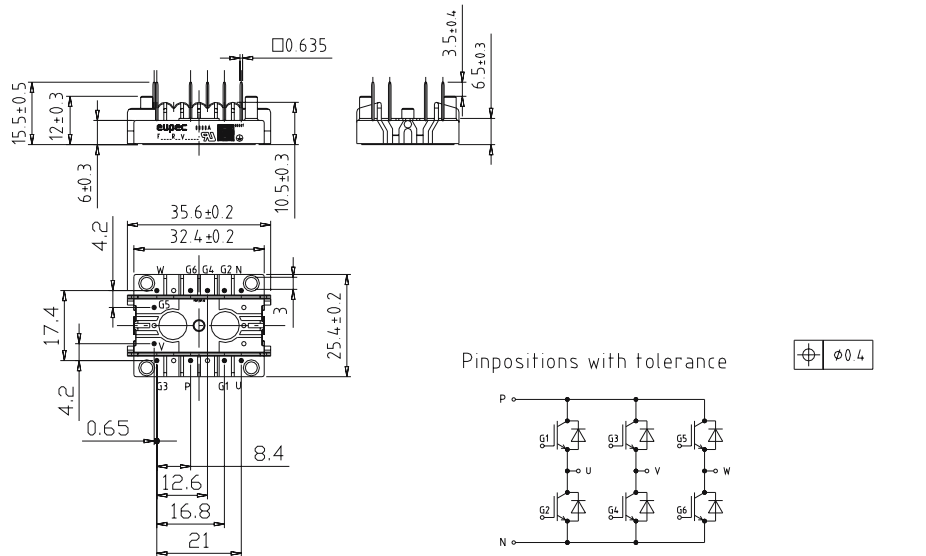
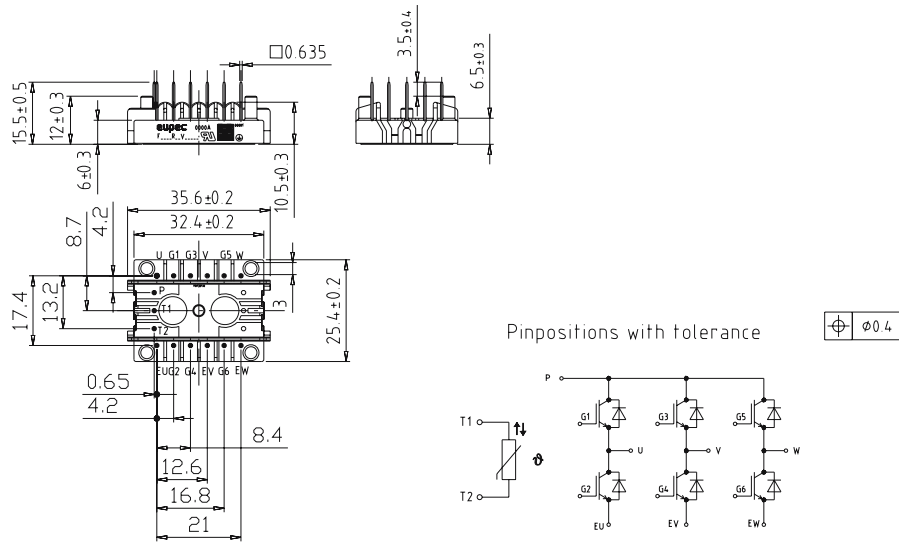
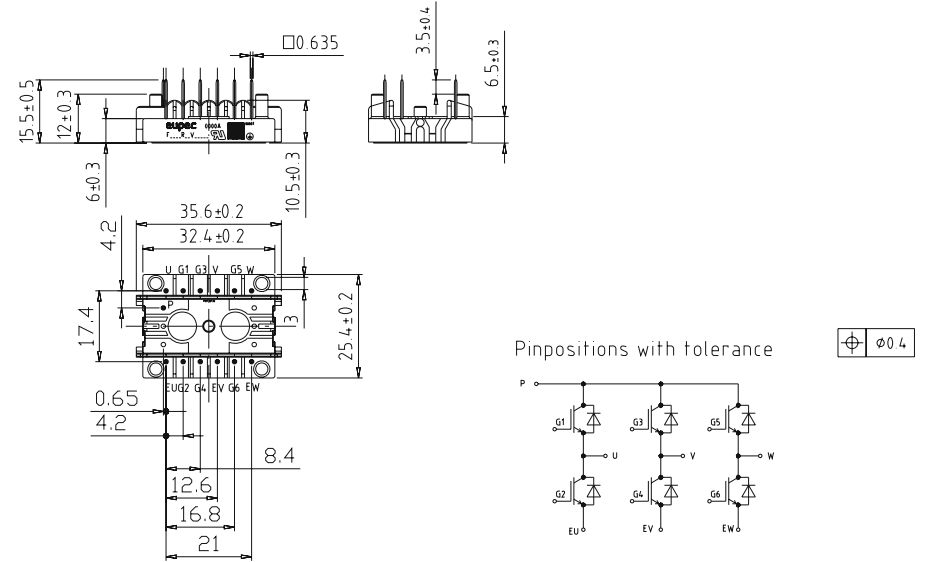
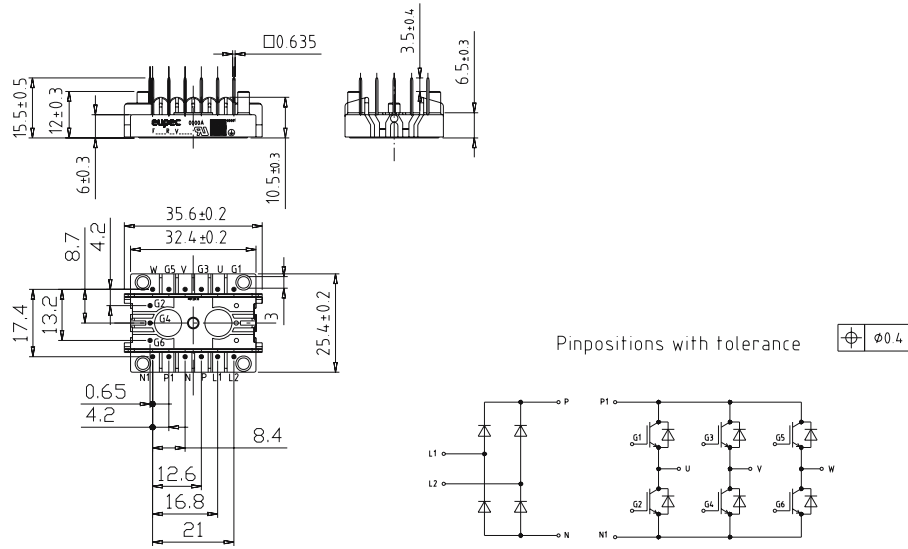
X1= 37/25 contacts, SUB-D, male



X1= 37/25 contacts, SUB-D, male

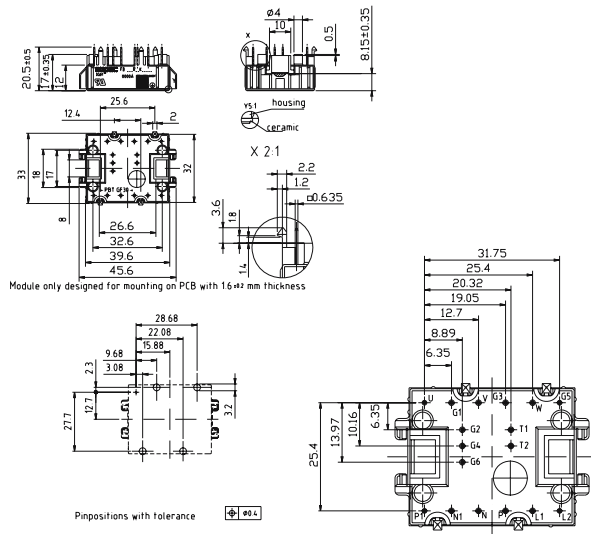






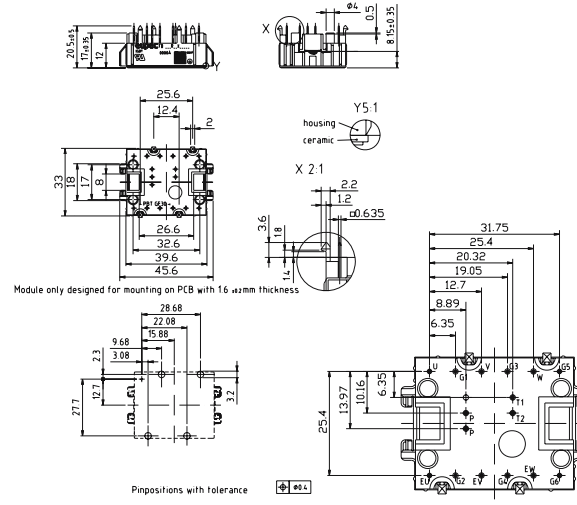
EasyPIM™1

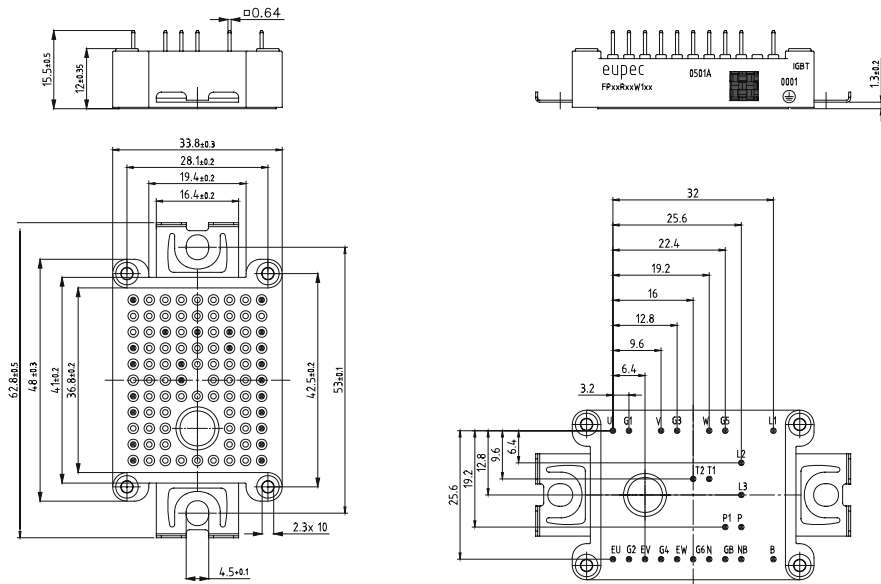
L\_1a



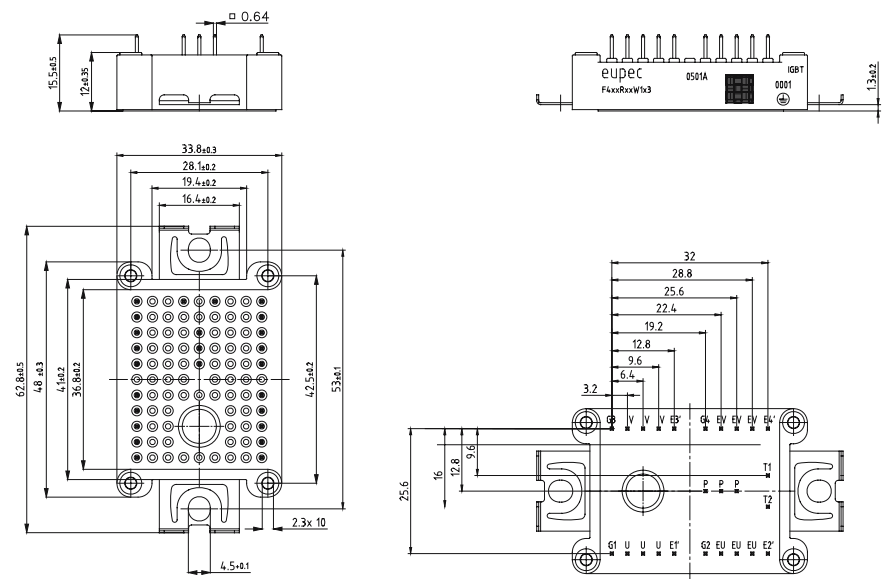
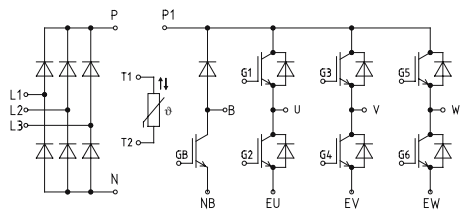
EasyPACK1

L\_1b

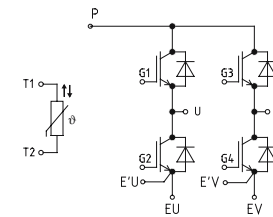




Pinpositions with tolerance  $\pm 0.4$



Pinpositions with tolerance  $\pm 0.4$







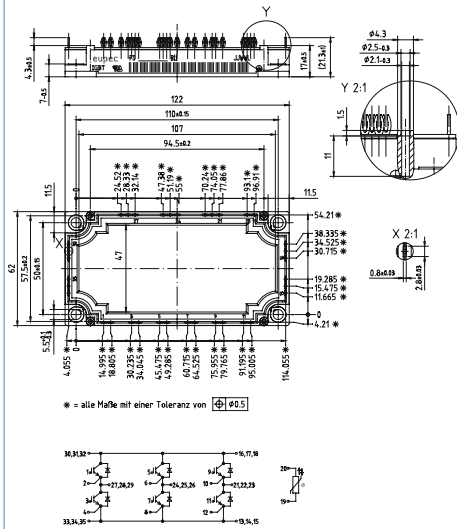




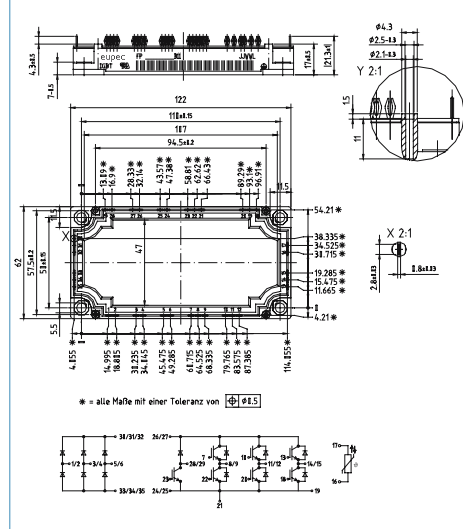




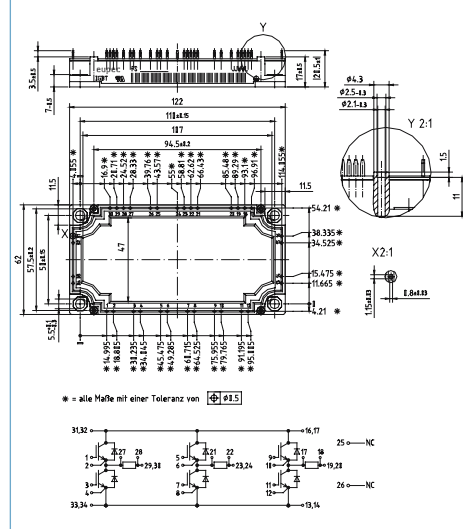
EconoPACK™ 3 B PressFIT M\_E3e



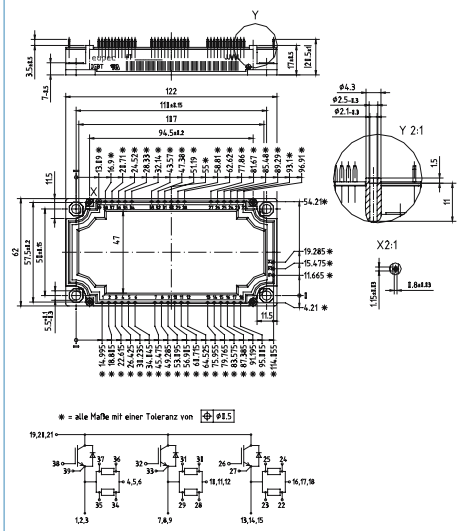
EconoPIM™ 3 B PressFIT M\_E3f



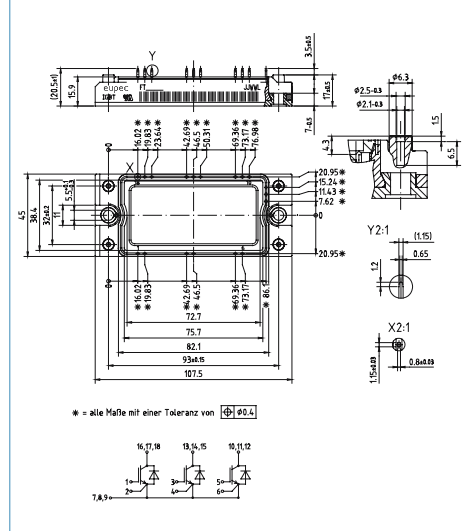
EconoPACK™ Shunt (Full Bridges) M\_E3g



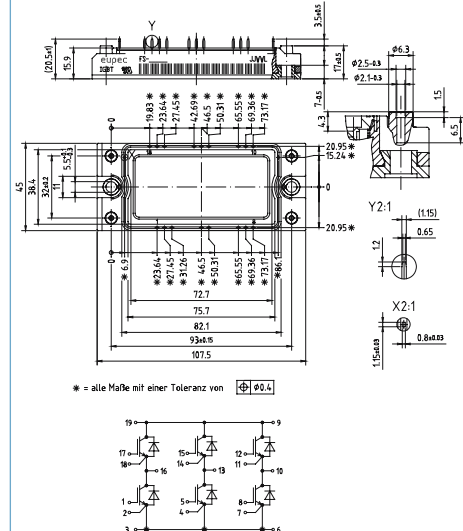
EconoPACK™ Shunt (TriPACK-High) M\_E3h



EconoPACK™ Shunt (TriPACK-Low) M\_E2f

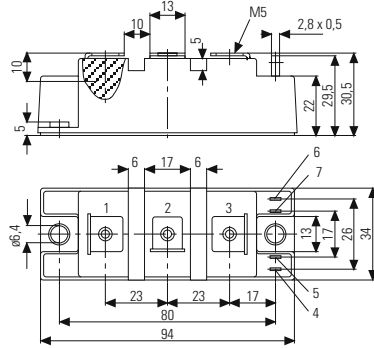


EconoPACK™ 2 B M\_E2g

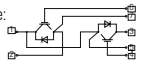
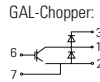
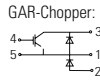


34 mm Module

M\_34a

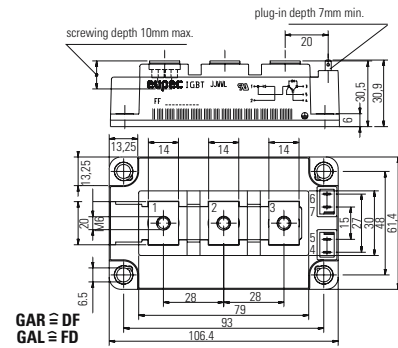
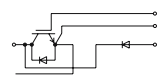


Half Bridge:

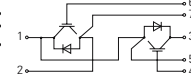
GAR ≙ DF  
GAL ≙ FD

62 mm Module

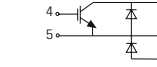
M\_62a

GAR ≙ DF  
GAL ≙ FDSingle Switches  
with Series Diode

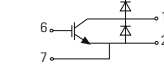
Half Bridge:



GAR-Chopper:

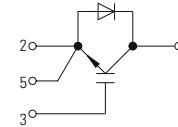
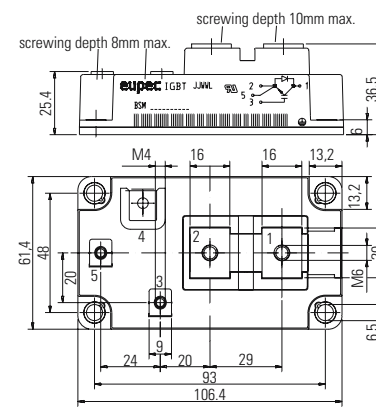


GAL-Chopper:



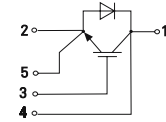
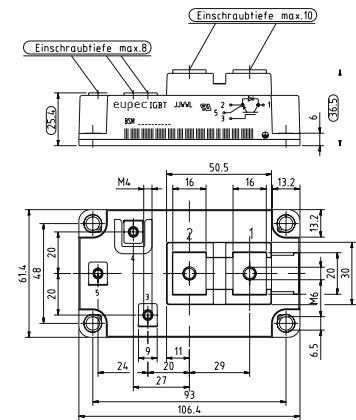
Single Switch 62

M\_62b



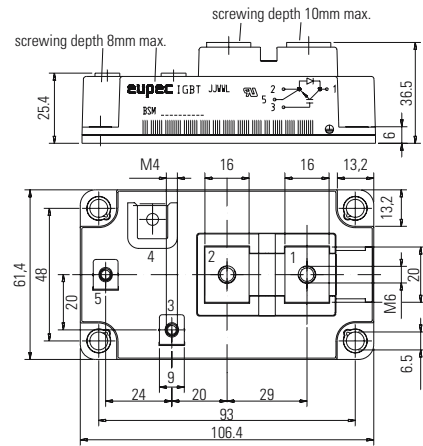
Single Switch 62, collector sense

M\_62c



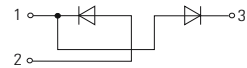
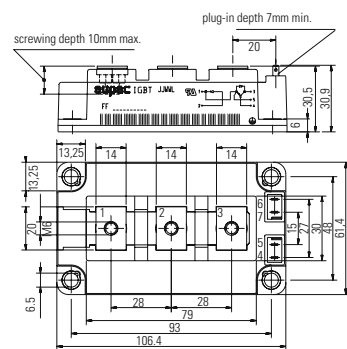
Single Diode 62

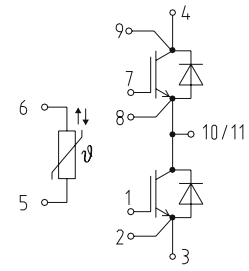
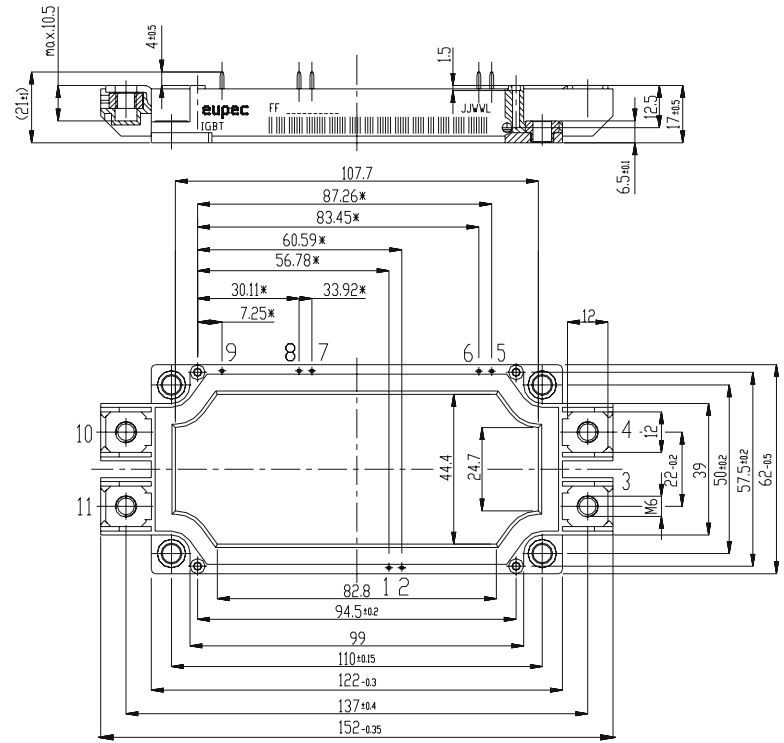
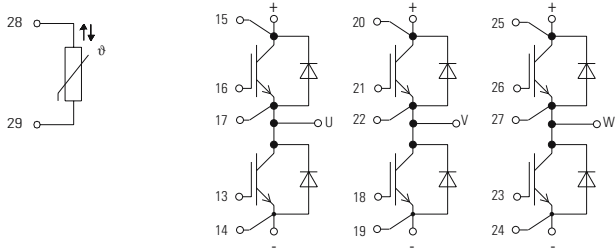
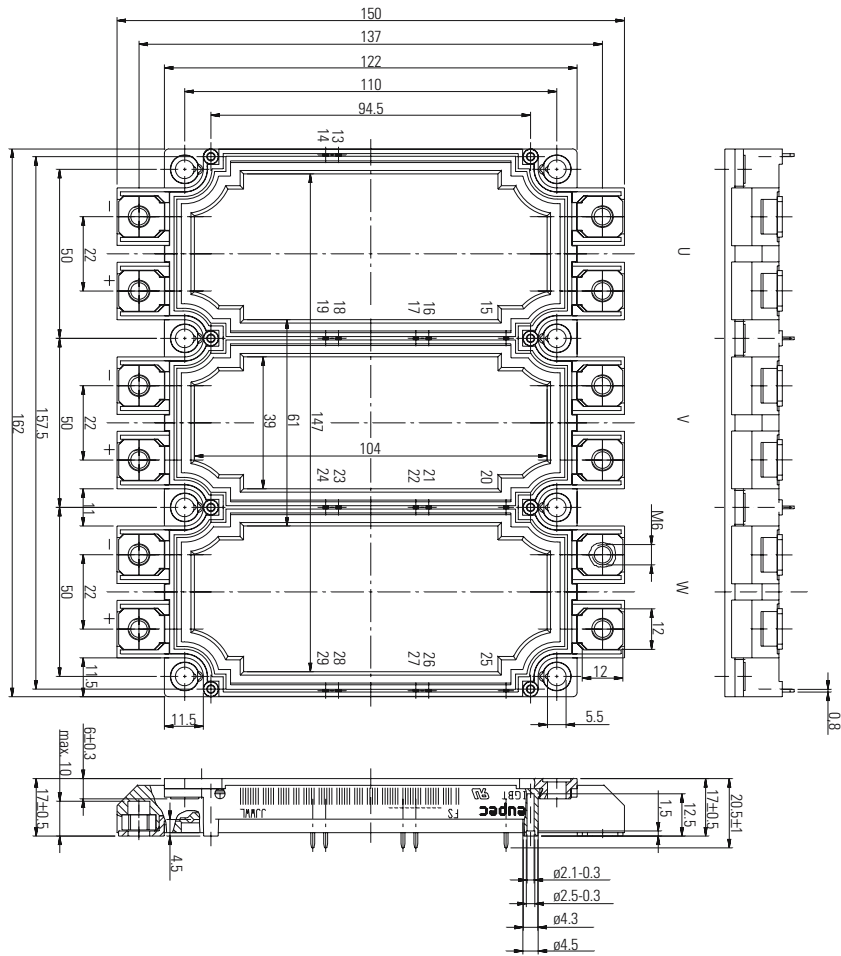
M\_62d



Dual Diode 62

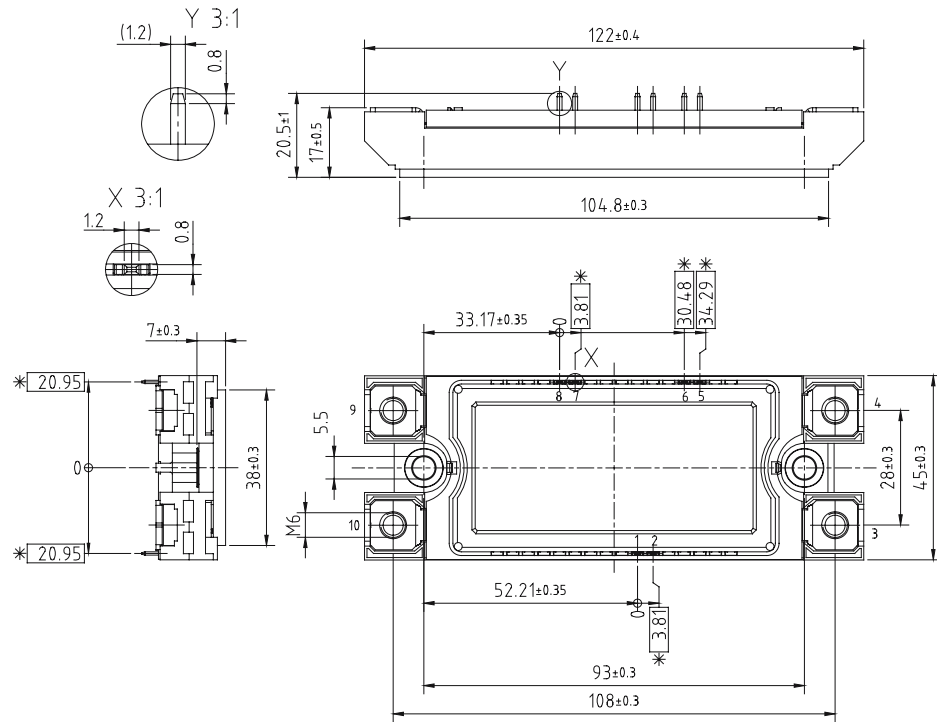
M\_62e



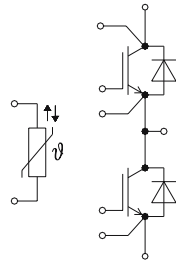


EconoDUAL™2

M\_ED2a

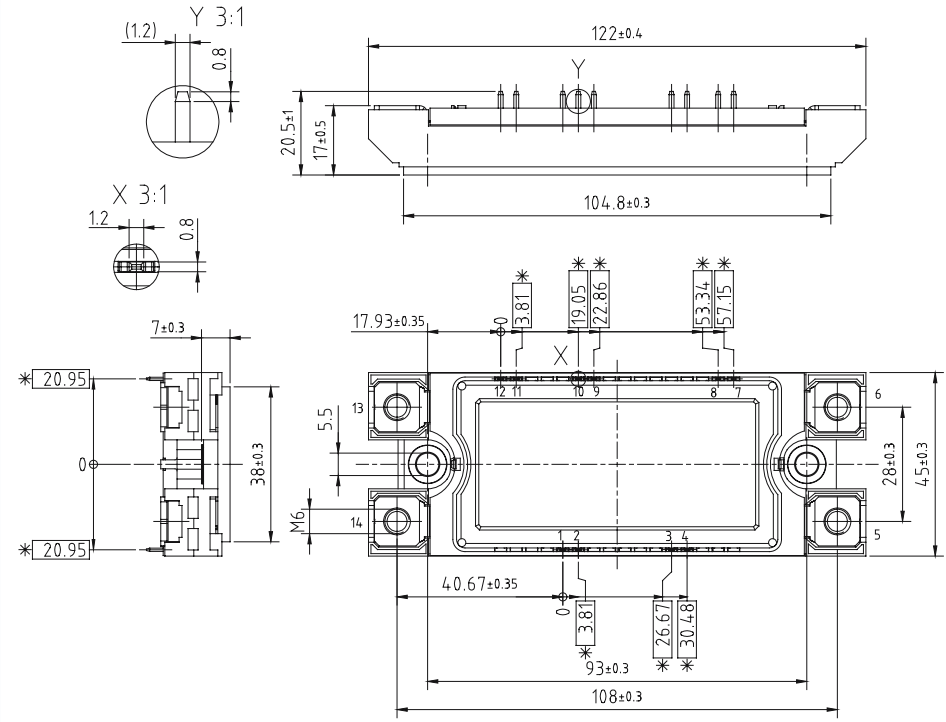


\* = alle Maße mit einer Toleranz von  $\pm 0.4$

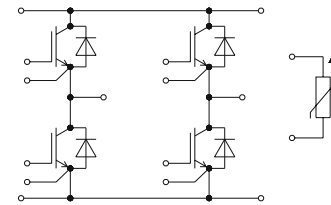


EconoDUAL™2

M\_ED2b

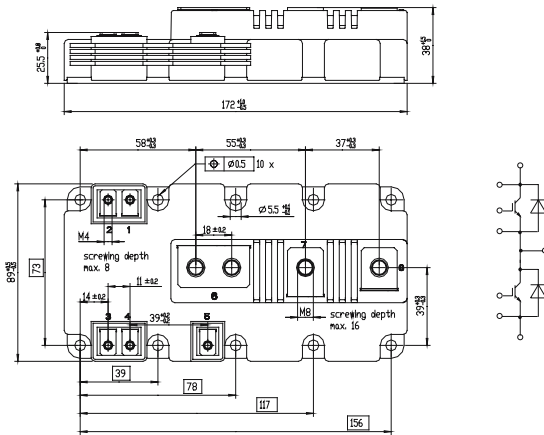


\* = alle Maße mit einer Toleranz von  $\pm 0.4$



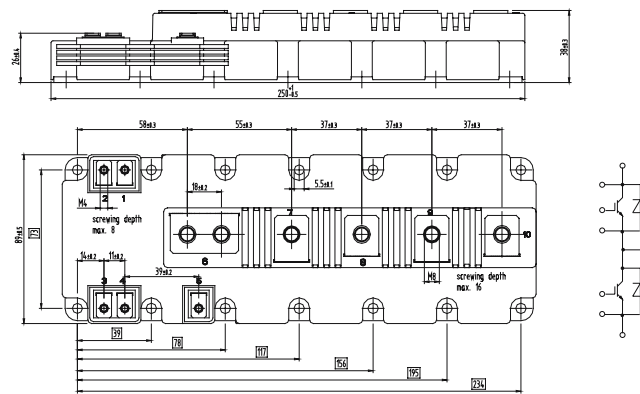
PrimePACK 2

H\_PP2a



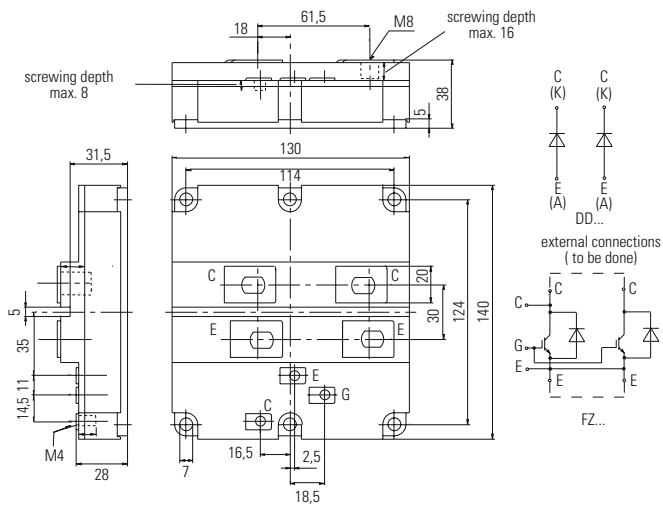
PrimePACK 3

H\_PP3a



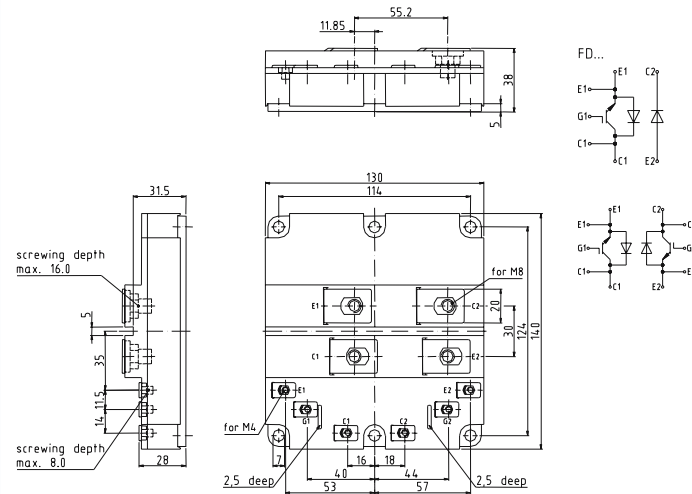
IHM

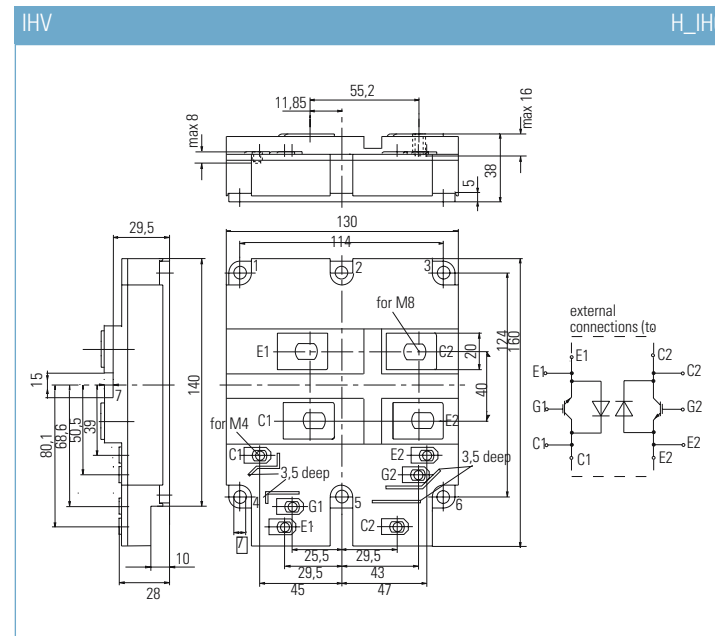
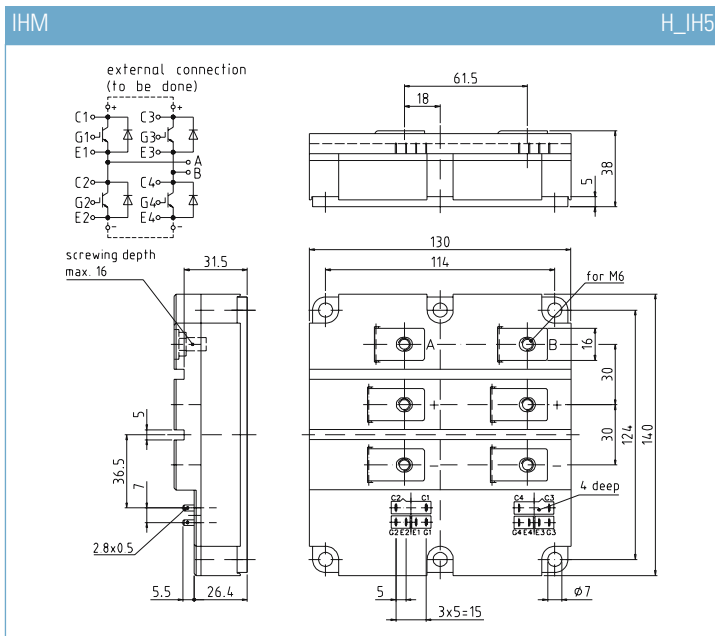
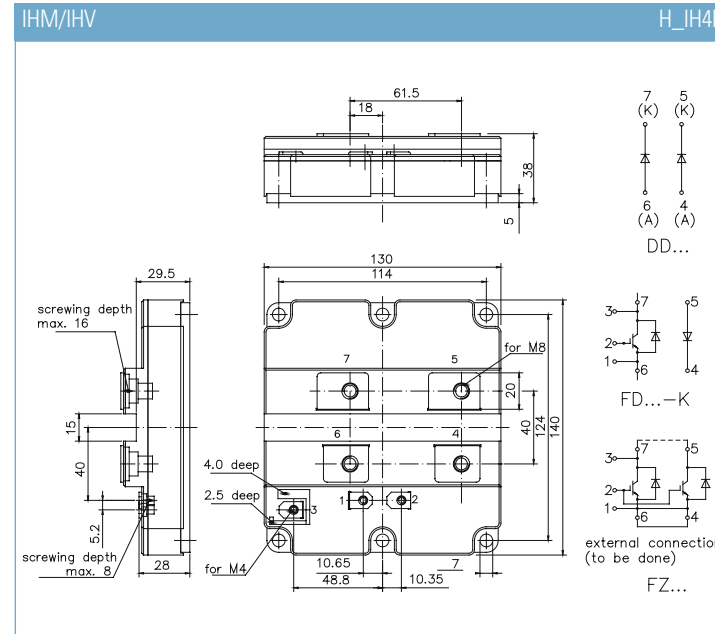
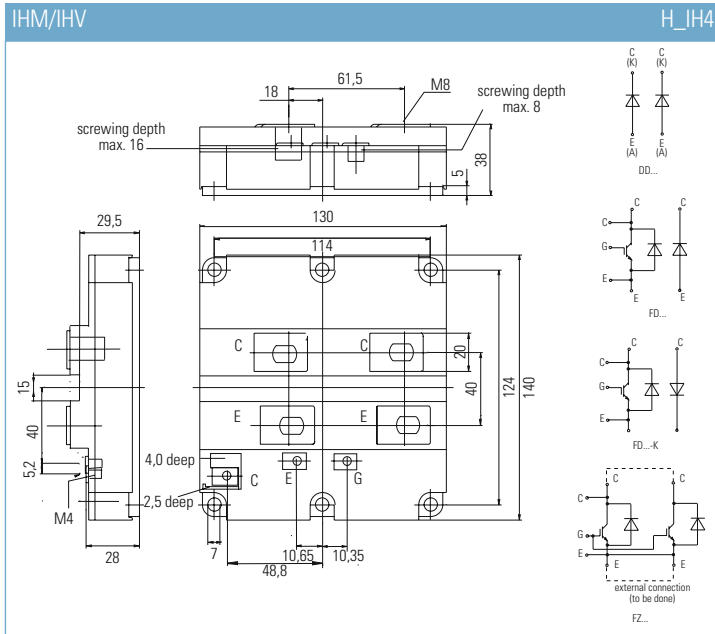
H\_IH1



IHM

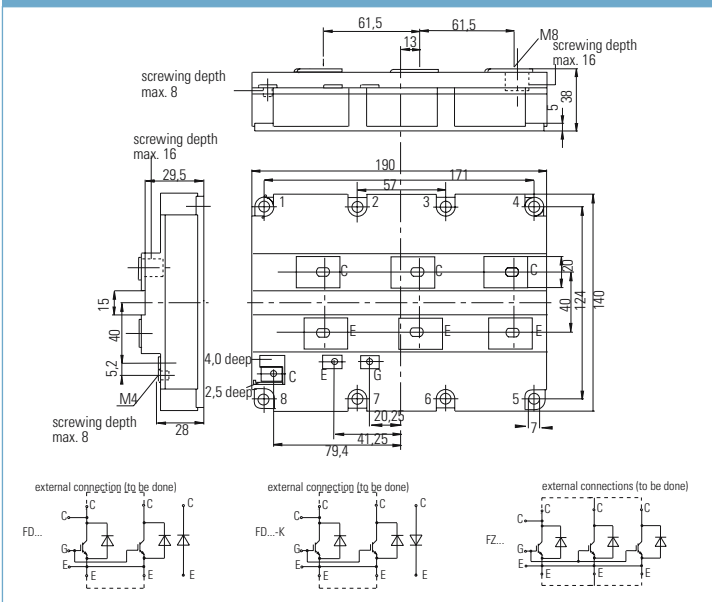
H\_IH2





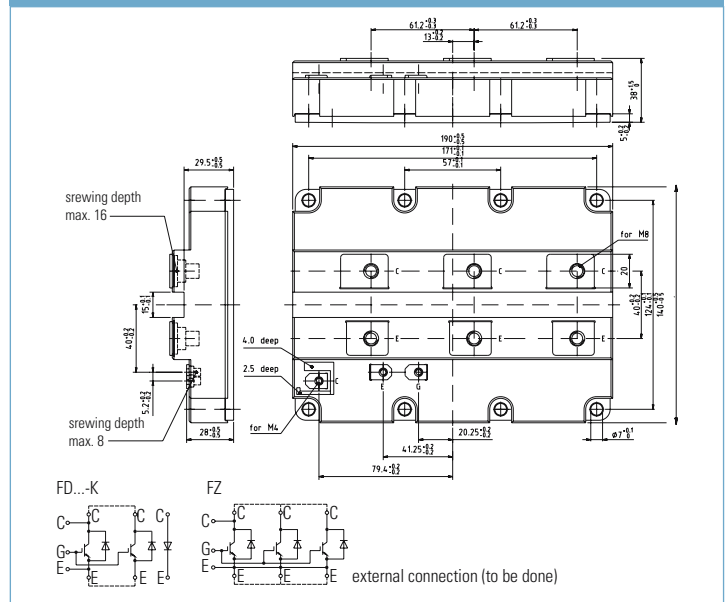
IHM/IHV

H\_IH7



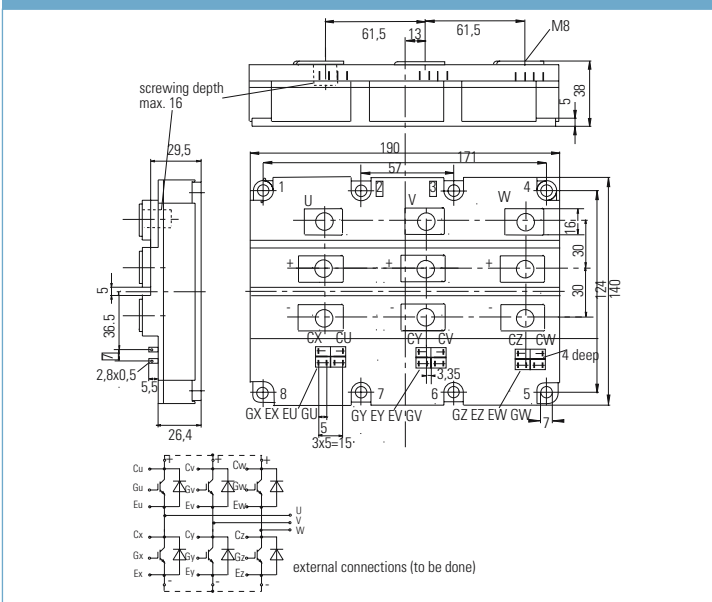
IHM/IHV

H\_IH7B



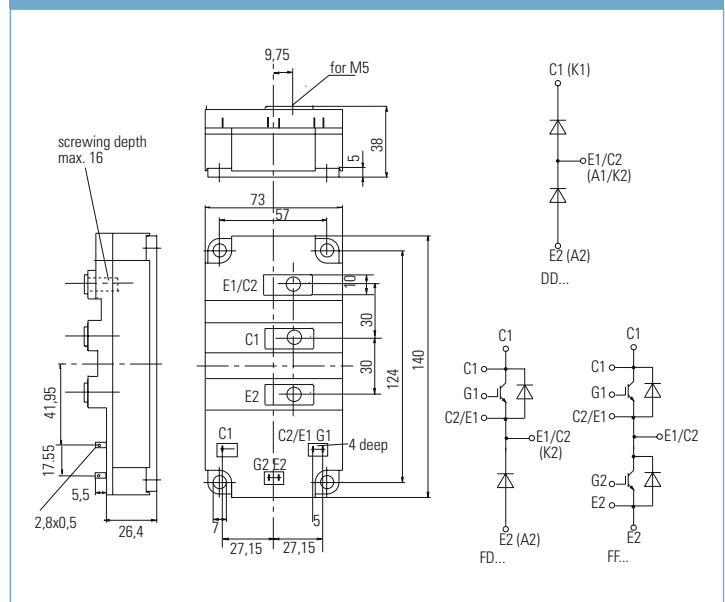
IHM

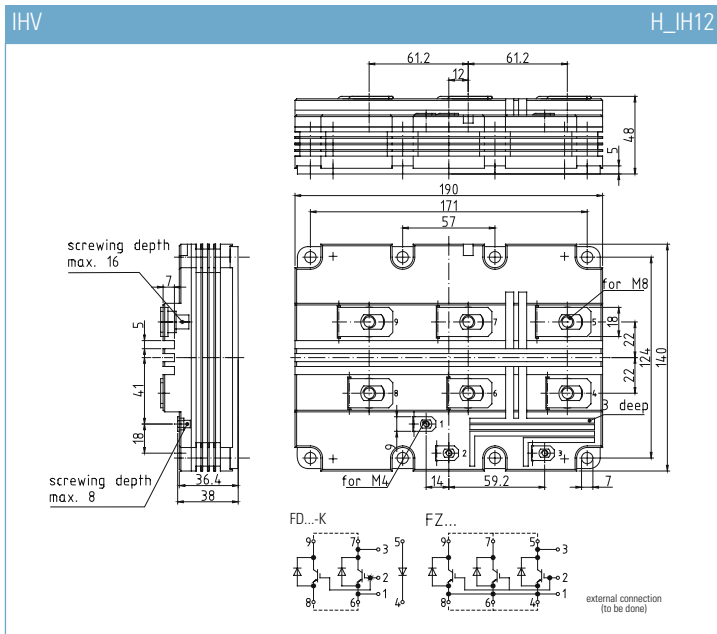
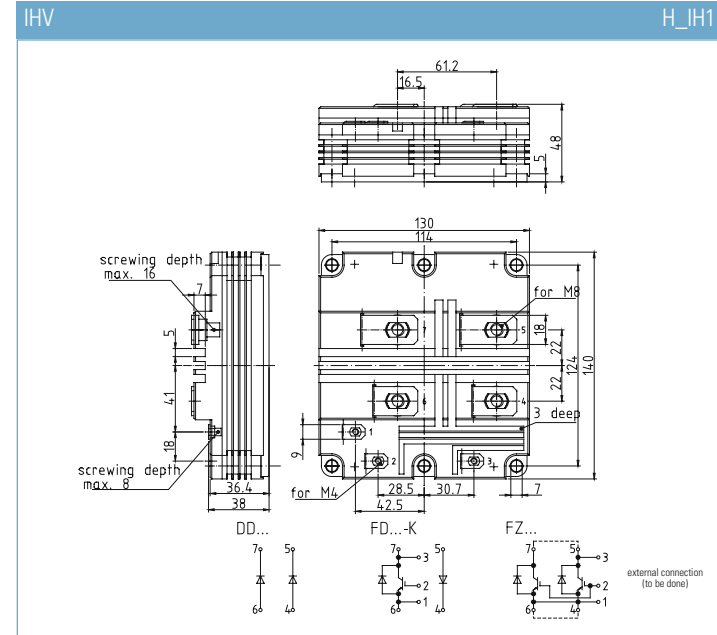
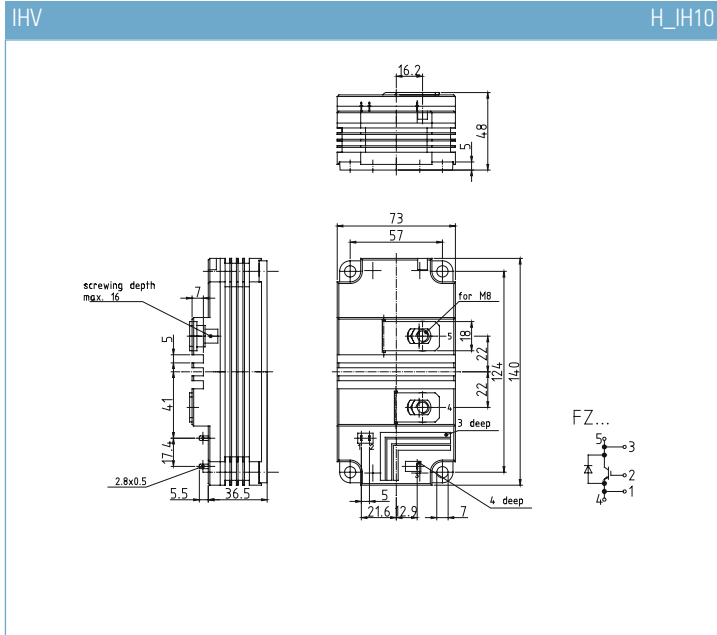
H\_IH8



IHM/IHV

H\_IH9

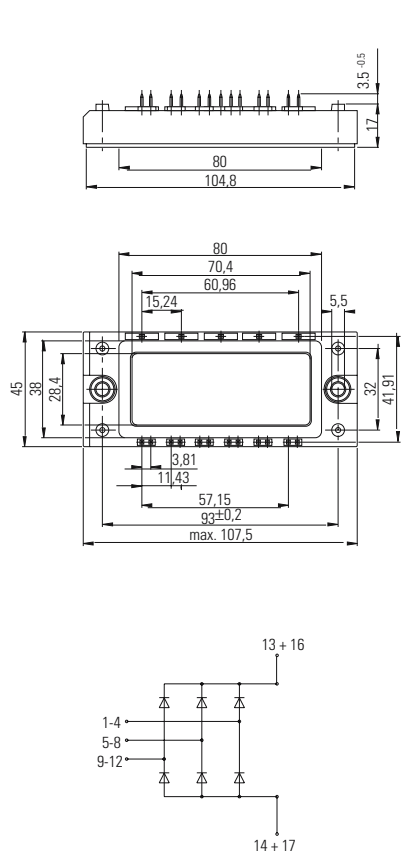




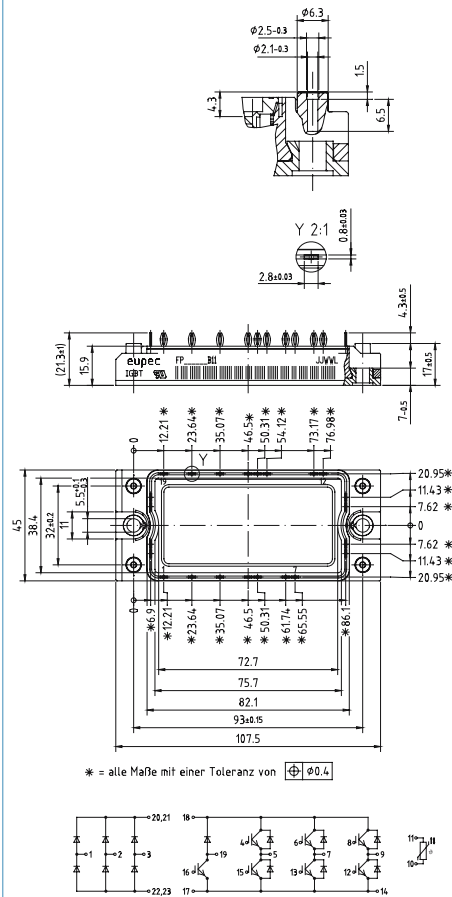




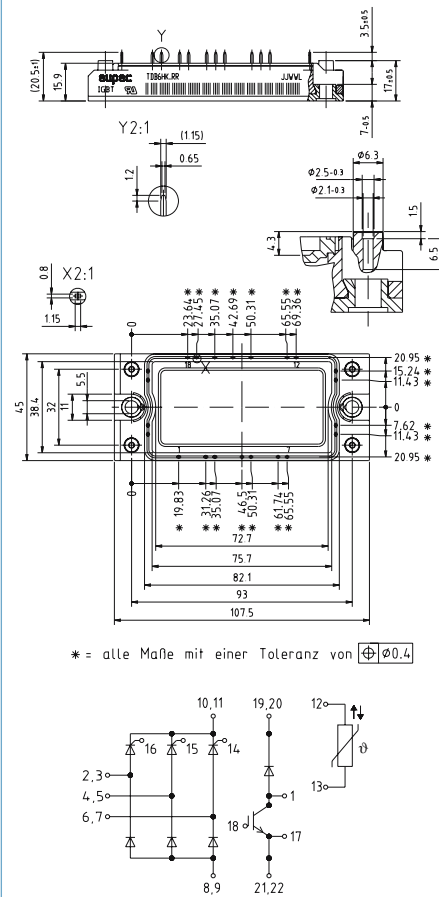
EconoBRIDGE™ Rectifier 2 M\_E2g



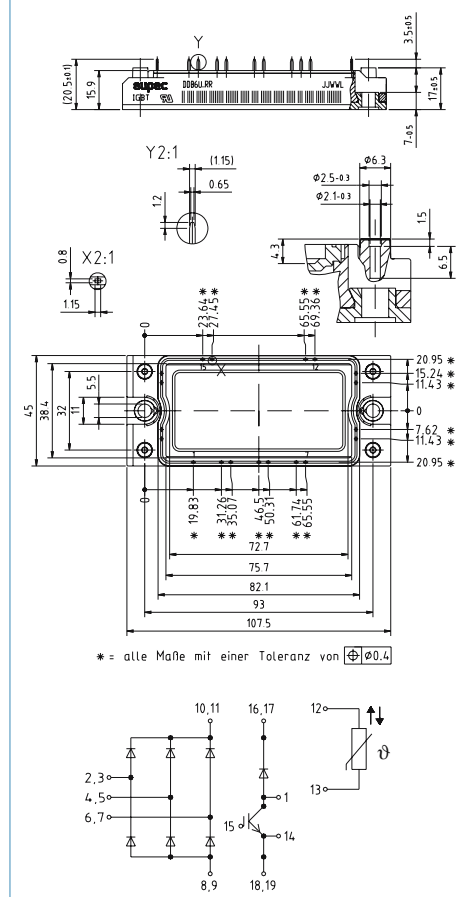
EconoBRIDGE™ Rectifier 2 M\_E2h

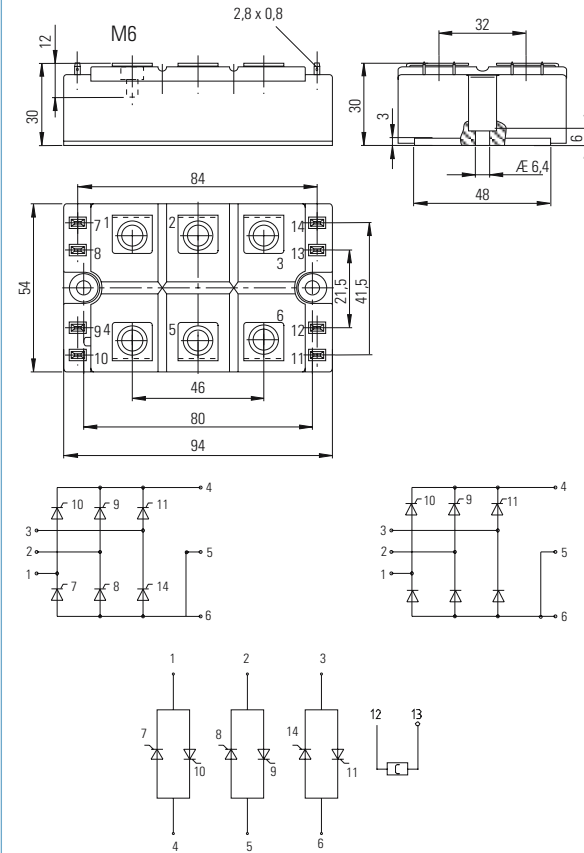
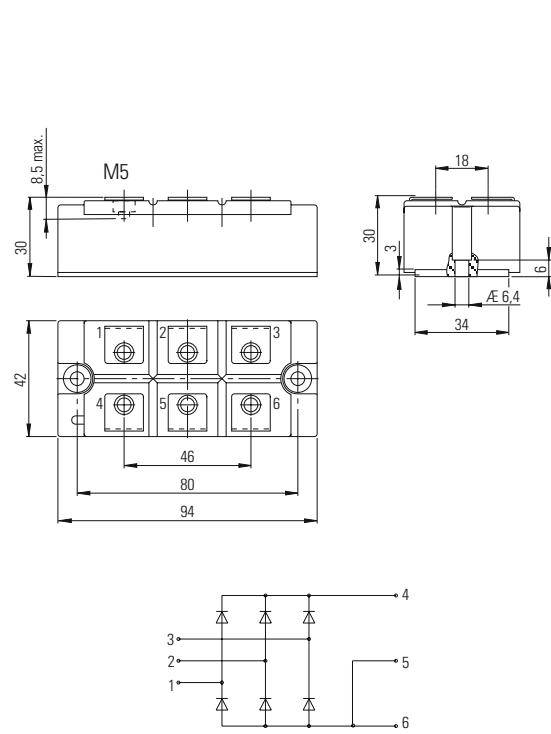


EconoBRIDGE™ Rectifier 2 M\_E2i

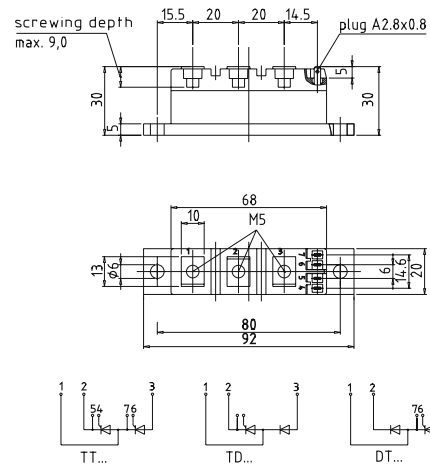


EconoBRIDGE™ Rectifier 2 M\_E2j

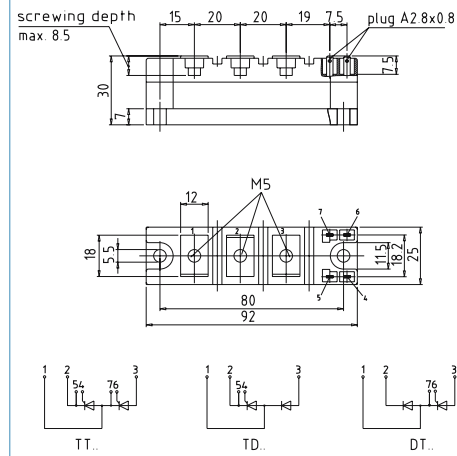




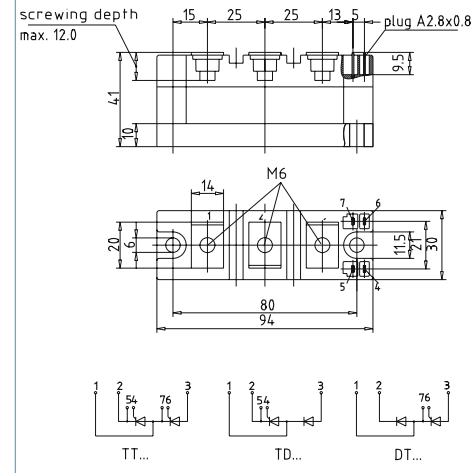
20 mm TP20



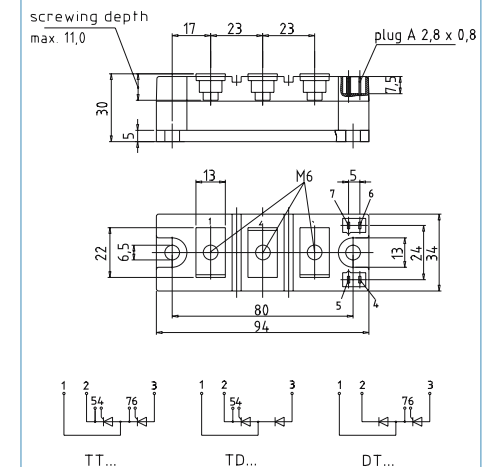
25 mm TP25



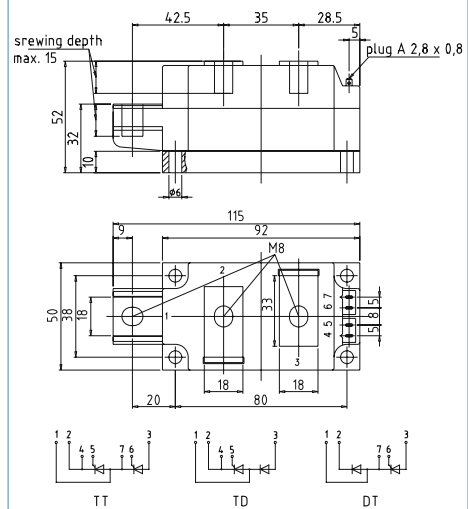
30 mm TP30



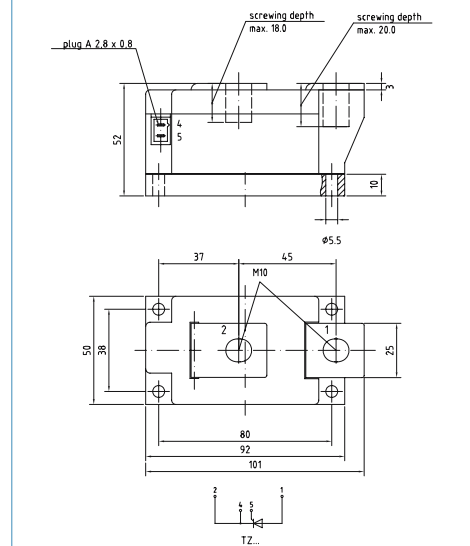
34 mm TP34



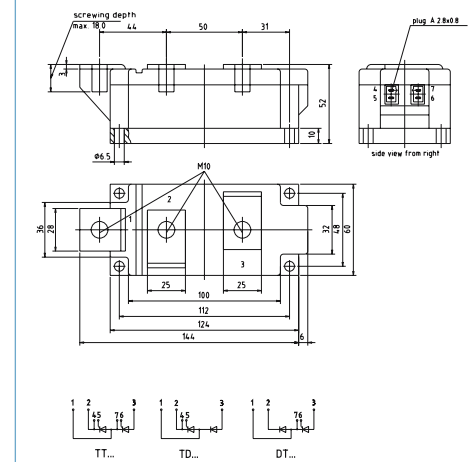
50 mm TP50



50 mm TP50.1

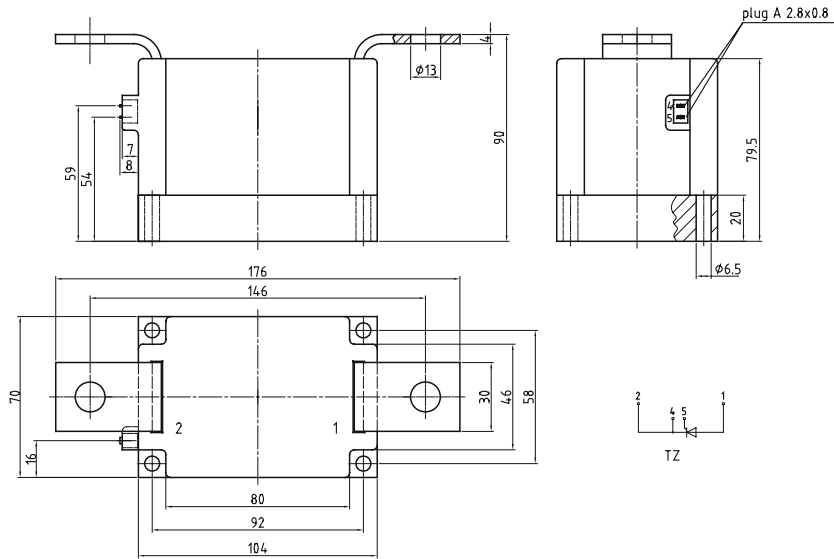


60 mm TP60



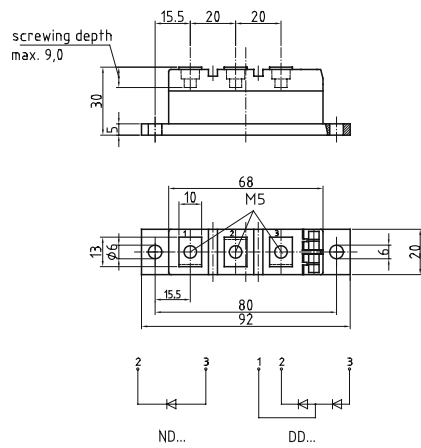
70 mm

TP70



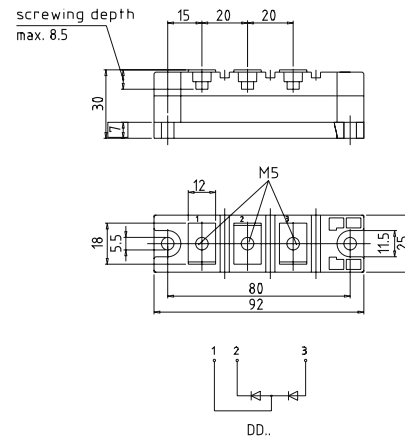
20 mm

DP20



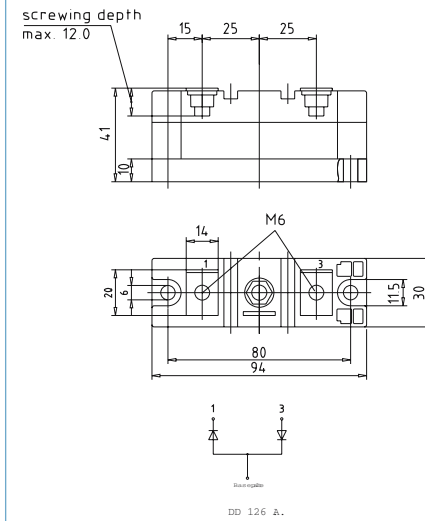
25 mm

DP25

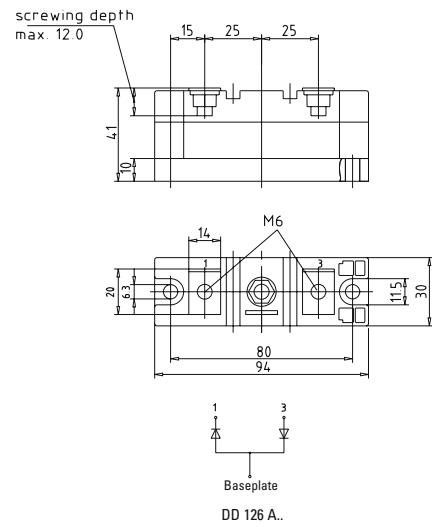


30 mm

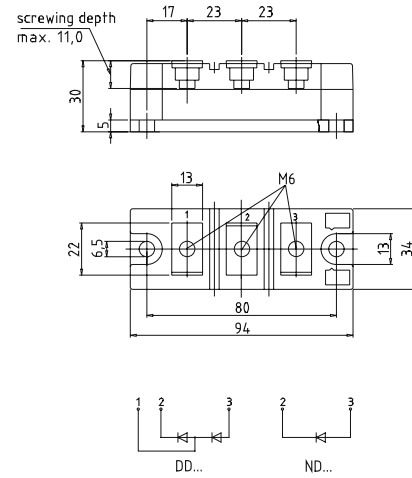
DP30



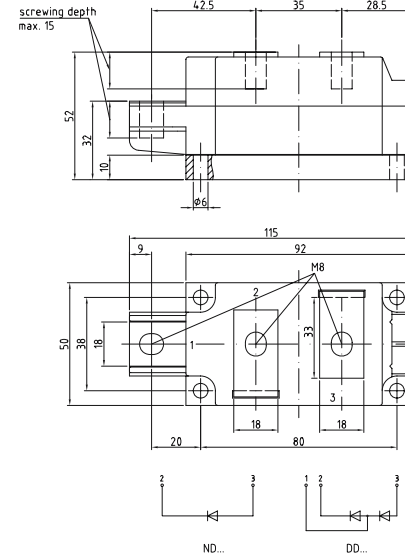
30 mm DP30.1



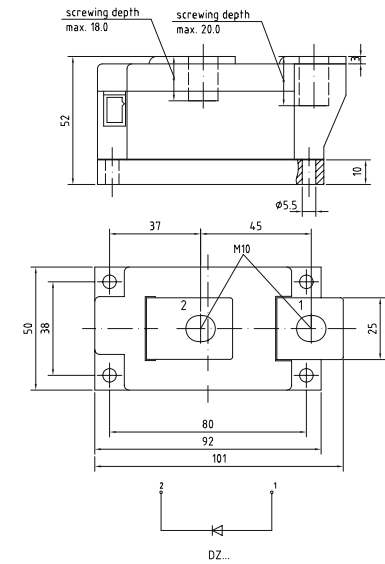
34 mm DP34



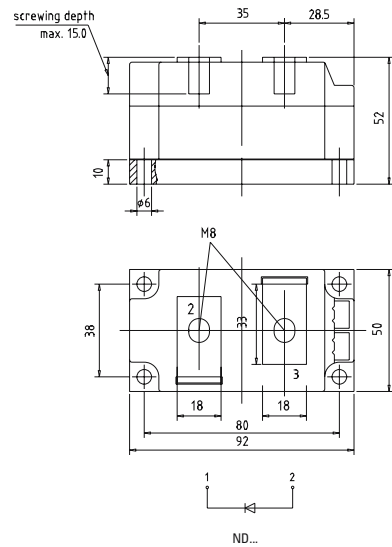
50 mm DP50



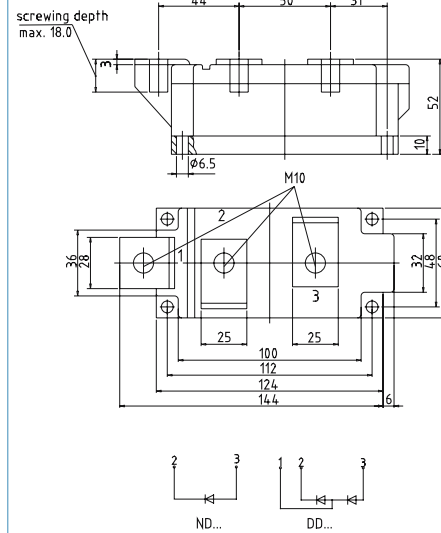
50 mm DP50.1



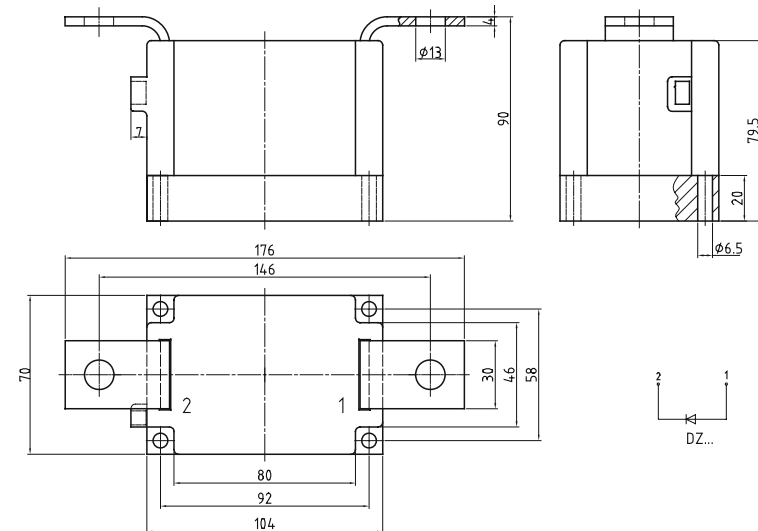
50 mm DP50ND



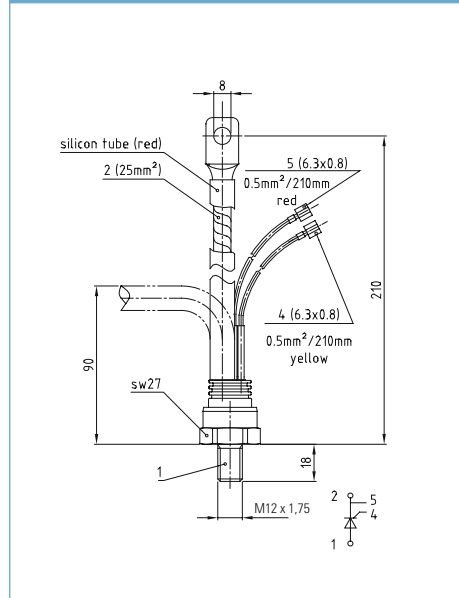
60 mm DP60



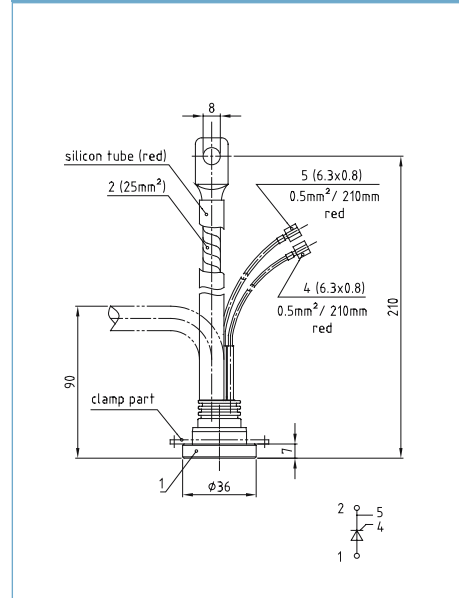
70 mm DP70



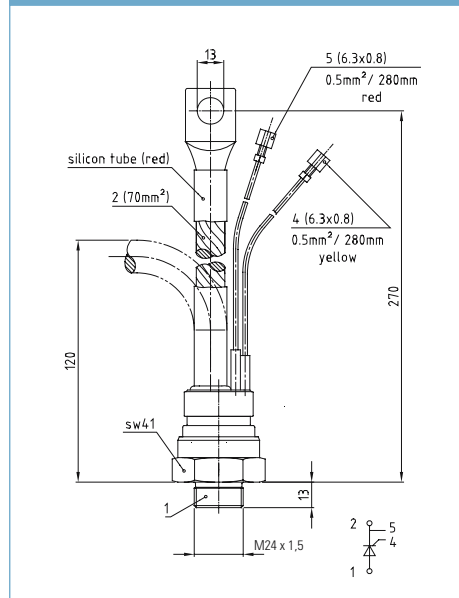
TSW27



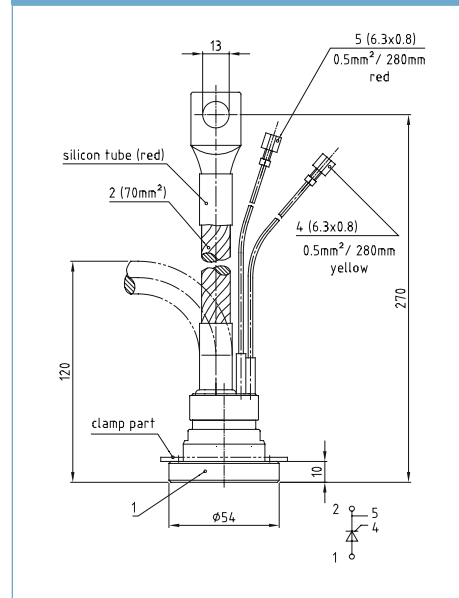
TFL36



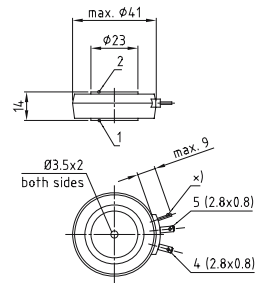
TSW41



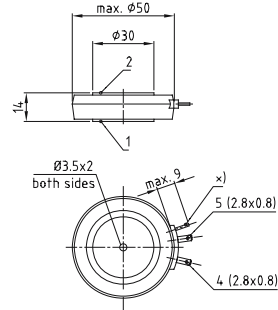
TFL54



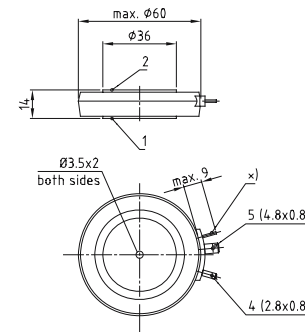
T41.14



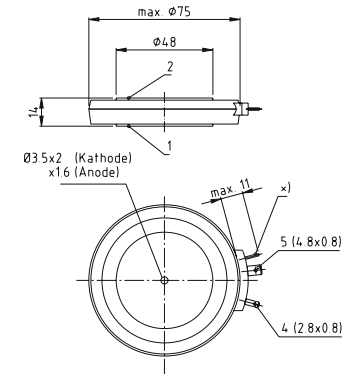
T50.14



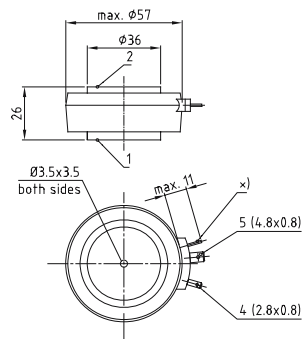
T60.14



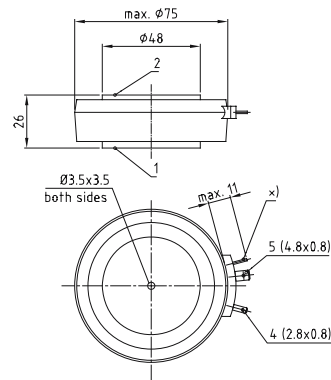
T75.14



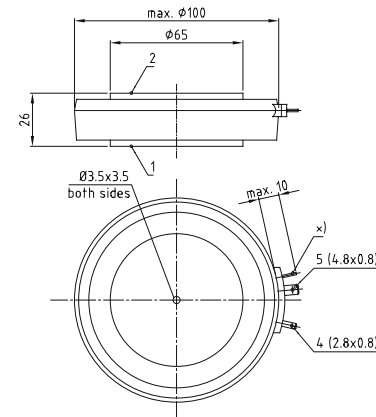
T57.26



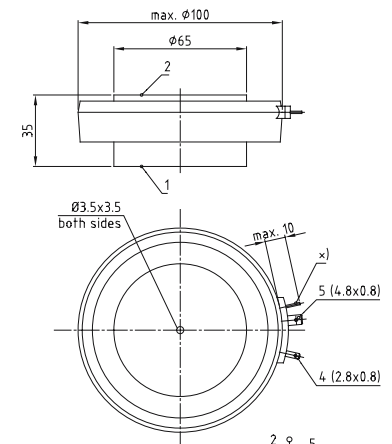
T75.26



T100.26



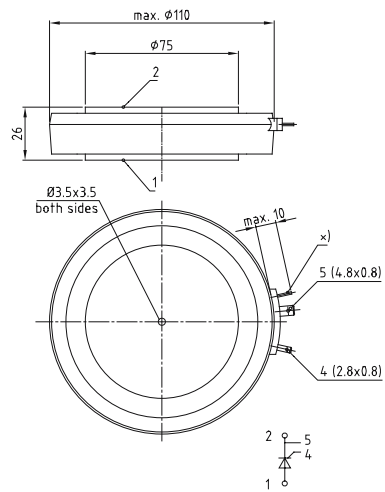
T100.35



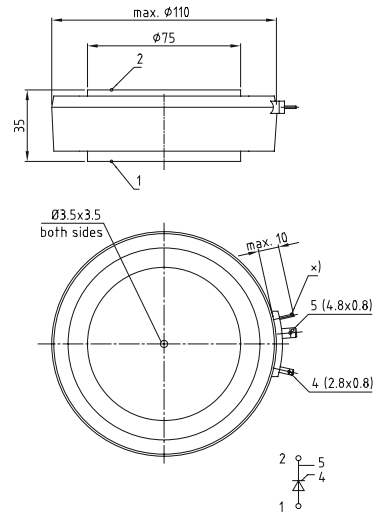
X) = evacuation pipe



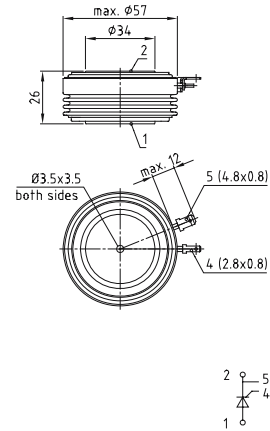
T110.26



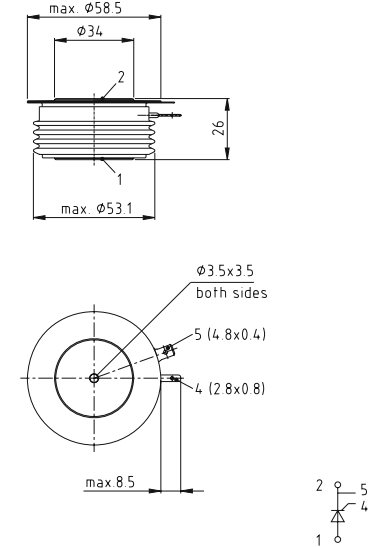
T110.35



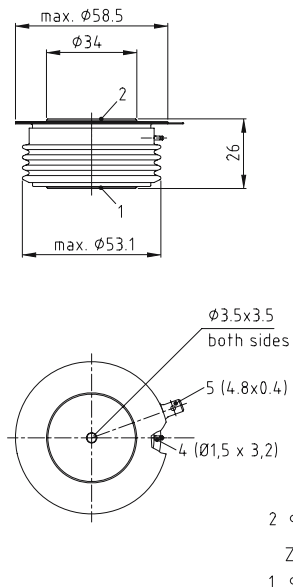
T57.26K



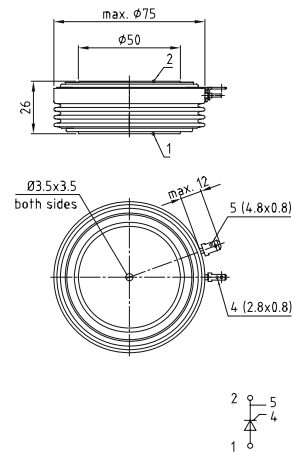
T58.26K



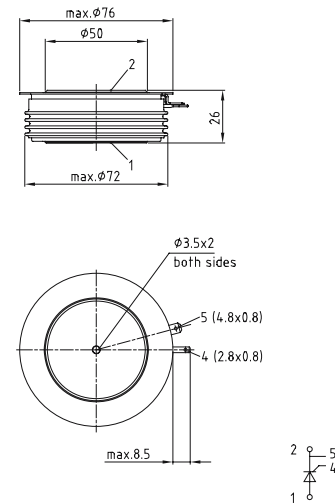
T58.26K0



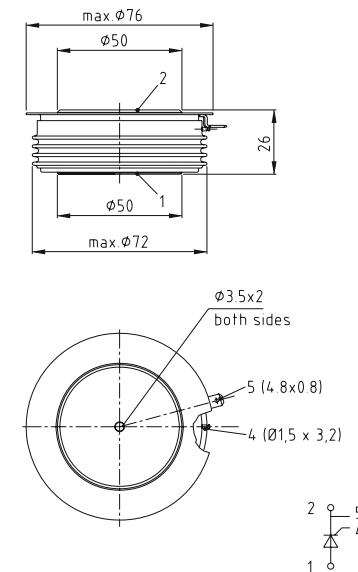
T75.26K



T76.26K

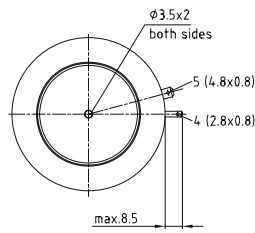
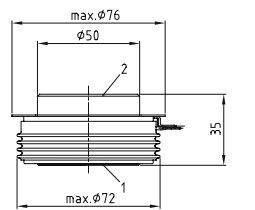


T76.26K0

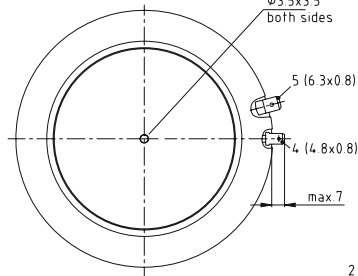
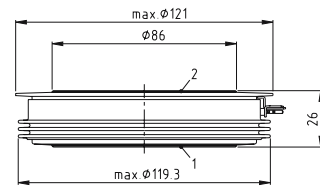


X) = evacuation pipe

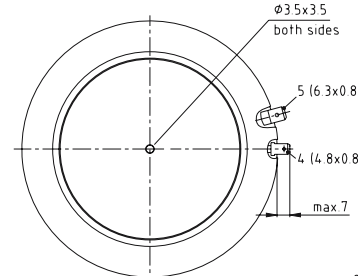
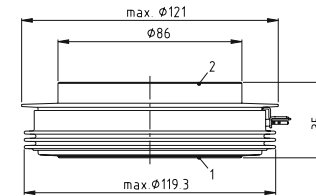
T76.35K



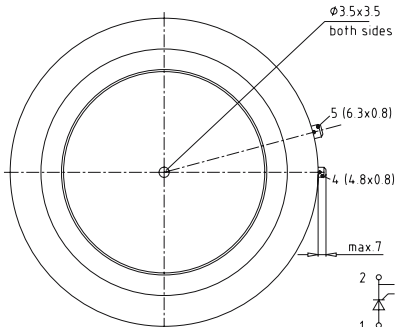
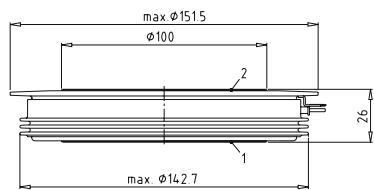
T120.26K



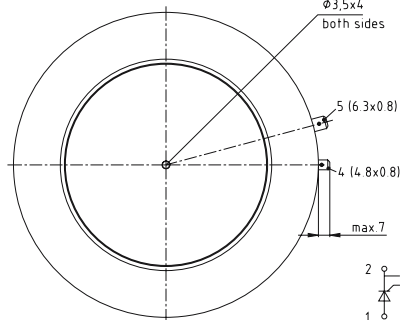
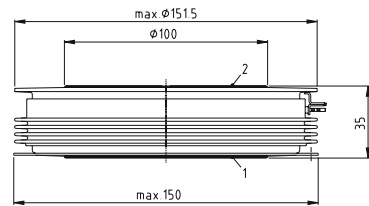
T120.35K



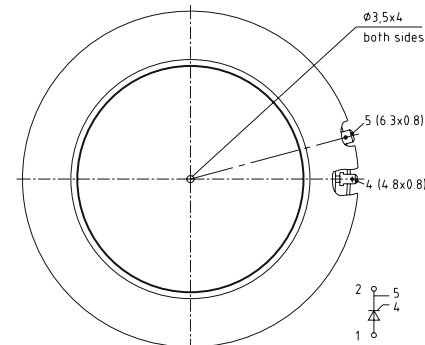
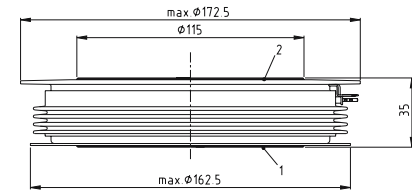
T150.26K



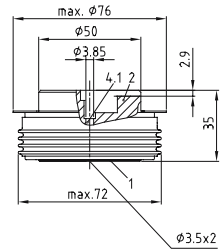
T150.35K



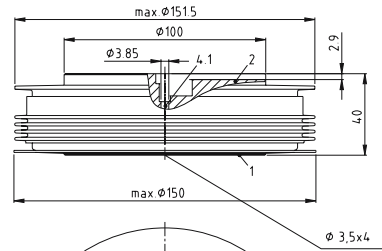
T172.35K



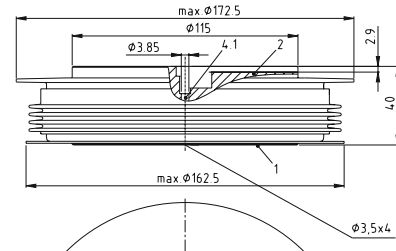
T76.35L



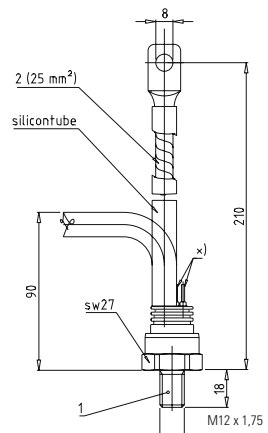
T150.40L



T172.40L

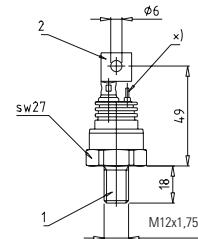


DSW27



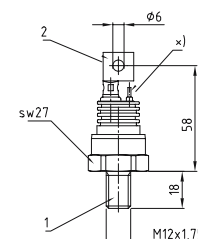
type	symbol	cathode	anode	prof. flex. tubing
N, S	⌘	rope (2)	case (1)	red
K, U	⌘	case (1)	rope (2)	blue

DSW27.1



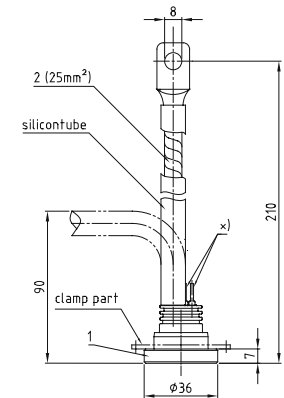
type	symbol	cathode	anode
N, S	⌘	connection pin	case (1)
K, U	⌘	case (1)	connection pin

DSW27.2



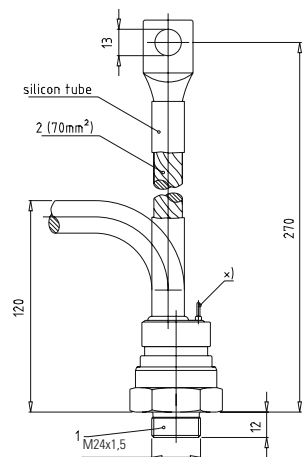
type	symbol	cathode	anode
N, S, A	⌘	connection pin (2)	case (1)
K, U, B	⌘	case (1)	connection pin (2)

DFL36



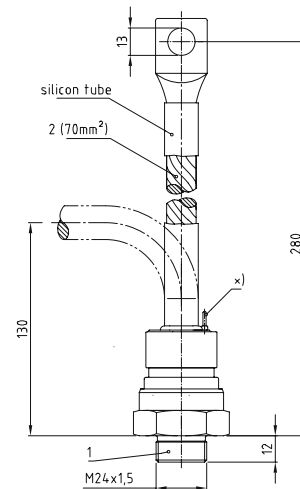
type	symbol	cathode	anode	prof. flex. tubing
N, S	⌘	rope (2)	case (1)	red
K, U	⌘	case (1)	rope (2)	blue

DSW41



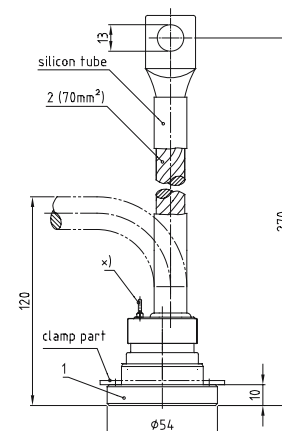
type	symbol	cathode	anode	prof. flex. tubing
N, S	⌘	rope (2)	case (1)	red
K, U	⌘	case (1)	rope (2)	blue

DSW41.1



type	symbol	cathode	anode	prof. flex. tubing
N, S	⌘	rope (2)	case (1)	red
K, U	⌘	case (1)	rope (2)	blue

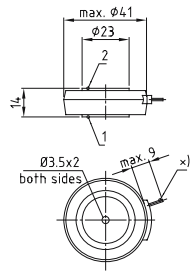
DFL54



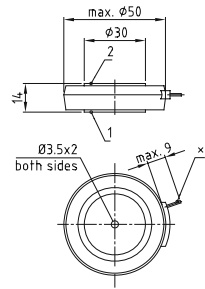
type	symbol	cathode	anode	prof. flex. tubing
N, S	⌘	rope (2)	case (1)	red
K, U	⌘	case (1)	rope (2)	blue

X) = evacuation pipe

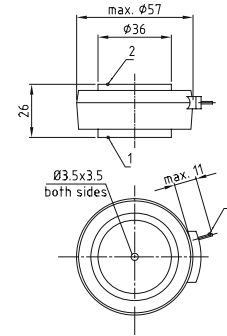
D41.14



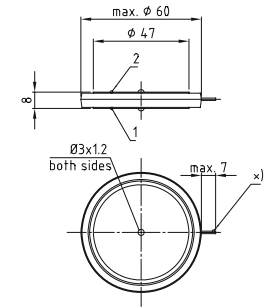
D50.14



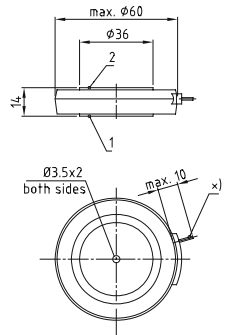
D57.26



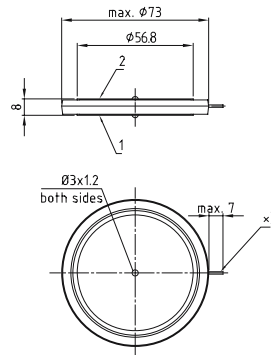
D60.8



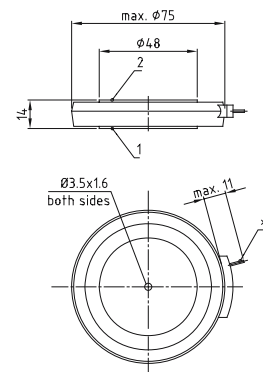
D60.14



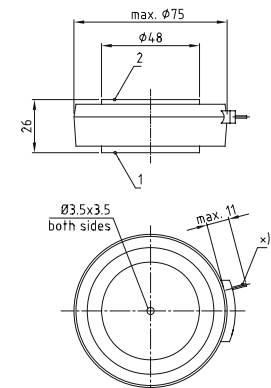
D73.8



D75.14

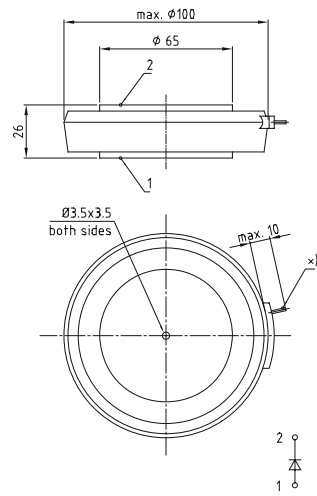


D75.26

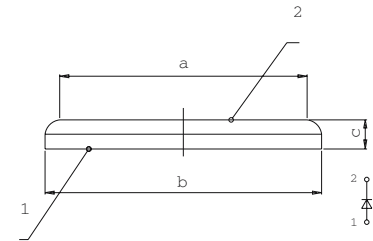
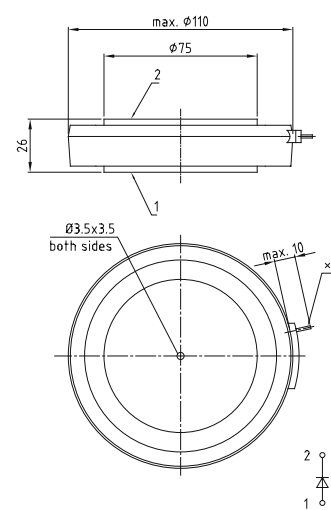


X) = evacuation pipe

D100.26



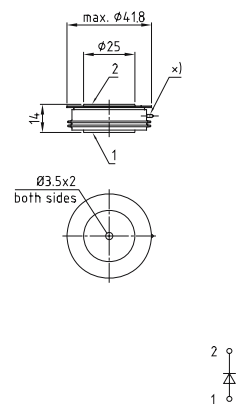
D110.26



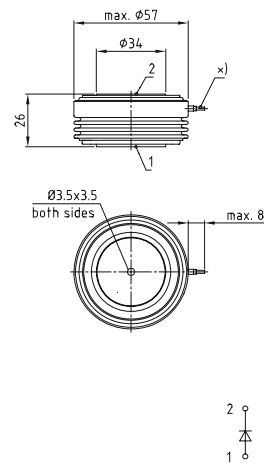
Bezeichnung	a	b	c
25DN06	Ø 22	Ø 25	3,6
38DN06	Ø 34	Ø 38	4,0
46DN06	Ø 43	Ø 46	4,0
56DN06	Ø 50	Ø 56	5,0
65DN06	Ø 58	Ø 65	5,0

X) = evacuation pipe

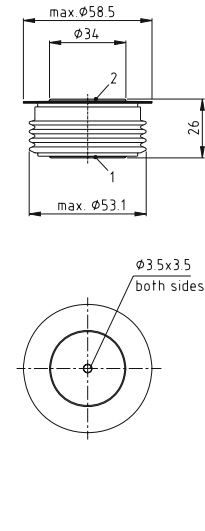
D41.14K



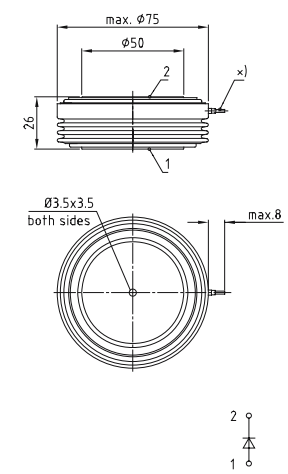
D57.26K



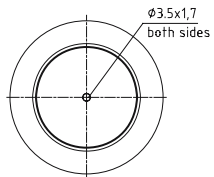
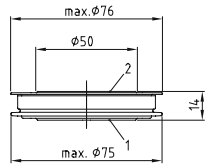
D58.26K



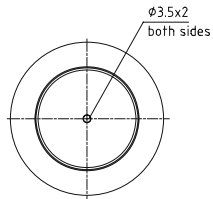
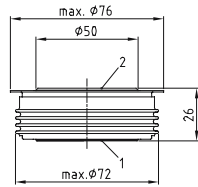
D75.26K



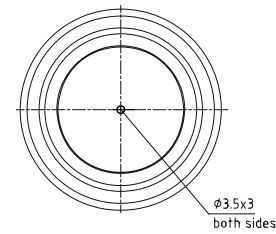
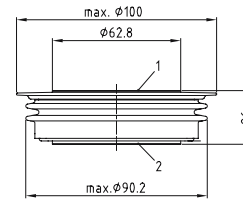
D76.14K



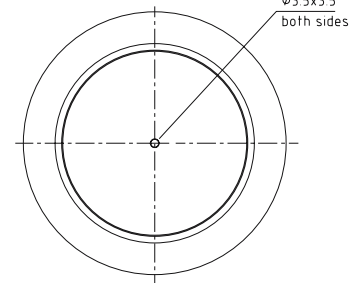
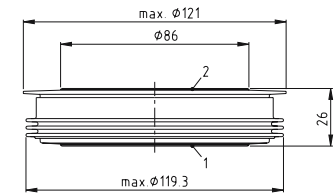
D76.26K



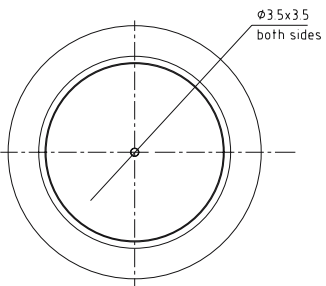
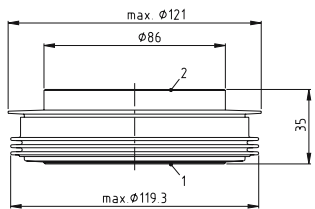
D100.26K



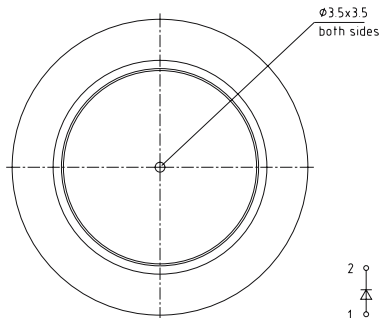
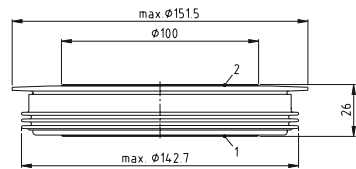
D120.26K



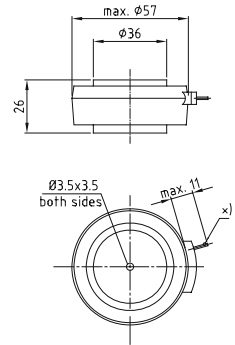
D120.35K



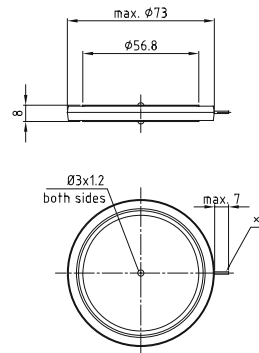
D150.26K



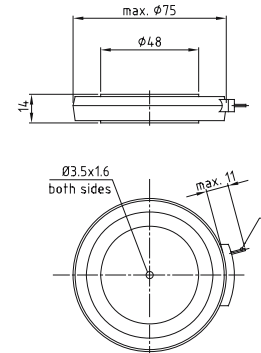
I57.26



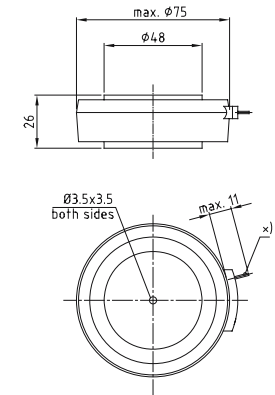
I72.8



I75.14



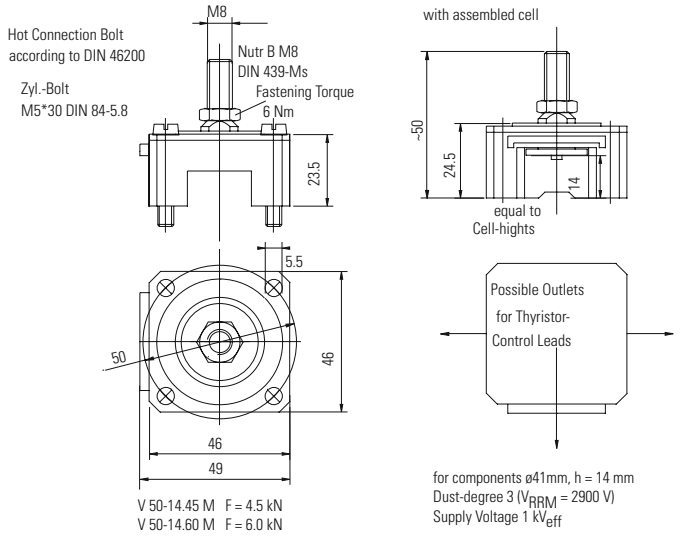
I75.26



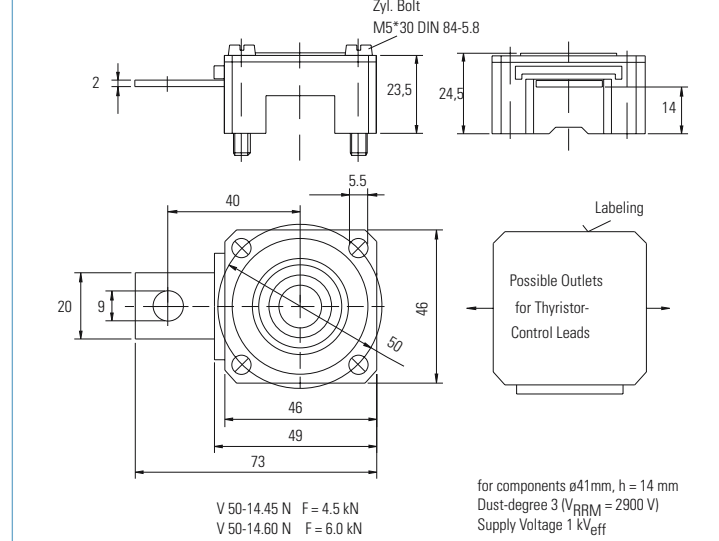
X) = evacuation pipe



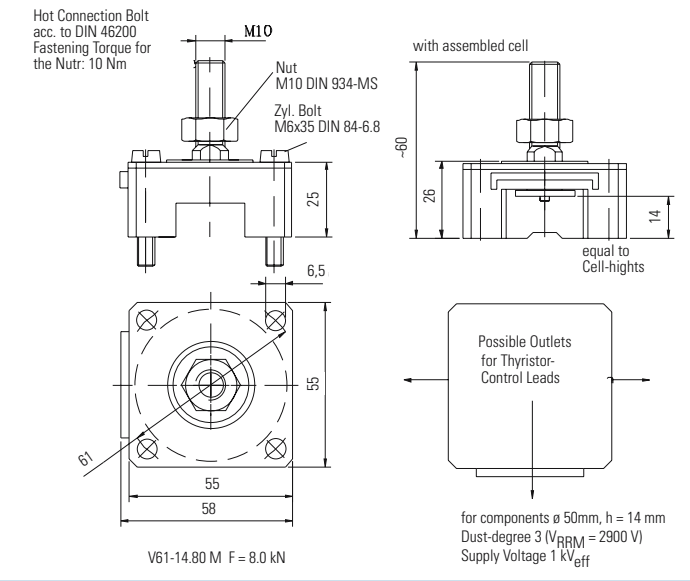
V50..M



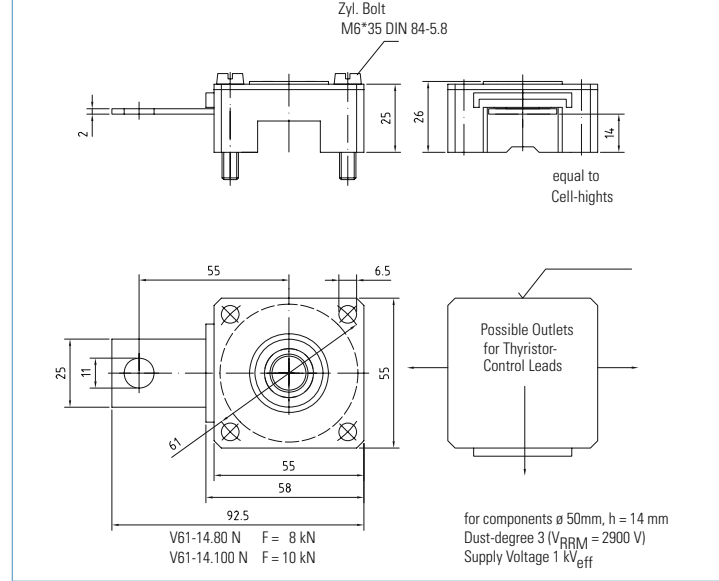
V50..N



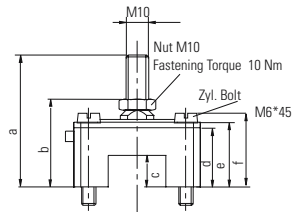
V61..M



V61..N



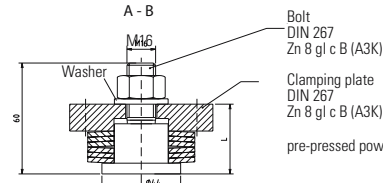
V 72



for components  $\phi 60\text{mm}$ ,  $h = 14/26\text{ mm}$   
 Dust-degree 3 ( $V_{RRM} = 4000/5000\text{ V}$ )  
 Supply Voltage 1,4/1,8  $kV_{eff}$

Clamping device	c	l	a	b	d	e	f	F	$U_{eff}$
V72-14.150M	14	45	68	49	32	36	40,5	15 kN	1400V
V72-26.150M	26	60	80	61	44	48	52,5	15 kN	1800V
V72-26.80 M	26	60	80	61	44	48	52,5	8 kN	1800V
V72-26.120M	26	60	80	61	44	48	52,5	12 kN	1800V
V72-26.120MS	26	60	80	61	44	49	53,5	12 kN	2100V

V 89



pre-pressed power unit

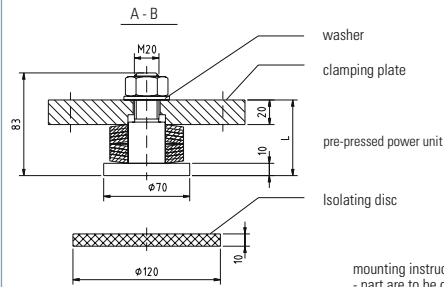
Isolating disc

mounting instructions:  
 - part are to be centered  
 - the clamping plate must be fixed equally with 4 Bolts M10 - 8.8 (not included) until the washer is untight up to a gap of 0.2 mm.  
 - glue untightened washer to avoid noises

For max. 2  $kV_{eff}$  applications  
 Dust-degree 3  
 For higher voltage on request  
 For components  $D = 75\text{ mm}$

Type	Mat.-No.	clamping force	L
V89-26.400N	6921	40KN	38
V89-26.300N	3586	30KN	39
V89-26.170N	12784	17KN	40

V 176

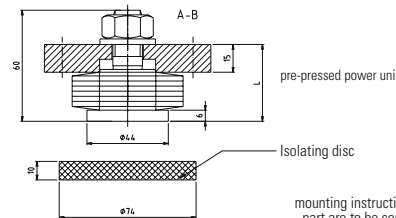


mounting instructions:  
 - part are to be centered  
 - the clamping plate must be fixed equally with 4 Bolts M12 - 8.8 (not included) until the washer is untight up to a gap of 0.2 mm.  
 - glue untightened washer to avoid noises

For max. 2,5  $kV_{eff}$  applications  
 Dust-degree 3  
 For components  $D = 150\text{ mm}$

Type	Mat.-No.	clamping force	L
V176-35.650N	19610	65KN	57.5
V176-35.500N	19611	50KN	58.5
V176-35.400N	19612	40KN	59.5

V 100



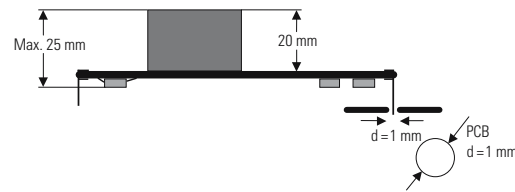
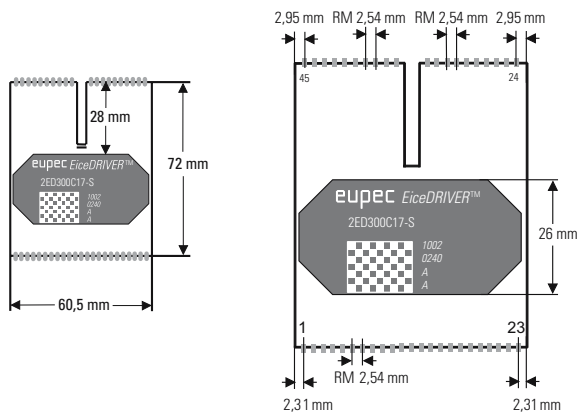
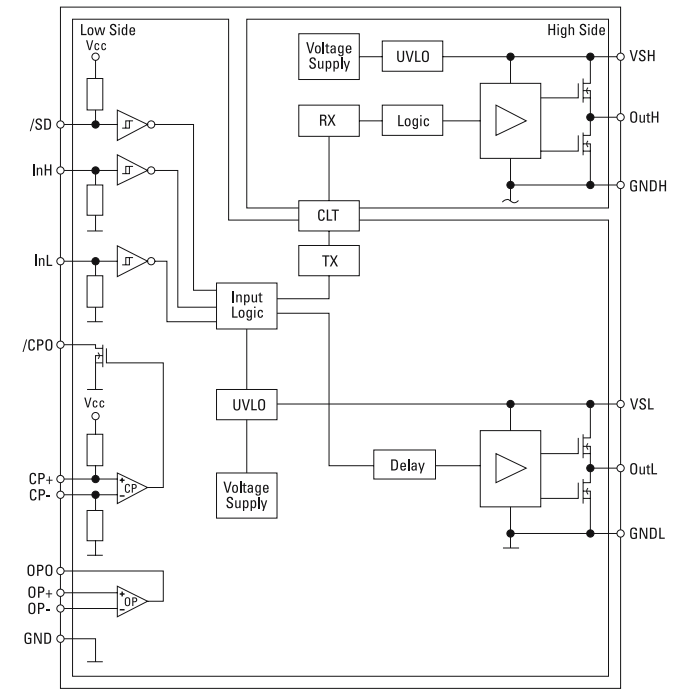
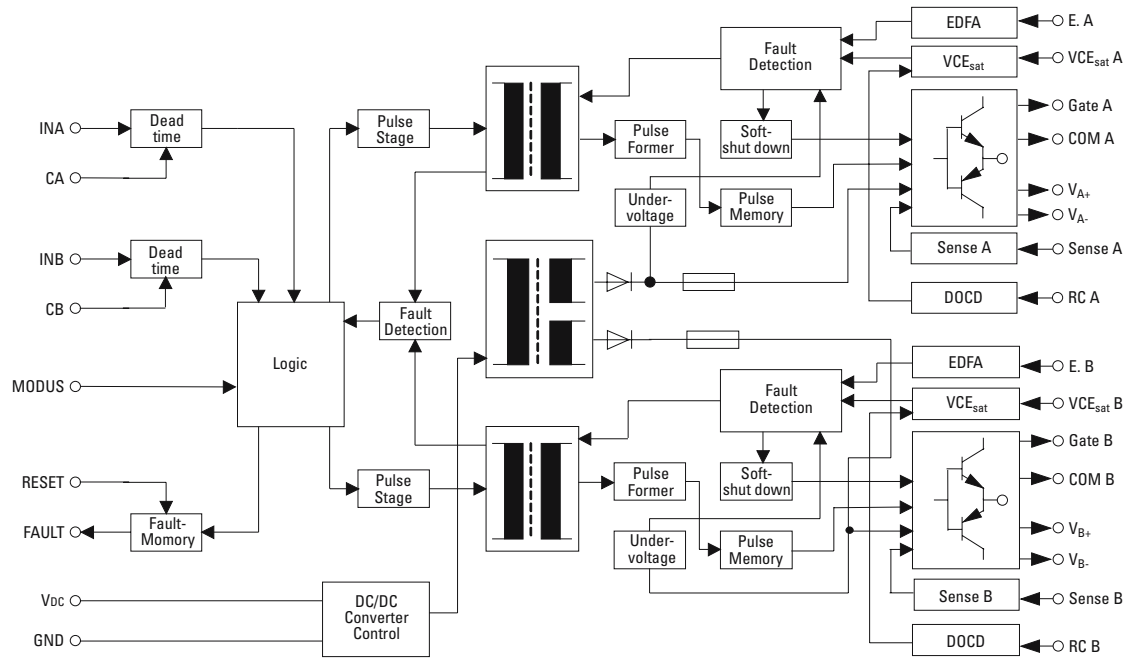
pre-pressed power unit

Isolating disc

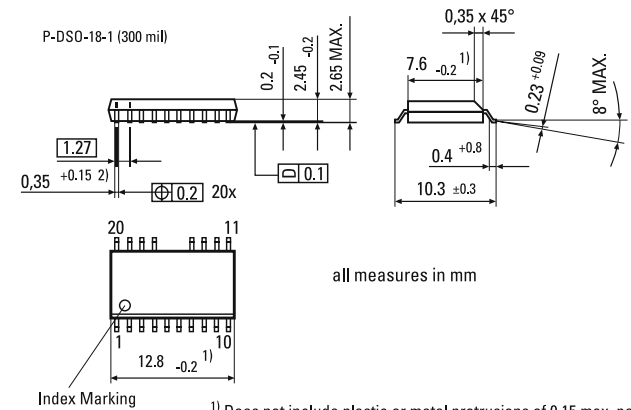
mounting instructions:  
 - part are to be centered  
 - the clamping plate must be fixed equally with 4 Bolts M12 - 8.8 (not included) until the washer is untight up to a gap of 0.2 mm.  
 - glue untightened washer to avoid noises

For max. 2,5  $kV_{eff}$  applications  
 Dust-degree 3  
 For components  $D = 75\text{ mm}$

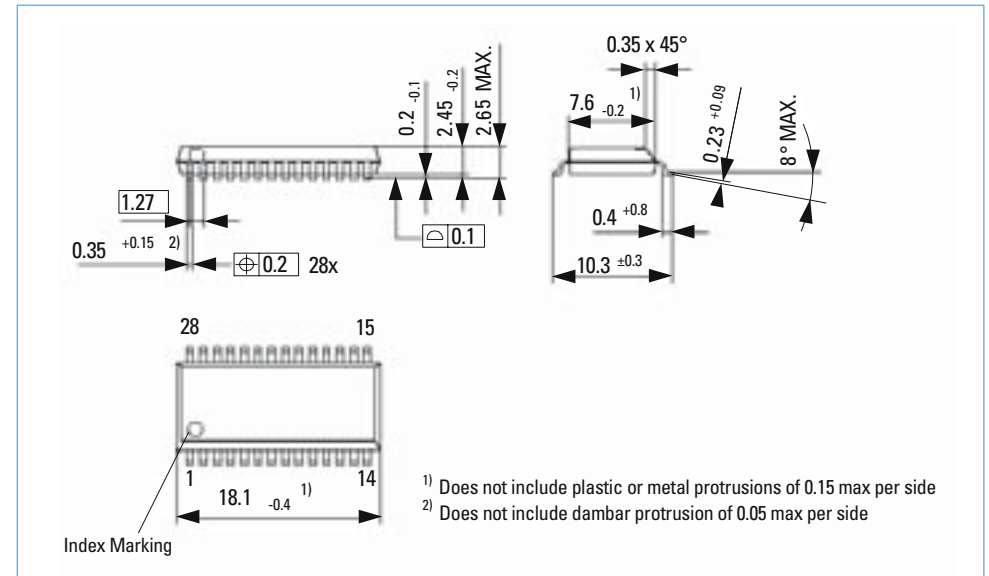
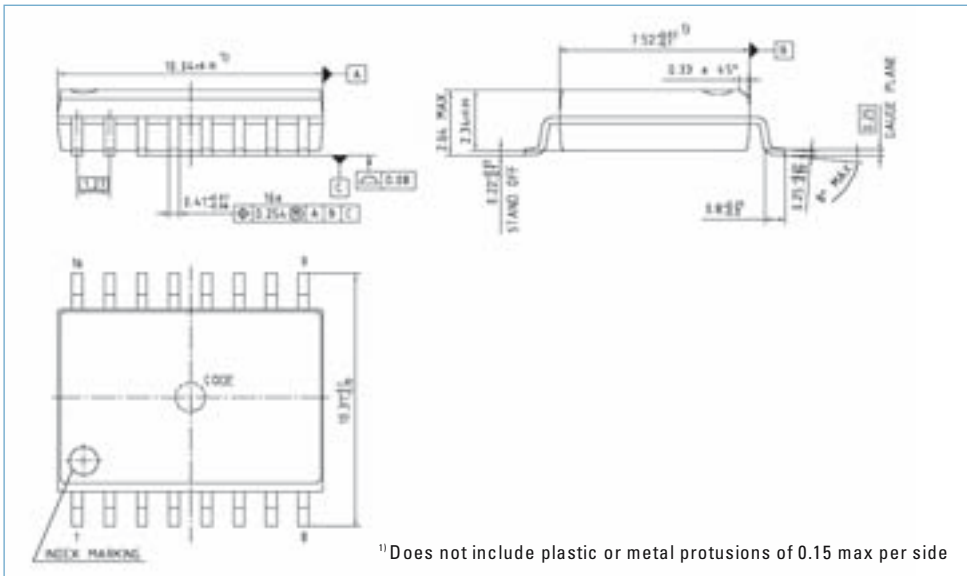
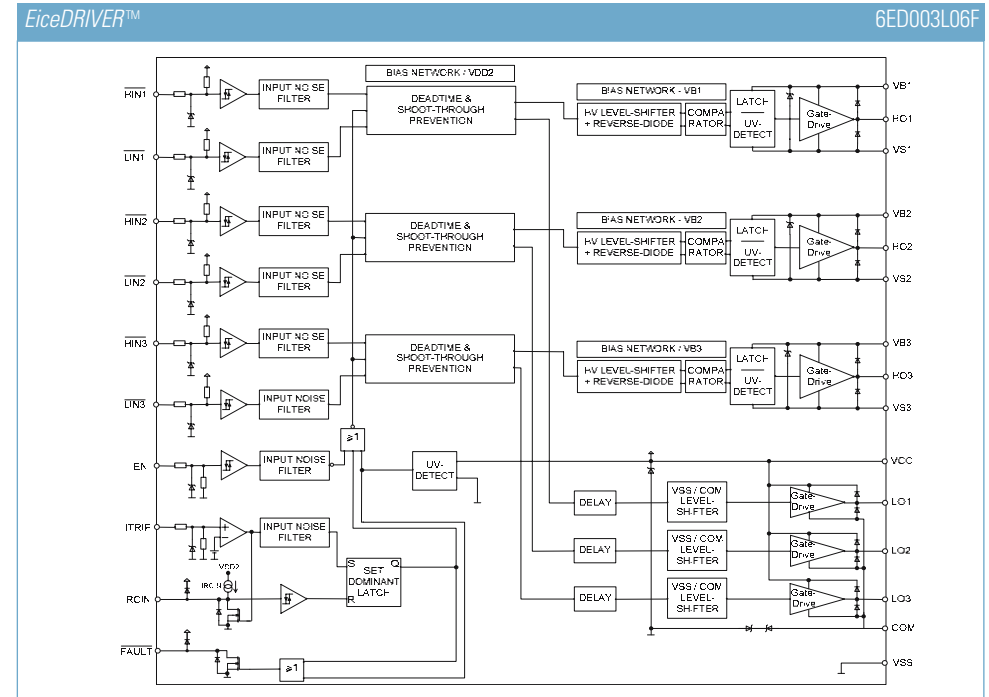
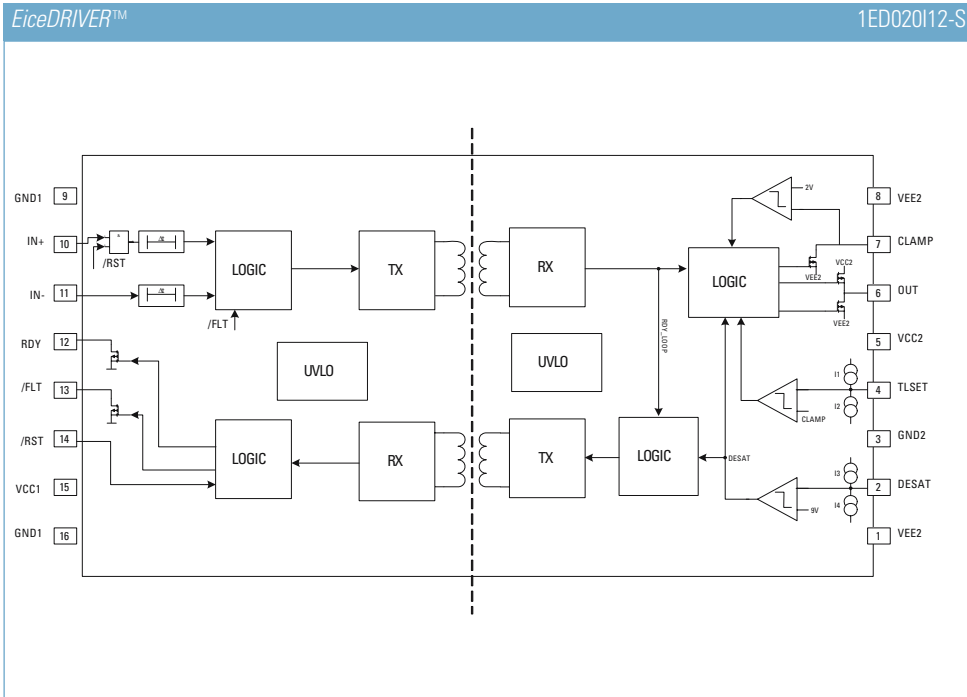
Type	Mat.-No.	clamping force
V100-35.200N	23551	20KN



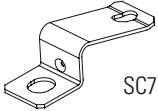


Clearance distance and creep page Primary/Secondary > 15 mm  
 Clearance distance Secondary/Secondary > 6 mm  
 Creep page Secondary/Secondary > 14 mm

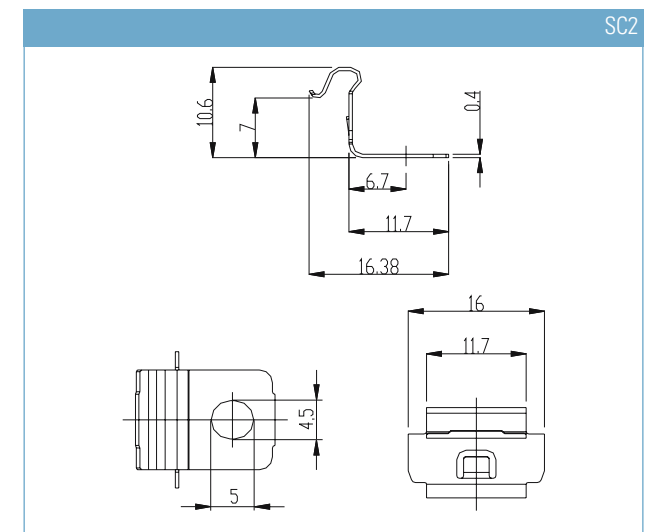
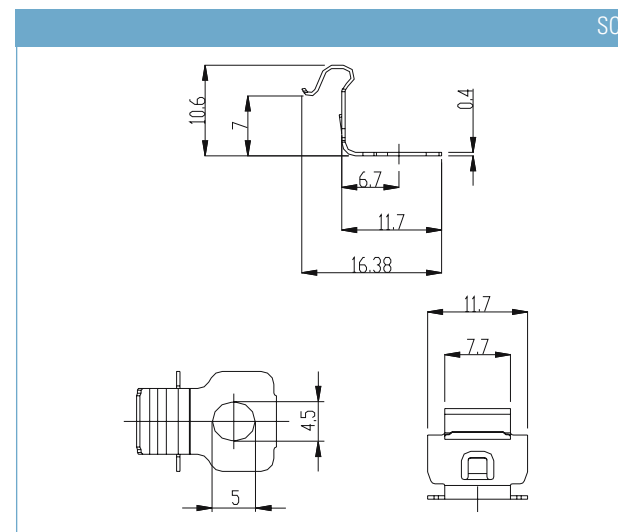
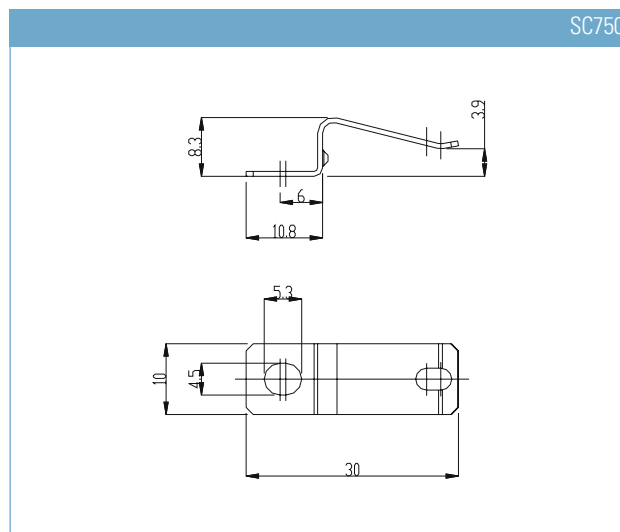
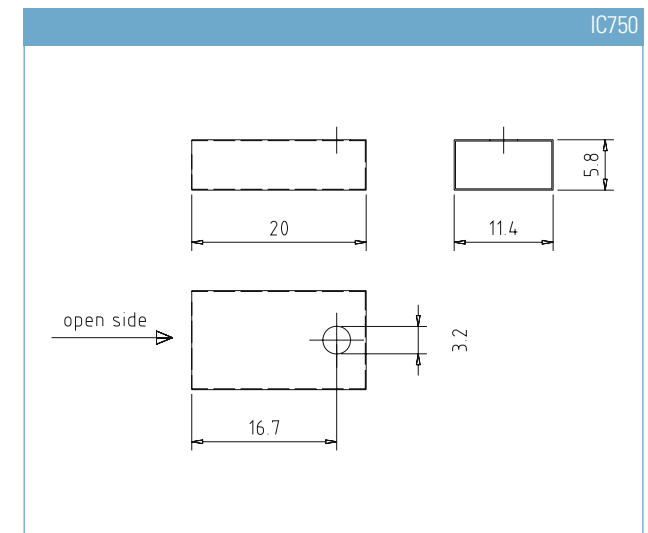


all measures in mm  
 1) Does not include plastic or metal protrusions of 0.15 max. per side  
 2) Does not include dambar protrusion of 0.05 max. per side



# Mounting Hardware for EasyPIM™, EasyPACK, EasyBRIDGE and EasyDUAL Modules

	Suitable for	Type	Outline	Part-No.
 SC750	Easy750 housing	ScrewClamp Easy750	SC750	24126
	Easy750housing	IsolationCap Easy750	IC750	27332
 SC1	Easy1 housing	ScrewClamp Easy1	SC1	23088
 SC2	Easy2 housing	ScrewClamp Easy2	SC2	23089

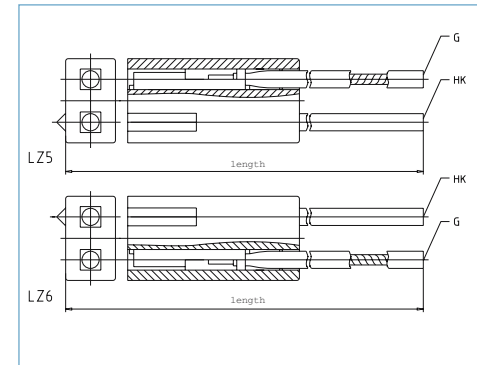


## Gate Leads for PowerBLOCK Thyristor Modules

Gate leads must be ordered separately

Baseplate	connection to	connection to	color	length [mm]	Part.no	Outline
30 mm	5 / 4	G1/HK1	G yellow / HK red	250	28118	LZ 5
	6 / 7	G2/HK2	G yellow / HK red	250	28119	LZ 6
34, 50, 60 mm	5 / 4	G1/K1	G yellow / HK red	250	28128	LZ 5
	6 / 7	G2/K2	G yellow / HK red	250	28129	LZ 6
50 mm Single	5 / 4	G1/K1	G yellow / HK red	250	28128	LZ 5
70 mm	5 / 4	G2/K2	G yellow / HK red	250	28129	LZ6
34, 50, 60 mm	5 / 4	G1/K1	G yellow / HK red	470	28133	LZ 5
	6 / 7	G2/K2	G yellow / HK red	470	28134	LZ 6
50 mm Single	5 / 4	G1/K1	G yellow / HK red	470	28133	LZ 5
70 mm	5 / 4	G2/K2	G yellow / HK red	470	28134	LZ6

lead material: silicon cord type SIFF 0,5mm<sup>2</sup>



# Standard Gate Leads for Disc Type Devices

Leads and gate leads must be ordered separately

Disc outline/page	Material	Mat. no.	Connection	Color	Length mm
T41.14/103	epoxy	2385	HK	red	235 1)
T50.14/103		2386	G	yellow	235
T60.14/103	epoxy	2387	HK	red	235 1)
T75.14/103		2386	G	yellow	235
T57.26/103					
T75.26/103					
T100.26/103					
T100.35/103					
T110.26/104					
T110.35/104					
T60.14/103	epoxy	12511	HK	red	600 2)
T75.14/103		12510	G	yellow	600
T57.26/103					
T75.26/103					
T100.26/103					
T100.35/103					
T110.26/104					
T110.35/104					
T57.26K/104	ceramic	2387	HK	red	235 1)
T58.26K/104		2386	G	yellow	235
T75.26K/104					
T76.26K/104					
T76.35K/104					
T57.26K/104	ceramic	12511	HK	red	600 2)
T58.26K/104		12510	G	yellow	600
T75.26K/104					
T76.26K/104					
T76.35K/104					
T120.26K/105	ceramic	14232	HK	red	1000 2)
T120.35K/105		14231	G	white	1000
T150.26K/105					
T150.35K/105					
T172.35K/105					

1) with plug 6,3 x 1 mm at the free ends – lead material: silicon cord type SiFF 0,5 mm<sup>2</sup>

2) without plug at the free ends – lead material: teflon cord type FEP 0,5 mm<sup>2</sup>

## Clamping Force (kN) and Disc Diameter (mm)

Phase control thyristors			Phase control thyristors			Phase control thyristors			Fast thyristors		
Typ	kN	mm	Typ	kN	mm	Typ	kN	mm	Typ	kN	mm
T 178 N	2,5 - 5	41	T 730 N	18 - 43	75	T 2001 N	36 - 52	120	Fast Thyristors		
T 201 N	7 - 12	58	T 731 N	15 - 24	75	T 2009 N	36 - 52	110			
T 218 N	2,5 - 5	41	T 739 N	15 - 24	75	T 2156 N	42 - 95	110	T 178 F	1,5 - 2,5	41
T 281 N	7-12	58	T 828 N	5,5 - 8	50	T 2159 N	42 - 95	110	T 408 F	5 - 10	50
T 298 N	3 - 6	41	T 829 N	12 - 29	75	T 2160 N	42 - 95	120	T 930 S	16 - 32	74
T 308 N	5 - 10	50	T 860 N	20 - 45	74	T 2161 N	45 - 65	120	T 1052 S	16 - 32	74
T 348 N	2,5 - 5	41	T 869 N	20 - 45	75	T 2351 N	45 - 65	120	T 1078 F	8 - 16	50
T 358 N	4 - 8	41	T 878 N	10,5 - 21	60	T 2401 N	63 - 91	150			
T 378 N	4 - 8	41	T 879 N	10,5 - 21	57	T 2476 N	42 - 95	110			
T 379 N	10,5 - 21	57	T 901 N	15 - 24	75	T 2479 N	42 - 95	110	Fast Asymmetric Thyristors		
T 380 N	7,5 - 17,5	56	T 909 N	15 - 24	75	T 2480 N	42 - 95	120			
T 388 N	5 - 10	50	T 929 N	20 - 45	75	T 2509 N	24 - 56	75	A 158 S	2,5 - 4,5	41
T 398 N	3 - 6	41	T 1039 N	16 - 32	75	T 2563 N/T 2563 NH	90 - 130	170	A 358 S	4,5 - 9	50
T 399 N	7,5 - 17,5	57	T 1049 N	12 - 24	75	T 2709 N	42 - 95	110	A 438 S	4,5 - 9	50
T 458 N	7,5 - 17,5	60	T 1078 N	8 - 16	50	T 2710 N	42 - 95	120			
T 459 N	7,5 - 17,5	57	T 1081 N	36 - 52	120	T 2851 N/T3441 N	63 - 91	150			
T 501 N	15 - 24	75	T 1189 N	16 - 32	75	T 2871 N	90 - 130	120			
T 508 N	5 - 10	50	T 1201 N	36 - 52	120	T 3101 N	63 - 91	150			
T 509 N	5 - 10	57	T 1218 N	20 - 45	75	T 3159 N	42 - 95	110			
T 551 N	15 - 24	75	T 1219 N	20 - 45	75	T 3401 N/T 3801 N	63 - 91	150			
T 553 N	15 - 24	75	T 1258 N	12 - 24	60	T 3441 N	63 - 91	150			
T 568 N	4 - 8	41	T 1329 N	20 - 45	75	T 3709 N	30 - 65	100			
T 571 N	15-24	75	T 1401 N	36 - 52	120	T 3801 N	63 - 91	150			
T 588 N	6 - 12	50	T 1451 N	36 - 52	120	T 4021 N	90 - 130	170			
T 589 N	6 - 12	57	T 1500 N	24 - 56	74	T 4003 N/T 4003 NH	90 - 130	170			
T 618 N	6 - 12	50	T 1503 N/T 1503 NH	63 - 91	150	T 4301 N	63 - 91	150			
T 619 N	6 - 12	57	T 1509 N	24 - 56	75	T 4771 N	63 - 91	150			
T 639 N	9 - 18	57	T 1551 N	36 - 52	120						
T 648 N	9 - 18	50	T 1589 N	30 - 65	100						
T 649 N	9 - 18	57	T 1601 N	36 - 52	120						
T 658 N	10,5 - 21	60	T 1851 N/T 1651 N	45 - 65	120						
T 659 N	10,5 - 21	57	T 1866 N	30 - 65	100						
T 699 N	10,5 - 21	57	T 1869 N	30 - 65	100						
T 708 N	10,5 - 21	60	T 1901 N/T 2251 N	63 - 91	150						
T 709 N	12 - 29	75	T 1929 N	42 - 95	110						
T 718 N	9 - 18	60	T 1971 N	36 - 52	120						
T 719 N	9 - 18	57	T 1986 N	30 - 65	100						
T 729 N	18 - 43	75	T 1989 N	30 - 65	100						



## Clamping Force (kN) and Disc Diameter (mm)

Rectifier diodes			Rectifier diodes			Fast rectifier diodes			Fast rectifier diodes		
Typ	kN	mm	Typ	kN	mm	Typ	kN	mm	Typ	kN	mm
D 269 N	3,2 - 7,6	57	D 6247 N	30 - 45	60	D 138 S	1,7 - 3,4	41	D 1408 S	18 - 50	75
D 428 N	3,2 - 7,6	41	D 8019 N	40 - 80	100	D 178 S	1,7 - 3,4	41	D 1461 S	27 - 45	100
D 448 N	2,6 - 4,6	41	D 8407 N	40 - 60	73	D 188 S	1,7 - 3,4	41	D 1951 SH	55 - 91	150
D 471 N	10 - 16	58				D 228 S	3,2 - 7,6	41	D1961SH	36-52	120
D 660 N	6,1 - 14,7	41				D 238 S	3,2 - 7,6	41			
D 711 N	10 - 16	58				D 291 S	9 - 13	58			
D 748 N	6,1 - 14,7	50	25 DN 06	4 - 8	25	D 348 S	3,2 - 7,6	41			
D 749 N	10 - 24	57	38 DN 06	20 - 30	38	D 358 S	3,2 - 7,6	41			
D 758 N	3,2 - 7,6	41	46 DN 06	30 - 45	46	D 368 S	3,2 - 7,6	41			
D 798 N	6 - 14,7	50	56 DN 06	40 - 60	56	D 371 S	10 - 16	58			
D 849 N	10 - 24	57	65 DN 06	55 - 80	65	D 438 S	4,8 - 11,4	41			
D 850 N	10 - 24	56				D 440 S	4,8 - 11,4	56			
D 1029 N	10 - 24	57				D 509 S	6 - 14,5	57			
D 1030 N	10 - 24	56				D 648 S	6 - 14,5	50			
D 1049 N	10 - 24	57				D 649 S	6 - 14,5	57			
D 1069 N	14 - 34	75				D 658 S	6 - 14,5	50			
D 1481 N	15 - 36	75				D 659 S	6 - 14,5	57			
D 1709 N	12 - 24	75				D 675 S	10 - 24	56			
D 1800 N	24 - 60	74				D 689 S	10 - 24	57			
D 1809 N	24 - 60	75				D 690 S	10 - 24	57			
D 2200 N	24 - 60	74				D 721 S	15 - 36	75			
D 2209 N	24 - 60	75				D 801 S	15 - 36	75			
D 2228 N	12 - 24	60				D 841 S	15 - 36	75			
D 2601 N/D2601 NH	36 - 52	120				D 901 S	27 - 45	100			
D 2650 N	24 - 60	74				D 911 SH	27 - 45	100			
D 2659 N	24 - 60	75				D 921 S	27 - 45	100			
D 2898 N	12 - 24	60				D 931 SH	27 - 45	100			
D 3001 N/D3041N	36 - 52	120				D 1031 SH	27 - 45	100			
D 3501 N	36 - 52	120				D 1131 SH	36 - 52	120			
D 4201 N	36 - 52	120				D 1169 S	18 - 50	75			
D 4457 N	30 - 45	60				D 1170 S	8 - 50	74			
D 4709 N	42 - 95	110				D 1251 S	15 - 36	75			
D 5807 N	40 - 60	72				D 1121 SH	36 - 52	120			
D 5809 N	30 - 60	75				D 1331 SH	36 - 52	120			
D 6001 N	55 - 91	150				D 1381 S	27 - 45	100			

## Letter Symbols/Kurzzeichen

B	DC current gain	Kollektor-Basis-Gleichstromverhltn.	$I_{T(RC)M}$	repetitive turn-on current (from snubber)	periodischer Einschaltstrom (aus RC)
FBSOA	forward biased safe operating area	Sicherer Vorwärts-Arbeitsbereich	$I_{TRMSM}/I_{FRMSM}$	maximum RMS on-state current	Durchlassstrom-Grenzeffektivwert
f	frequency	Frequenz	$I_{TSM}/I_{FSM}$	surge non repetitive on-state current	Stoßstrom-Grenzwert
$f_o$	repetition frequency	Wiederholfrequenz	$I_F^{(max)}$	DC forward current	Dauergleichstrom
F	clamping force	Anpresskraft	$I_{FRM}$	repetitive peak forward current	Periodischer Spitzenstrom
G	weight	Gewicht	$\int i^2 dt$	maximum rated value	Grenzlasterintegral
$I_C$	maximum permissible DC collector current	höchstzulässiger Dauergleichstrom	$di_G/dt$	rate of rise of gate current	Steilheit des Steuerstromes
$I_{CAVM}$	maximum perm. average collector current	Kollektor-Dauergrenzstrom	$di_T/dt/di_F/dt$	rate of rise of on-state current	Steilheit des Durchlassstromes
$I_{CES}$	collector-emitter cut-off current	Kollektor-Emitter-Reststrom	$(di/dt)_{cr}$	critical rate of rise of on-state current	kritische Stromsteilheit
$I_{GES}$	gate-leakage current	Gate-Emitter Reststrom	L	inductance	Induktivität
$I_{EGS}$	gate-leakage current	Emitter-Gate Reststrom	M	tightening torque	Anzugsdrehmoment
$i_{CBO}$	collector-base cut-off current	Kollektor-Basis-Reststrom	$P_{ON}$	turn-on dissipation	Einschaltverlustleistung
$I_{CRM}$	permissible repetitive peak collector current	höchstzulässiger periodischer Kollektor-Spitzenstrom	$P_{OFF}$	turn-off dissipation	Ausschaltverlustleistung
$i_{EBO}$	emitter-base cut-off current	Emitter-Basis-Reststrom	P	power dissipation	Verlustleistung
$i_{FB}$	forward base current	Vorwärts-Basisstrom	$P_D$	forward off-state dissipation	Vorwärts-Sperrverlustleistung
$I_{FB}$	maximum permissible peak forward current	höchstzul. Vorwärts-Basis-Spitzenstrom	$P_G$	gate dissipation	Steuerverlustleistung
$i_{RB}$	reverse base current	Rückwärts-Basisstrom	$P_R$	reverse power dissipation	Rückwärts-Sperrverlustleistung
$I_{RB}$	maximum perm. peak reverse base current	höchstzulässiger Rückwärts-Basis-Spitzenstrom	$P_{RO}$	turn-off dissipation	Ausschaltverlustleistung
$i_D$	forward off-state current	Vorwärts-Sperrstrom	$P_{TT} + P_{RO}$	switching dissipation	Schaltverlustleistung
$i_G$	gate current	Steuerstrom	$P_T/P_F$	on-state power dissipation	Durchlassverlustleistung
$I_{GD}$	gate non trigger current	nicht zündender Steuerstrom	$P_{TAV}/P_{FAV}$	on-state power dissipation (average value)	(arithmetischer Mittelwert)
$i_{GM}$	peak gate current	Spitzensteuerstrom	$P_{TT}$	turn-on dissipation	Einschaltverlustleistung
$I_{GT}$	gate trigger current	Zündstrom	$P_{tot}$	total power dissipation	Gesamtverlustleistung
$I_H$	holding current	Haltestrom	$Q_r$	recovered charge	Sperrverzugsladung
$I_L$	latching current	Einraststrom	$Q_s$	lag charge	Nachaufladung
$i_R$	reverse current	Rückwärts-Sperrstrom	R	resistance	Widerstand
$I_{RMS}$	RMS current	Strom-Effektivwert	$r_T$	slope resistance	Ersatzwiderstand
$I_{RM}$	peak reverse recovery current	Rückstromspitze	$R_{thCA}$	thermal resistance, case to coolant	Wärmewiderstand Gehäuse-Kühlmittel
$i_T/i_F$	on-state current	Durchlassstrom	$R_{thCK}$	thermal resistance, case to heatsink	Übergangs-Wärmewiderstand
$I_{TAV}/I_{FAV}$	on-state current (average value)	Durchlassstrom (Mittelwert)	$R_{thJA}$	thermal resistance, junction to coolant	Gesamtwärmewiderstand
$I_{TAVM}/I_{FAVM}$	maximum average on-state current	Dauergrenzstrom	$R_{thJC}$	thermal resistance, junction to case	innerer Wärmewiderstand
$I_{TINT}/I_{FINT}$	on-state current at intermittent duty	Durchlassstrom bei Aussetzbetrieb	RBSOA	reverse biased safe operating area	Sicherer Rückwärts-Arbeitsbereich
$I_{TM}/I_{FM}$	on-state current (peak value)	Durchlassstrom (Spitzenwert)	t	time	Zeit
$I_{T(OV)}/I_{F(OV)}$	on-state current at shorttime duty	Überstrom bei Kurzzeitbetrieb	T	period	Periodendauer
$I_{T(OVM)}/I_{F(OVM)}$	maximum overload on-state current	Grenzstrom	$T_A$	coolant temperature	Kühlmitteltemperatur
			$T_C$	case temperature	Gehäusetemperatur

# Letter Symbols/Kurzzeichen

$T_{cop}$	operating temperature	Betriebstemperatur	$V_R$	direct reverse voltage	Rückwärts-Gleichsperrspannung
$t_g$	trigger pulse duration	Steuerimpulsdauer	$V_{RG}$	reverse gate voltage	Rückwärts-Steuerspannung
$t_{gd}$	gate controlled delay time	Zündverzug	$V_{RGM}$	peak reverse gate voltage	Rückwärts-Spitzensteuerspannung
$T_h$	heatsink temperature	Kühlkörpertemperatur	$V_{RM}$	reverse voltage (peak value)	Rückwärts-Sperrspannung (Spitzenw.)
$t_p$	current pulse duration (sinusoidal)	Strompulsdauer (Sinusform)	$V_{RMS}, V_{DC}$	RMS or DC voltage value	Bemessungsspannung
$t_q$	circuit commutated turn-off time	Freiwerdezeit	$V_{RRM}$	repetitive reverse voltage	Effektivwert/Gleichspannung
$t_{rr}$	reverse recovery time	Sperrverzugszeit	$V_{RRM(C)}$	repetitive peak reverse voltage after commutation	periodische Rückwärts-Spitzensperrspannung
$T_{vj}$	junction temperature	Sperrschichttemperatur	$V_{RSM}$	non-repetitive peak reverse voltage	periodische Spitzensperrspannung
$T_{vjmax}$	maximum permissible junction temperature	höchstzul. Sperrschichttemperatur	$v_T/V_F$	on-state voltage	nach der Kommutierung
$t_w$	current pulse duration (trapezoidal)	Stromflusszeit (Trapezform)	$V_{(TO)}$	threshold voltage	Rückwärts-Stoßspitzenspannung
$t_f$	fall time	Fallzeit	$V_M$	repetitive peak voltage	Durchlassspannung
$t_{fb min}$	minimum duration of forward base current	Mindestdauer des Vorwärtsbasisstroms	$V_{CE sat}$	collector-emitter saturation emitter voltage	Schleusenspannung
$t_{off}$	turn-off time	Abschaltzeit	$V_{CES}, V_{CE}$	maximum permissible collector-voltage	periodische Spitzensperrspannung
$t_{on}$	turn-on time	Einschaltzeit	$d_{VD}/dt$	rate of rise of forward off-state voltage	Kollektor-Emitter-Sättigungsspannung
$t_s$	storage time	Speicherzeit	$d_{Vr}/dt$	rate of rise of reverse voltage	höchstzulässige Kollektor-Emitter-Sperrspannung
$T_{vj op}$	operating temperature	Betriebstemperatur	$(dv/dt)_{cr}$	critical rate of rise of off-state voltage	Steilheit der Vorwärts-Spannung
$T_{st}$	storage temperature	Lagertemperatur	$V_L$	air quantity	Steilheit der Rückwärts-Spannung
$V_D$	forward off-state voltage	Vorwärts-Sperrspannung	$V_W$	water quantity	kritische Spannungsteilheit
$V_{DM}$	forward off-state voltage (peak value)	Vorwärts-Sperrspanng (Spitzenwert)	$W$	energy	Luftmenge
$V_{DRM}$	repetitive peak forward off-state voltage	periodische Vorwärtsspitzenspannung	$W_{tot}$	total energy	Wassermenge
$V_{DSM}$	non-repetitive peak forward off-state voltage	Vorwärts-Stoßspitzenspannung	$Z_{thCA}$	transient thermal impedance, case to coolant	Verlustenergie
$V_G$	gate voltage	Steuerspannung	$Z_{thJA}$	transient thermal impedance, junction to coolant	Gesamtverlustenergie
$V_{GD}$	gate non trigger voltage	nicht zündende Steuerspannung	$Z_{thJC}$	transient thermal impedance, junction to case	transienter äußerer Wärmewiderstand
$V_{GE(th)}$	gate threshold voltage	Gate-Schwellenspannung	$\Theta$	current conduct. angle	transienter Gesamtwärmewiderstand
$V_{GT}$	gate trigger voltage	Zündspannung			transienter innerer Wärmewiderstand
$V_{ISOL}$	insulation test voltage	Isolat.-Prüfspannung			Stromflusswinkel
$V_L$	no-load voltage of trigger pulse generator	Leerlaufspannung des Steuergenerators			
$V_R$	reverse voltage	Rückwärts-Sperrspannung			

## Type designations

## Presspacks

T 930 S 18 T M C	
T	thyristor
D	diode
A	asymmetric thyristor
930	average on state current (A)
0	standard ceramic disc
1	high power ceramic disc
4	epoxy disc 19 mm high
6	epoxy disc 35 mm high
7	epoxy disc 8 mm high
8	epoxy disc 14 mm high
9	epoxy disc 26 mm high
3	light triggered thyristor, ceramic disc
N	phase control device
K	phase control diode with cathode on case (only flatbase or stud)
F	fast thyristor with central gate
S	fast thyristor with distributed gate, fast diode
U	fast diode with cathode on case (only flatbase or metric)
A	avalanche diode
B	avalanche diode with cathode on case (only flatbase or metric)
NH	Diode: soft recovery for high current pulses Thyristor: high turn-on di/dt capability
SH	softrecovery diode
18	repetitive peak off-state and reverse voltage in 10 <sup>2</sup> V
B	metric thread with cable
C	metric thread with solder pin
E	flat base
T	disc
	turn-off time:
A	8 μs
B	10 μs
C	12 μs
D	15 μs
S	18 μs
E	20 μs
F	25 μs
G	30 μs
K	40 μs

M	50 μs
P	55 μs
N	60 μs
T	80 μs
T 930 S 18 T M C	
U	120 μs
O	no guaranteed turn off time on request
1	on request
2	on request
	critical rate of off-state voltage
B	50 V/μs
C	500 V/μs
F	1000 V/μs
G	1500 V/μs
H	2000 V/μs
	B01...n construction variation
	S01...n electrical selection

## PowerBLOCK Modules

TT 162 N 16 K O F-K	
TT	with 2 thyristors
DD	with 2 diodes
ND, DZ, TZ	with 1 thyristor or 1 diode
TD, DT	with 1 thyristor and 1 diode
AD	with 1 asymmetric thyristor and 1 diode
162	average on state current (A)
N	phase control device
F	fast thyristor with central gate
S	fast thyristor with gate cathode interdigitated, fast diode
16	repetitive peak off-state and reverse voltage in 10 <sup>2</sup> V
K	mechanical construction: module
O	turn off time (see disk devices)
F	critical rate of rise of off-state voltage (see disk devices)
-K	design with common cathode
-A	design with common anode
	B01...n construction variation
	S01...n electrical selection

## IGBT Modules

FF 400 R 33 KF x	example for a High-Power-Module
FZ	single switch with one IGBT and FWD
FF	half bridge (two IGBTs an FWDs)
FP	Power Integrated Module
FM	Matrix Module
FD/DF	chopper module
FB	Integrated modules in B2 configuration with IGBT & NTC
DD	dual diode module
F4	FourPACK
FS	SixPACK
400	max. DC-collector current (A)
R	reverse conducting
S	fast Diode
33	collector-emitter-voltage in 10 <sup>2</sup> V
	mechanical construction: module
F	fast switching type
L	type with low V <sub>CEsat</sub>
S	fast short tail IGBT Chip
E	low sat and fast trench IGBT
T	fast trench IGBT
P	soft switching trench IGBT
1 ... n	internal reference numbers
C	EmCon Diode
D	higher Diode current
-K	design with common cathode
G	module in big housing
I	integrated cooling
B1 ... n	Construction variation
S1 ... n	Electrical selection
BSM 100 GB 120 DL x	example for a standard module
BSM	switch with IGBT and FWD
BYM	diode module
100	max. DC-collector current (A)
GA	single switch with one IGBT and FWD
GB	half bridge (two IGBTs and FWDs)
GD	3 phase full bridge (6-pack)
GT	3 single switches an FWDs (Tripack)
BSM 100 GB 120 DL x	Power Intergrated Module
GP	B6/Break/Inverter

GAL	chopper module (diode on collector side)
GAR	chopper module (diode on emitter side)
A	single diode
120	collector-emitter-voltage in 10 <sup>2</sup> V
DL	Typ with low V <sub>CEsat</sub>
DN2	fast switching type
DLC	low loss type with EmCon Diode
S	with collector sense
G	Design Variation
Exxx	special type

## Bridge Rectifiers and AC-Switches

TD B6 HK 135 N 16 L OF	
DD	diode module
TT	thyristor module
TD	thyristor/diode
B6	three phase bridge
W3	three phase AC-switch
C	fully controlled
H	half controlled
U	uncontrolled
K	common cathode of thyristors
105	output current (A) (W3C: RMS-current)
N	phase control thyristor/diode
16	repetitive peak off-state voltage in 100 V
L	IsoPACK
R	EconoBRIDGE without integr. brake chopper IGBT
RR	EconoBRIDGE with integr. brake chopper IGBT
O	no guaranteed turn-off time
F	critical rate of rise of off-state voltage

# Typenbezeichnungen

## Scheibenbauelemente

T 930 S 18 T M C	
T	Thyristor
D	Diode
A	asymmetrischer Thyristor
930	Dauergrenzstrom (A)
0	Standardkeramik-Scheibe
1	Hochleistungskeramik-Scheibe
4	Epoxy-Scheibe 19mm hoch
6	Epoxy-Scheibe 35mm hoch
7	Epoxy-Scheibe 8mm hoch
8	Epoxy-Scheibe 14mm hoch
9	Epoxy-Scheibe 26mm hoch
3	lichtgezündeter Thyristor, Keramik-Scheibe
N	Netz-Bauelement
K	Netz-Diode mit Kathode am Gehäuse (nur Flachboden oder Gewindebolzen)
F	schneller Thyristor mit Zentralgate
S	schneller Thyristor mit verzweigtem Gate, schnelle Diode mit Aode am Gehäuse
U	schnelle Diode mit Kathode am Gehäuse (nur Flachboden oder Gewindebolzen)
A	Avalanche Diode mit Anode am Gehäuse (nur Flachboden oder Gewindebolzen)
B	Avalanche Diode mit Kathode am Gehäuse (nur Flachboden oder Gewindebolzen)
NH	Diode mit softrecovery Verhalten für hohe Strompulse
SH	Thyristor zum Einschalten von hohen Stromanstiegen
18	Diode mit softrecovery Verhalten periodische Vorwärts- und Rückwärts-Spitzensperrspannung in 10 <sup>2</sup> V
B	mit metrischem Gewinde u. Seil
C	mit metrischem Gewinde u. Lötöse
E	Flachboden
T	Scheibe
	Freiwerdezeit
A	8µs
B	10µs
C	12µs
D	15µs

S	18µs
E	20µs
F	25µs
T 930 S 18 T M C	
G	30µs
K	40µs
M	50µs
P	55µs
N	60µs
T	80µs
U	120µs
0	keine garantierte Freiwerdezeit auf Anfrage
1	auf Anfrage
2	auf Anfrage
	kritische Spannungssteilheit:
B	50V/µs
C	500V/µs
F	1000V/µs
G	1500/µs
H	2000V/µs
B01...n	Konstruktionsvariante
S01...n	elektrische Selektion

## PowerBLOCK Module

TT 162 N 16 K O F-K	
TT	mit 2 Thyristoren
DD	mit 2 Dioden
ND, DZ, TZ	mit 1 Thyristor oder 1 Diode
TD, DT	mit 1 Thyristor und 1 Diode
AD	mit 1 asymmetrischen Thyristor und 1 Diode
162	Dauergrenzstrom (A)
N	Netz-Element
F	schneller Thyristor mit Zentralgate
S	schneller Thyristor mit verzweigtem Gate, schnelle Diode
16	periodische Vorwärts- und Rückwärts-Spitzensperrspannung in 10 <sup>2</sup> V
K	mech. Ausführung: Modul
O	Freiwerdezeit (siehe Scheibenbauelemente)
F	kritische Spannungssteilheit (siehe Scheibenbauelemente)
-K	Ausführung mit gem. Kathode
-A	Ausführung mit gem. Anode
B01...n	Konstruktionsvariante
S01...n	elektrische Sonderspezifikation

## IGBT Module

FF 400 R 33 KF x	Beispiel für ein Hochleistungsmodul
FZ	Einzelschalter mit IGBT und Freilaufdiode
FF	Halbbrücke (zwei IGBT's und Freilaufdioden)
FP	Integriertes Modul mit IGBT, NTC, B6, Chopper
FM	Matrix Module
FD/DF	Choppermodul
FB	Integriertes Modul in B2-Konfiguration mit IGBT & NTC
DD	Doppeldiodenmodul
F4	FourPACK
FS	SixPACK
400	max. Kollektor-Dauergleichstrom (A)
R	rückwärts leitend
S	schnelle Diode
33	Kollektor-Emitter-Sperrspannung in 10 <sup>2</sup> V
	mechanische Ausführung: Modul
K/H/I/M/N/V/X/Y	Modul
F	schnell schaltender Typ
L	Typ mit niedriger v <sub>CEsat</sub>
S	schneller short Tail IGBT Chip
E	trench IGBT mit kleiner Sättigungsspannung und schnell schaltend
T	schneller trench IGBT
P	soft schaltender trench IGBT
1 ... n	interne Referenznummer
C	EmCon Diode
D	größerer Dioden Strom
-K	Design mit common Kathode
G	Modul im größeren Gehäuse
I	mit integrierter Kühlung
B1 ... n	konstruktive Variationen
S1 ... n	elektrische Selektion
BSM 100 GB 120 DL x	Beispiel für ein Standardmodul
BSM	Schalter
BYM	Diodenmodul
100	max. Kollektor-Dauergleichstrom (A)
GA	Einzelschalter mit IGBT und Freilaufdiode
BSM 100 GB 120 DL x	Halbbrücke (zwei IGBTs und Freilaufdioden)
GB	

GD	Vollbrücke
GT	3 Einzelschalter mit IGBT und Freilaufdiode
GP	Integriertes Modul B6/Break/WR
GAL	Choppermodul (Diode kollektorseitig)
GAR	Choppermodul (Diode emitterseitig)
A	Einzeldiode
120	Kollektor-Emitter-Sperrspannung in 10 <sup>1</sup> V
DL	Typ mit niedriger v <sub>CEsat</sub>
DN2	schnell schaltender Typ
DLC	low lost Typ mit EmCon Diode
S	mit Hilfskollektor
G	Design Variation
Exxx	Sondertyp

## Brückengleichrichter und Drehstromsteller

TD B6 H K 135 N 16 L O F	
DD	Dioden-Modul
TT	Thyristor-Modul
TD	Thyristor/Dioden-Modul
B6	Sechspuls-Brücke
W3	Dreiphasen-Wechselweg
C	vollgesteuert
H	halbgesteuert
U	ungesteuert
K	gemeins. Kathode der Thyristoren
135	Ausgangsstrom (A) (W3C: Effektivstrom)
N	Netzthyristor/Diode
16	periodische Spitzensperrspannung in 100 V
L	IsoPACK
R	EconoBRIDGE ohne integr. Bremschopper IGBT
RR	EconoBRIDGE mit integr. Bremschopper IGBT
O	keine garantierte Freiwerdezeit
F	kritische Spannungssteilheit

## Package Units Bipolar Products

Standard Thyristors and Diodes	Housing Diameter	Packing Unit
Standard Epoxy Discs	Diode Housing 100mm	3
	Diode Housing 110mm	2
	Diode Housing 41mm	16
	Diode Housing 50mm	10
	Diode Housing 57mm	3
	Diode Housing 60mm	6
	Diode Housing 72mm	6
	Diode Housing 75mm	2
	Thyristor Housing 50mm	10
	Thyristor Housing 57mm	3
	Thyristor Housing 75mm	2
	Thyristor Housing 100mm	3
Thyristor Housing 110mm	2	
Standard Ceramic Discs	Diode Housing 41mm	16
	Diode Housing 56mm	3
	Diode Housing 58mm	3
	Diode Housing 74mm	2
	Thyristor Housing 120mm	2
	Thyristor Housing 56mm	3
Thyristor Housing 74mm	2	
Flatbase / Metric Types	Flatbase 36mm	10
	Flatbase 54mm	5
	Metric Wrench Size 27mm	10
	Metric Wrench Size 32mm	10
Metric Wrench Size 42mm	5	

	Housing Diameter	Packing Unit
PowerBLOCK	PB20 20mm	10
	PB25 25mm	8
	PB30 30mm	4
	PB34 34mm	5
	PB50 50mm	6
	PB50.1 50mm	2
	PB60 60mm	4
	PB70 70mm	2

High Power Thyristors and Diodes	Housing Diameter	Packing Unit
Ceramic ETT Discs	Thyristor Housing 57mm	3
	Thyristor Housing 75mm	2
	Thyristor Housing 120mm	2
	Thyristor Housing 150mm	1
Ceramic LTT Discs	Thyristor Housing 170mm	1
	Thyristor Housing 75mm	3
	Thyristor Housing 150mm	1
Ceramic Diodes	Thyristor Housing 170mm	1
	Diode Housing 58mm	3
	Diode Housing 74mm	2
	Diode Housing 100mm	3
	Diode Housing 120mm	2
Diode Housing 150mm	1	

Rectifier Modules	Housing Width	Packing Unit
IsoPACK™ Bridge	42mm	4
	54mm	3
EconoBRIDGE™ Rectifier	45mm	10
EasyBRIDGE 750	25,4mm x 35,6 mm	40
EasyBRIDGE 1	33 mm x 45,6 mm	20
EasyBRIDGE 2	45,6 mm x 55,9 mm	20

## Package Units IGBT Low Power Modules

EasyPIM™ Modules	Housing Size (overall)	Packing Unit
EasyPIM™ 750	25,4mm x 35,6mm	40
EasyPIM™ 1	33,0mm x 45,6mm	20
EasyPIM™ 1B	33,8mm x 48,0mm	24
EasyPIM™ 2	45,6mm x 55,9mm	20
EasyPIM™ 2B	48,0mm x 56,7mm	15

EasyPACK Modules	Housing Size (overall)	Packing Unit
EasyPACK™ 750	25,4mm x 35,6mm	40
EasyPACK™ 1	33,0mm x 45,6mm	20
EasyPACK™ 1B	33,8mm x 48,0mm	24
EasyPACK™ 2	45,6mm x 55,9mm	20
EasyPACK™ 2B	48,0mm x 56,7mm	15

EasyDUAL Modules	Housing Size (overall)	Packing Unit
EasyDUAL 2	45,6mm x 55,9mm	20

## IGBT Medium Power Modules

EconoPIM™ Modules	Housing Size (overall)	Packing Unit
EconoPIM™ 1	41,0mm x 81,0mm	16
EconoPIM™ 2	45,0mm x 107,0mm	10
EconoPIM™ 3	62,0mm x 122,0mm	10

EconoPACK™ Modules	Housing Size (overall)	Packing Unit
EconoPACK™ 1	41,0mm x 81,0mm	16
EconoPACK™ 2	45,0mm x 107,0mm	10
EconoPACK™ 3	62,0mm x 122,0mm	10

34mm Modules, 62mm Modules	Housing Size (overall)	Packing Unit
Standard 34mm	34,0mm x 94,0mm	10
Standard 62mm	62,0mm x 106,4mm	10

EconoPACK™+, EconoDUAL™	Housing Size (overall)	Packing Unit
EconoPACK™+	162,0mm x 150,0mm	4
EconoDUAL™ 2	45,0mm x 122,0mm	14
EconoDUAL™ 3	62,0mm x 152,0mm	10

## IGBT High Power Modules

IHM Modules	Housing Size (overall)	Packing Unit
IHM 73	73,0mm x 140,0mm	4
IHM 130	130,0mm x 140,0mm	2
IHM B 130	130,0mm x 140,0mm	2
IHM190	190,0mm x 140,0mm	1
IHM B 190	190,0mm x 140,0mm	1

IHV Modules	Housing Size (overall)	Packing Unit
IHV 73	73,0mm x 140,0mm	4
IHV 130	130,0mm x 140,0mm	2
IHV 190	190,0mm x 140,0mm	1
IHV B 130	130,0mm x 140,0mm	2
IHV B 190	190,0mm x 140,0mm	1

PrimePACK™ Modules	Housing Size (overall)	Packing Unit
PP2	89,0mm x 172,0mm	3
PP3	89,0mm x 250,0mm	2



## Business Excellence due to Quality Management

In quality and reliability of our innovative products and services for power electronics we are a worldwide leading company.

We have developed and introduced a quality management which continuously supervises the stability and the performance of our production and business progresses. The qualification of our innovative products and services with the most progressive quality tools contributes effectively and efficiently to a positive business development.

Our quality management is permanently brought in line with the requests and expectations of our customers, partners and employees. The base are the standards DIN EN ISO 9001:2000 and the ISO/TS 16949, which includes the requirements of the automobile industry. In addition to this standards we use the EFQM-Model for Business Excellence and the SIX SIGMA methodology to force the continual improvement of our company.

Our competent and qualified employees are motivated to fulfill the requests and wishes of our customers to their highest satisfaction at all times.



## Environmental and safety management

By the use of our products, the consumption of electrical energy can be reduced. Following from this, we also during our parts' manufacturing put focus on environmental protection and economical use of natural resources. Our means aiming at environmentally friendly organisation cover all production flows and the whole product range.

Our efforts regarding environmental protection are accompanied by our activities concerning accident control and health protection of our employees. By anticipatory protection- and training courses we meet the high responsibility for our employees.

We consider the consistent implementation of environmental protection, health protection, and operational safety as a main factor for our company's continued success and monitor progress in these areas regularly, evaluate the results, and set new focus points and targets.

Our environmental management is certified as per DIN EN ISO 14001, our safety management as per OSHAS 18001.



## Qualitätsmanagement

Qualität und Zuverlässigkeit unserer innovativen Produkte und Leistungen für die Leistungselektronik sind weltweit führend.

Wir haben ein Qualitätsmanagement entwickelt und eingeführt, das die Stabilität und die Leistung unserer Fertigungs- und Geschäftsprozesse kontinuierlich überwacht, unsere innovativen Produkte und Leistungen mit den fortschrittlichsten Qualitätswerkzeugen qualifiziert und in seiner effektiven und effizienten Umsetzung seinen Beitrag zu einer positiven Geschäftsentwicklung leistet.

Unser Qualitätsmanagement wird ständig den Anforderungen und Erwartungen unserer Kunden, Partner und Mitarbeiter angepasst und kontinuierlich verbessert. Grundlage dafür bilden die Normen

DIN EN ISO 9001:2000 sowie die ISO/TS 16949, welche die Forderungen der Automobilindustrie beinhalten. Weiterhin nutzen wir das EFQM-Modell für Business Excellence sowie die SIX SIGMA Systematik, um die ständige Verbesserung unseres Unternehmens zu unterstützen.

Unsere kompetenten Mitarbeiter sind qualifiziert und motiviert die Anforderungen und Wünsche unserer Kunden immer zur höchsten Zufriedenheit aller zu erfüllen.

## Umwelt- und Arbeitssicherheitsmanagement

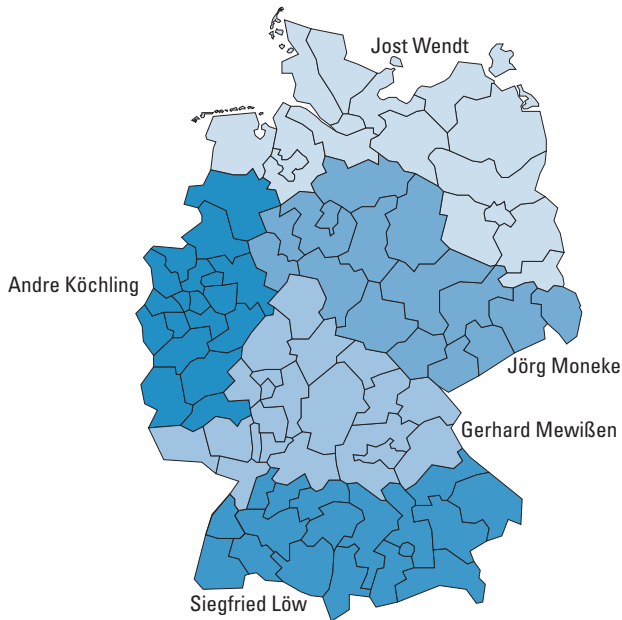
Der Einsatz unserer Produkte ermöglicht die Einsparung von elektrischer Energie. Konsequenterweise fühlen wir uns auch bei der Herstellung unserer Produkte zur Schonung der Umwelt und der natürlichen Ressourcen verpflichtet. Unsere Maßnahmen zur umweltgerechten Gestaltung umfassen die Produktionsabläufe sowie die gesamte Produktpalette.

Hand in Hand mit den Anstrengungen im Umweltschutz gehen unsere Maßnahmen zur Unfallverhütung und zum Gesundheitsschutz unserer Mitarbeiter. Mit vorausschauenden Schutz- und Schulungsprogrammen werden wir unserer hohen Verantwortung gegenüber unseren Mitarbeitern gerecht.

Wir sehen in der konsequenten Verwirklichung von Umweltschutz, Gesundheitsschutz und Arbeitssicherheit eine wesentliche Basis für den kontinuierlichen Erfolg unseres Unternehmens und überprüfen deshalb regelmäßig unsere Fortschritte in diesen Bereichen, bewerten das Erreichte und setzen uns neue Schwerpunkte und Ziele.

Unser Umweltmanagementsystem ist nach DIN EN ISO 14001 und unser Arbeitsschutzmanagementsystem nach OSHAS 18001 zertifiziert.





## Germany

### Infiniteon Technologies AG

Industrial Sales  
Max-Planck-Str. 5  
59581 Warstein/Deutschland  
Phone 02902 764-0  
Fax 02902 764-1167

### Regional Offices

#### Vertriebsbüro Mitte-Nord

Jörg Moneke  
Burgfeld 12  
D-37130 Gleichen-Klein Lengden  
Phone 05508 974445  
Fax 05508 974447  
Mobile 0170 2267265  
joerg.moneke@infineon.com

#### Vertriebsbüro West

Andre Köchling  
Max-Planck-Str. 5  
D-59581 Warstein  
Phone 02902 764-1178  
Fax 02902 764-71178  
Mobile 0151 1426452  
andre.koechling@infineon.com

#### Vertriebsbüro Mitte-Süd

Gerhard Mewißen  
Am Schützenrain 63  
D-64354 Reinheim-Ueberau  
Phone 06162 4132  
Fax 06162 4133  
Mobile 0171 2136243  
gerhard.mewissen@infineon.com

#### Vertriebsbüro Nord

Jost Wendt  
Zum Dicken Busch 37  
D-22885 Barsbüttel-Hamburg  
Phone 040 67044592  
Fax 040 67044593  
Mobile 0175 2981581  
jost.wendt@infineon.com

#### Vertriebsbüro Süd

Siegfried Löw  
Brunnweiher 9  
D-71116 Gärtringen  
Phone 07034 26665  
Fax 07034 26907  
Mobile 0171 2136388  
siegfried.loew@infineon.com

### EBV Regional Offices

D-12277 Berlin-Mariendorf  
Kitzingstr. 15 - 19  
Phone 030 747005-0  
Fax 030 747005-55

D-30938 Burgwedel  
In der Meineworth 21  
Phone 05139 8087-0  
Fax 05139 8087-70

D-41564 Kaarst  
An der Gümpegsbrücke 7  
Phone 02131 9677-0  
Fax 02131 9677-30

D-71229 Leonberg  
Neue Ramtelstraße 4  
Phone 07152 3009-0  
Fax 07152 75958

D-07806 Neustadt/Orla  
Zum Mühlenberg 9  
Phone 036481 244-0  
Fax 036481 244-99

D-85586 Poing  
Im Technologiepark 2-8  
Phone 08121 774-0  
Fax 08121 774-422

D-78050 VS-Villingen  
Kaiserring 12  
Phone 07721 99857-0  
Phone 07721 99857-70

D-65205 Wiesbaden  
Borsigstraße 36  
Phone 06122 8088-0  
Fax 06122 8088-99

### Austria

Infiniteon Technologies Austria AG  
Roman Bulant  
Operngasse 20 B  
A 1040 Wien  
Phone +43 15877070-333  
Fax +43 15877070-500  
Mobile +43 676 5792003  
Roman.Bulant@Infineon.com

### EBV Regional Office

A-1150 Wien  
Diefenbachgasse 35/1  
Phone +43 18 91 52-0  
Fax +43 18 91 52-30

### Belgium

See Industrial Sales France

### EBV Regional Office

B-1831 Diegem  
Kouterveldstraat 20  
Phone +32 27 160010  
Fax +32 27 208152

### Czech Republic/ Slovak Republic

Vladimir Zizek  
Uslavska 75  
326 00 Plzen  
Phone +420-377-473715  
Fax +420-377-471876  
Mobile +420-736-538133  
Vladimir.Zizek@volny.cz

### EBV Regional Office

CZ-170 00 Praha 7  
Argentinská 38/286  
Tel. +420-234 091 011  
Fax +420-234 091 010

### Denmark

Hans Buch AS  
Alex Vittrup  
Roskildevej 8-10  
DK -2620 Albertslund  
Phone +45 436850-21  
Fax +45 436850-56  
Mobil: +45 40703382  
av@hansbuch.dk

### EBV Regional Offices

EE-10621 Tallinn  
Laki 12  
Phone +372 683 38-66  
Fax +372 683 38-70  
Cell. +372 513 2232

DK-8230 Åbyhøj  
Ved Lunden 9  
Phone +45 8625 0466  
Fax +45 8625 0660

DK-2860 Søborg  
Rosenkæret 11 C  
Phone +45 3969 05-11  
Fax +45 3969 05-04

### France

Infiniteon Technologies France S.A.S  
Industrial Sales  
Daniel Schueffenecker  
2 ter, rue Marcel DORET  
Burolines II  
F-31700 BLAGNAC  
Phone +33 53455 1330  
Fax +33 53455 1334  
www.infineon.com

Sorelec SA  
BP 89  
9 avenue des Peupliers  
35512 Cesson-Sévigné Cedex  
Phone +33 299834567  
Fax +33 299833969

### EBV Regional Offices

F-13854 Aix-en-Provence  
115, Rue Nicolas Ledoux  
Immeuble Hemiris, Bâtiment A,  
Phone +33 442 3965-40  
Fax +33 442 3965-50

F-92184 Antony Cedex (Paris)  
3, rue de la Renaissance  
Phone +33 140 9630-00  
Fax +33 140 9630-30

F-35510 Cesson Sévigné (Rennes)  
29, av. des Peupliers  
Phone +33 299 8300-50  
Fax +33 299 8300-60

F-67400 Illkirch Graffenstaden  
Rue Gruninger  
Parc d'innovation d' Illkirch  
Phone +33 3 90405969  
Fax +33 3 88651125

F-31673 Labège Cedex (Toulouse)  
Immeuble Actys B2, voie 3,  
BP17316  
Phone +33 561 0084-61  
Fax +33 561 0084-74

F-69693 Venissieux (Lyon)  
Parc Club du Moulin à Vent  
33, Av. du Dr. Georges Lévy  
Phone +33 472 780278  
Fax +33 478 008081

### Great Britain

Infiniteon Technologies U.K. Ltd.  
Dave Stocks  
Hunts Ground Road  
BS34 8HP Bristol  
UK  
Phone +44 113 3930361  
Fax +44 113 3930361  
dave.stocks@infineon.com

Power Semiconductors Ltd.  
Caxton Centre  
Porters Wood  
Valley Road  
GB-St. Albans Herts AL3 6XT  
Phone +44 17278111-10  
Fax +44 17278111-12  
info@powersemiconductors.co.uk

### EBV Regional Offices

South East  
Thames House  
17 Marlow Road  
Maidenhead  
Berkshire, SL6 7AA  
Phone +44 16 28770707  
Fax +44 16 28783811

South West & Wales  
12 Interface Business Park  
Bincknoll Lane  
Wootton Bassett  
Wiltshire, SN4 8SY  
Phone +44 17 938-49933  
Fax +44 17 938-59555

North  
Manchester International  
Office Centre, Suite 5B  
Styal Road  
Manchester, M22 5WB  
Phone +44 16 149934-14  
Fax +44 16 149934-74

Scotland  
144 West George Street  
Glasgow, G2 2HG  
Phone +44 14 135220-50  
Fax +44 14 135220-59

### Greece

see Infineon Technologies AG  
Industrial Sales

### EBV Regional Office

GR-17778 Tavros  
Anaxagora Str. 1  
Phone +30 210 3414-300  
Fax +30 210 3414-304

### Hungaria

### EBV Regional Office

H-1037 Budapest  
Montevideo u. 2/B  
Phone +36 1 43672-29  
Fax +36 1 43672-20

### Ireland

### EBV Regional Office

IRL-Dublin 12  
Ballymount Trading Estate  
Ballymount Road  
Walkinstown  
Phone +353 1456 4034  
Fax +353 1456 4035

### Italy

Infineon Technologies Italia S.r.l.  
Industrial Sales  
Mr. Renzo Verzaro  
Via Vipiteno 4  
I-20128 Milano  
Phone +39 0 2252044448  
Fax +39 0 2252044033  
Renzo.Verzaro@infineon.com

COMELEC srl  
Corso Torino 87/D  
10090 Ferriera di Buttigliera alta  
(TO) Italy  
Phone +39 011 9367757  
Fax +39 011 9366486  
www.comelec.it, info@comelec.it

### EBV Regional Offices

I-20092 Cinisello, Balsamo (MI)  
Via C. Frova, 34  
Phone +39 02 66096290  
Fax +39 02 66017020

I-41010 Cognento (MO)  
Via Campagna, 12  
Phone +39 059 2924/211  
Fax +39 059 2929/486

I-50127 Firenze  
Via Panciatici, 40  
Palazzo 11  
Phone +39 05 54369307  
Fax +39 05 54265240

I-80128 Napoli (NA)  
Via G. Capaldo, 10  
Tel. +39 081 579 97 70  
Fax +39 081 579 97 70  
Cell. +39 335 8 39 05 31

I-00155 Roma  
Viale Palmiro Togliatti 1639  
Phone +39 064 063665/789  
Fax +39 064 063777

I-35030 Sarmeola di Rubano (PD)  
Piazza Adelaide Lonigo, 8/11  
Phone +39 049 8974701  
Fax +39 049 8974726

I-10156 Torino  
Corso Vercelli, 348  
Phone +39 011 2625690  
Fax +39 011 2625691

### Netherlands

See Industrial Sales France

### EBV Regional Office

NL-3606 AK Maarssenbroek  
Planetenbaan 116  
Phone +31 346 5830-10  
Fax +31 346 5830-25

### Poland

ITC-Electronics  
Mr. Piotr Papke  
Glogauer Str.8  
D-31061 Alfeld  
Phone +49 5181 8066-61  
Fax +49 5181 8066-89  
papke@itc-electronics.de

### EBV Regional Offices

PL-02-672 Warszawa  
ul. Woloska 18  
Phone +48 22 64023-55  
Fax +48 22 64023-56

PL-50-062 Wroclaw  
Pl. Solny 16  
Phone +48 71 34229-44  
Fax +48 71 34229-10

### Russia/Ukraine/GUS

INTECH electronics GmbH  
125445 Moskau  
Usievicha 24/2  
Phone +7 0957975545/35  
Fax +7 0954518608  
intech@aha.ru

INTECH Ukraine  
02002 Kiev, Ukraine  
Mariny Raskovoi ul. 13, office 910  
PO Box 294  
Phone +38 0445165444  
Fax +38 0445165444  
info@intech.com.ua

ITC Moscow  
Russia, 105066 Moscow  
35, Nishnaya Krasnoselskaya  
moscow@itc-electronics.com  
Phone +7 4953639575  
Fax +7 4953639125

ITC Electronics  
Saint Petersburg  
14, Nab.Obvodnogo Canala  
Phone +7 8127030006  
Fax +7 8127030006  
spb@itc-electronics.com

ITC Novosibirsk  
Russia, 630091 Novosibirsk  
Krasniy Prospekt 82/1  
nsk@itc-electronics.com  
Phone +7 3832277888  
Fax +7 3833356930

ITC Ekaterinburg  
Russia, 620014 Ekaterinburg  
Vainera str. 55/B  
ural@itc-electronics.com  
Phone +7 3433787790  
Fax +7 3432575396

ITC Ukraine, Kiev  
Ukraine, 02160 Kiev  
7a, Prospect Vossoedineniya  
office 107  
kiev@itc-electronics.com  
Phone +38 044596890  
Fax +38 0445011303

ITC Kazakhstan, Almaty  
Kazakhstan, 480008 Almaty  
162 g, Shevchenko street,  
almaty@itc-electronics.com  
Phone +7 3272686514  
Fax +7 3272686614

### EBV Regional Offices

RUS-127486 Moscow  
Korovinskoye Shosse 10,  
Build 2, Off.28  
Phone +7 495 93787-07  
Fax +7 495 93787-06

UA-03040 Kiev  
Vasilovskaya str. 14  
off. 422-423  
Phone +380 44 49622-26  
Fax +380 44 49622-28

### Spain/Portugal

SIEMENS S.A.  
Carmen Trasobares  
Ronda de Europa 5  
28760 Tres Cantos – Madrid – Spain  
Phone +34 91 5144506  
Fax +34 91 5147014  
Mobile +34 607 078949  
carmen.trasobares@siemens.com

### EBV Regional Offices

E-08950 Esplugues de Llobregat  
(Barcelona)  
Antón Fortuny 14-16 Esc.C 3º 2a  
Phone +34 93 4733200  
Fax +34 93 4736389

E-28760 Tres Cantos (Madrid)  
Centro Empresarial Euronova  
C/Ronda de Poniente, 4  
Phone +34 91 8043256  
Fax +34 91 8044103

### Sweden/Finland/Norway

Infineon Technologies Sweden AB  
Tommy Andersson  
Isafjordsgatan 16  
S-16481 Kista  
Phone +46 8 757 4107  
Fax +46 8 757 4919  
Tommy.Andersson@infineon.com

### EBV Regional Offices

S-21 235 Malmö  
Derbyvägen 20  
Phone +46 40 5921-00  
Fax +46 40 5921-01

S-19 272 Sollentuna  
Sjöängsvägen 7  
Phone +46 859 4702-30  
Fax +46 859 4702-31

FIN-02240 Espoo  
Pihatörmä 1 a  
Phone +358 927 052790  
Fax +358 927 095498

FIN-90100 Oulu  
Nahkatehtaankatu 2  
Phone +358 85 6249-10  
Fax +358 85 6249-18

Postboks 101, Manglerud  
Ryensvingen 3B  
N-0680 Oslo  
Phone +47 22 6717-80  
Fax +47 22 6717-89

### Switzerland

Infineon Technologies Switzerland AG  
Thomas Schankat  
Badenerstrasse 623  
8048 Zuerich  
Phone +41 44 4978043  
Fax +41 44 4978050  
Thomas.Schankat@infineon.com

### EBV Regional Offices

CH-8953 Dietikon  
Bernstrasse 394  
Phone +41 44 74561-61  
Fax +41 44 74561-00

CH-1010 Lausanne  
Av. des Boveresses 52  
Phone +41 216 5401-01  
Fax +41 216 5401-08

### Turkey

see Infineon Technologies AG  
Headquarter

### EBV Regional Offices

TR-34742 Istanbul  
Perdemsaç Plaza  
Bayar Cad. Gülbahar  
Sok. No: 17, D: 134 Kozyatagi  
Phone +90 21 646313-52  
Fax +90 21 646313-55

## America

### USA

Headquarters  
Infineon Technologies  
Industrial Power, Inc.  
1050 Route 22  
Lebanon, NJ, 08833  
Phone +1 908 236-5600  
Fax +1 908 236-5620  
Info.usa@Infineon.com

### Regional Offices

#### Eastern Region

Infineon Technologies  
Industrial Power, Inc.  
P.O. Box 187  
Concord, MA 01742-0187  
Phone +1 781 275-9016  
Jerry.Gallagher@Infineon.com

#### Central Region

Infineon Technologies  
Industrial Power, Inc.  
165 St James Circle  
Union Grove, WI 53182  
Phone +1 262-878-9898  
Fax +1 262-878-2898  
Neil.Perkins@Infineon.com  
William.Tennie@Infineon.com

Infineon Technologies  
Industrial Power, Inc.  
21175 Tomball Pkwy  
PMB 710  
Houston, TX 77070  
Phone +1 281-37-47622  
Fax +1 281-374-7621  
Dorel.Ciornei@Infineon.com

#### Western Region

Infineon Technologies  
Industrial Power, Inc.  
7829 Center Blvd. SE  
Suite 162  
Snoqualmie, WA 98065  
Phone +1 425 396-5060  
Fax +1 425 396-5061  
Dwight.Harvey@Infineon.com

## Latin America

Please contact:  
Infineon Technologies  
Industrial Power, Inc.  
in Lebanon, NJ  
Info.usa@Infineon.com

### Canada

Please contact:  
Infineon Technologies  
Industrial Power, Inc.  
in Lebanon, NJ  
Info.usa@Infineon.com

### Africa

#### South African Republic

The Components Group PTY Ltd.  
91, Silverstone Crescent,  
Kyalami Business Park, Kyalami  
1685 Midrand, South Africa  
Phone +27 11 466-1828  
Fax +27 11 466-1878

#### Australia / New Zealand

Infineon Technologies Australia Pty.  
Ltd.  
Con Tsaousidis  
885 Mountain Highway  
Bayswater, Victoria 3153  
Melbourne Australia  
con.tsaousidis@infineon.com

### Victoria

Fastron Technologies PTY. Ltd.  
Mr. Mike Trubridge  
25 Kingsley Close  
3178 Rowville, VIC  
Victoria 3178, Australia  
Phone +61 39763-5155  
Fax +61 39763-5166

## Asia

### Asean

Sales  
Infineon Technologies AP Pte. Ltd.  
Derrick Lee  
8 Kallang Sector  
Singapore 349282  
Phone +65 6876 3109  
Fax +65 6876 2864  
derrick.lee@infineon.com

Achieva Components Pte. Ltd.  
Gary Oh  
240 Macpherson Road  
#02-03, Pines Industrial Bldg  
Singapore 348574  
Fax +65 67476880  
garyoh@achieva.com.sg

### Korea

#### Seoul

Infineon Technologies Korea Co. Ltd.  
Hong Sung Il  
4th Floor, Sigma Tower 7-19  
Shincheon-dong, Songpa-gu  
Seoul Korea 138-734  
Fax +82 234600901  
Sung-Il.Hong@Infineon.com

DABO Industrial Systems Co. Ltd.  
Kim Chang-Soo  
Rm 909, DaeRung TechnoTown-3rd  
448, KaSan-Dong, KumChon-Gu  
Seoul, Korea  
Fax +82221073328  
support@dabois.com

### China

#### Hong Kong

Infineon Technologies HK Ltd.  
Ma Kwok Wai  
Suite 302 Level 3  
Festival Walk, 80 Tat Chee Avenue  
Kowloon Tong, HongKong  
Fax +852 2832 20615  
Kwokwai.ma@infineon.com

## Shenzhen

Eurotone Electric Ltd  
Bernard Yuen  
Room 401, Tianan Hi-Tech  
Plaza Tower A Tianan Cyber  
Park, Futian, Shenzhen, China  
Fax: +86 75583438233  
bernard@etpec.com

## Shanghai

Infineon Technologies International  
Trade (Shanghai) Co. Ltd.  
Simon Chen  
No. 8, Lane 647, SongTao Road,  
ZhangJiang Hi-Tech Park, Pudong,  
Shanghai 201203, P.R.China.  
Fax +8621 61019420  
Simon.Chen@infineon.com

## Beijing

Beijing Jingchuan Electronic  
Technology Development Co. Ltd.  
Zhou Wen Ding  
RM1803, Tower A, Bldg.20  
Area 1, Fangchengyuan Fangzhuang  
Beijing, China P.C.100078  
Fax: +86 1087639588  
jingchuan@a-1.net.cn

## India

### Bangalore

Infineon Technologies India Pvt. Ltd.  
Padmanabha Gowda  
10th Floor, Discover Building  
International Tech Park  
Whitefield Road  
Bangalore 560066, India  
Fax +91 8051392333  
Padmanabha.Gowda@infineon.com

Arihant Electricals  
Rajesh Kumar  
24/4866, Ansari Road, Darya Ganj,  
New Delhi - 110002  
Fax +91 232 73554  
Rajesh@arihantelectricals.com

Ingram Micro Electronics  
Umesh Khandelwal  
159, 1st Floor Okhla Industrial Estate,  
Phase 3 Punj Corporate House  
New Delhi 110020.  
Fax +91 11 41709187  
umesh.k@ingrammicro.co.in

## Taiwan

Infineon Technologies Taiwan Ltd.  
Jeffrey Shen  
12F-1, No.3-2 Yuan Qu St., Nan Kang  
Software Park, Taipei  
Taiwan 115, R.O.C.  
Fax +886 226557505  
Jeffrey.Shen@infineon.com

Elecbiz Enterprises Co. Ltd.  
Roger Sheng  
Room C, 7F, No. 20,  
Min Chuan W. Rd.  
Taipei, Taiwan, R.O.C.  
Fax +886 225313192  
rogersheng@elecbiz.com.tw

Yuban & Co.  
Cheng Ray  
9F, No. 19-2, San Chong Road  
Nan-King, 115  
Taipei, Taiwan  
Fax +886 226550666  
ray-cheng@yuban.com.tw

## Japan

IFX Japan Adresse  
Gate City Osaki East Tower 21F  
1-11-2 Osaki,  
Shinagawa-ku, Tokyo,  
141-0032, Japan  
Phone +81 35745-7221  
Fax +81 35745-7413

### Terms and Conditions of Delivery

All our deliveries and services are exclusively subject to the "General Conditions for the Supply of Products and Services of the Electrical and Electronics Industry" recommended by the Zentralverband Elektrotechnik- und Elektroindustrie (ZVEI) e.V. – (Version January 2002), hereinafter referred to as "General Conditions of Supply". Conflicting or deviating terms and conditions of our customers are rejected, unless and to the extent we have given our explicit written consent. The General Conditions of Supply shall apply even where we have performed the delivery and service without expressly rejecting conflicting or deviating conditions of our customer.

### Minimum Order Value

Orders will only be handled in whole packing units and multiple of these. For order-values below 250 Euro we will charge our customers an additional handling charge of 40 Euro.

### Data in this Brochure and Product related Data

Specifically due to technological progress we have to reserve the right to change this brochure and/or product related date at any time.

The product data contained in this brochure is exclusively intended for technically trained customers and their staff. Our customers and their technical departments are required to evaluate the suitability of our products for the intended application and the completeness of the product data with respect to such application.

This brochure like the relevant product data sheet is describing the specifications of our products for which a warranty is granted. Any such warranty is granted exclusively pursuant to the above General Conditions of Supply. There will be no guarantee of any kind for the product, any of its characteristics and/or its specifications.

Customers that require product information in excess of the data given in this brochure or which concerns the specific application of our product, are asked to contact our closest sales office.

([www.infineon.com](http://www.infineon.com)) For those who are specifically interested we may provide application notes.

### Dangerous Substances and Applications

According to technical requirements our products may contain dangerous substances. For information on the types in question please contact our closest sales office. ([www.infineon.com](http://www.infineon.com))

Should our customer intend to use the product in aviation applications, in health or life endangering or life support applications, he is required to give us notification.

For any such applications we urgently recommend

- to perform joint Risk and Quality Assessments
- the conclusion of Quality Agreements
- to establish joint measures of an ongoing product survey,

and notify to our customers that we may make delivery depended on the realization/establishment of any such measures.

If and to the extent necessary or required by applicable law, our customers are required to forward equivalent notices to your customers.

### Lieferbedingungen

Für unsere Lieferungen und Leistungen gelten ausschließlich die „Allgemeinen Lieferbedingungen für Erzeugnisse und Leistungen der Elektroindustrie“ des Zentralverbandes Elektrotechnik- und Elektroindustrie (ZVEI) e.V. (Stand: Januar 2002), nachfolgend auch „die Allgemeinen Lieferbedingungen“ genannt. Entgegenstehende oder von den Allgemeinen Lieferbedingungen abweichende Bedingungen des Kunden erkennen wir nicht an, es sei denn, wir hätten ausdrücklich schriftlich ihrer Geltung zugestimmt. Die Allgemeinen Lieferbedingungen gelten auch dann, wenn wir in Kenntnis entgegenstehender oder von unseren Allgemeinen Lieferbedingungen abweichender Bedingungen des Kunden die Lieferung an den Kunden vorbehaltlos ausführen.

### Mindestbestellwert

Aufträge werden nur in ganzen Verpackungseinheiten und vielfachen davon abgewickelt. Für Aufträge mit einem Bestellwert unter 250 Euro berechnen wir unseren Kunden eine zusätzliche Bearbeitungsgebühr von 40 Euro.

### Katalog- und Produktdaten

Inhaltliche Änderungen des Katalogs, insbesondere der darin enthaltenen Produktdaten, bleiben – insbesondere infolge technologischer Fortentwicklungen – vorbehalten.

Die in diesem Katalog enthaltenen Produktdaten sind ausschließlich für technisch versierte Kunden und/oder Anwender bestimmt. Die Beurteilung der Eignung unserer Produkte für die Kundenanwendung sowie die Beurteilung der bereitgestellten Produktdaten für diese Anwendung obliegt dem Kunden bzw. den technischen Abteilungen des Kunden.

In diesem Katalog werden ebenso wie auf den einschlägigen Produktdatenblättern diejenigen Merkmale unserer Produkte beschrieben, für die wir eine liefer-

vertragliche Gewährleistung übernehmen. Eine solche Gewährleistung richtet sich ausschließlich nach Maßgabe der vorgenannten Allgemeinen Lieferbedingungen. Garantien jeglicher Art werden von uns für die in diesem Katalog aufgeführten Produkte und deren Eigenschaften keinesfalls übernommen.

Sollte der Kunde von uns Produktinformationen benötigen, die über den Inhalt dieses Katalogs oder des Produktdatenblatts hinausgehen und insbesondere eine spezifische Verwendung und den Einsatz unseres Produktes betreffen, sollte er sich mit dem für ihn zuständigen Vertriebsbüro ([www.infineon.com](http://www.infineon.com)) in Verbindung setzen. Für Interessenten halten wir auch Application Notes bereit.

### Gefahrenstoffe und gefährliche Anwendungen

Aufgrund der technischen Anforderungen könnten unsere Produkte gesundheitsgefährdende Substanzen enthalten. Bei Rückfragen zu den in den Produkten jeweils enthaltenen Substanzen sollte sich der Kunde ebenfalls mit dem für ihn jeweils zuständigen Vertriebsbüro ([www.infineon.com](http://www.infineon.com)) in Verbindung setzen.

Sollte der Kunde beabsichtigen, unsere Produkte in Anwendungen der Luftfahrt, in gesundheits- oder lebensgefährdenden oder lebenserhaltenden Anwendungsbereichen einzusetzen, bitten wir um Mitteilung.

Wir weisen darauf hin, dass wir für diese Fälle

- die gemeinsame Durchführung eines Risiko- und Qualitätsassessments
- den Abschluss von speziellen Qualitätssicherungsvereinbarungen
- die gemeinsame Einführung von Maßnahmen einer laufenden Produktbeobachtung

dringend empfehlen und gegebenenfalls die Belieferung von der Umsetzung solcher Maßnahmen abhängig machen.

Soweit erforderlich und/oder gesetzlich vorgeschrieben, hat der Kunde entsprechende Hinweise an dessen Abnehmer zu geben.





Infineon Technologies AG  
Max-Planck-Straße 5  
D-59581 Warstein  
Tel. +49 (0) 29 02 7 64-0  
Fax +49 (0) 29 02 7 64-12 56

[www.infineon.com](http://www.infineon.com)

# Mouser Electronics

Authorized Distributor

Click to View Pricing, Inventory, Delivery & Lifecycle Information:

## Infineon:

[BSM50GD120DLC](#) [BSM100GB170DLC](#) [BSM75GP60](#) [FP15R06KL4](#) [BSM10GP60](#) [BSM200GA120DN2S](#)  
[BSM400GA120DN2S](#) [FS400R12KF4](#) [BSM300GA170DN2S](#) [BSM50GD60DLC](#) [BYM300A170DN2](#) [FZ400R65KF1](#)  
[BSM100GP60](#) [BSM400GA170DLC](#) [BSM300GA120DN2](#) [FS300R16KF4](#) [BSM35GP120](#) [BSM150GB170DLC](#)  
[BSM15GP120](#) [BSM50GD120DN2G](#) [BSM300GA120DN2S](#) [BSM15GP60](#) [BSM30GD60DLC](#) [BSM20GD60DLC](#)  
[BSM15GD120DN2](#) [BSM150GB170DN2](#) [FD400R16KF4](#) [BSM35GD120DN2](#) [BSM100GD60DLC](#) [FS300R12KF4](#)  
[FF400R12KF4](#) [FZ1800R17KF6C-B2](#) [BSM20GP60](#) [BSM400GA120DN2](#) [BSM50GP60G](#) [BSM150GAR120DN2](#)  
[BSM150GD60DLC](#) [BSM75GD120DN2](#) [BSM300GB60DLC](#) [BSM200GA120DN2](#) [BSM10GD120DN2E3224](#)  
[BSM15GD120DLCE3224](#) [BSM200GAR120DN2](#) [BSM100GD120DN2](#) [BSM25GP120](#) [BSM50GP60](#)  
[BSM200GAL120DN2](#) [BSM25GD120DN2](#) [BSM100GB120DLCK](#) [BSM50GB120DLC](#) [BSM10GP120](#) [BSM50GP120](#)  
[FS30R06XL4](#) [FZ1800R17KF6C\\_B2](#) [FP15R06YE3\\_B4](#)