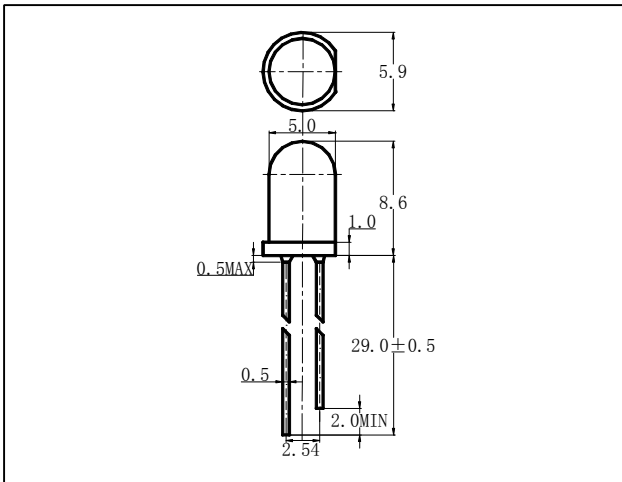


Package Dimensions Unit : mm



CHIP	
Material	InGaN
Color	Purple
Colloid	
Material	Epoxy
Color	Water Clear

Absolute Maximum Ratings) Ta=25℃)

Parameter)	Symbol)	Value	Unit
Max Power Dissipation	P_M	80	mW
Max Continuous Forward Current	I_{FM}	30	mA
Max Reverse Voltage	V_{RM}	5	V
Peak Forward Current	I_{FP}	75	mA
Lead Soldering Temperature/Time	T_{SOL}	240/≤3S	℃/S
Operating Temperature Range	T_{OPR}	-25~+85	℃
Storage Temperature Range	T_{STR}	-30~+100	℃

Initial Electrical Optical Characteristics

Parameter	Symbol	Min.	Typ.	Max.	Unit	Condition
Luminous Intensity	I_v	80	120	150	mcd	I_F=20-30mA
Viewing Angle	2θ _{1/2}	/	30	/	deg	I_F=20-30mA
Peak Wave Length	λ_p	/	/	/	nm	I_F=20-30mA
Dominant Wave Length	λ_d	390	392	395	nm	I_F=20-30mA
Spectral Width at half height	Δλ	/	/	/	nm	I_F=20-30mA
Forward Voltage	V_F	3. 2	3. 3	3. 4	V	I_F=20-30mA
Reverse Current	I_R	/	/	≤30	μ A	V_R=5V