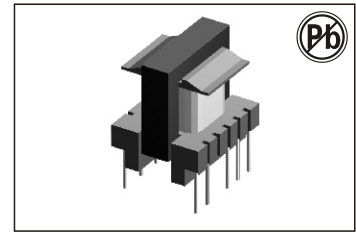


# POWER FERRITE TRANSFORMERS

## 6-12W E16 - 2 OUTPUT

### FLYBACK TRANSFORMERS

#### T 74010 SERIES



#### FEATURES:

- Primary / Secondary Insulation  $\geq$  4000V
- Primary Auxiliary Insulation  $\geq$  1500V
- Creepage distances Primary / secondary  $\geq$  6mm

#### OPTIONS:

- Bulk packaging is standard
- Custom design available

#### COMMON APPLICATIONS:

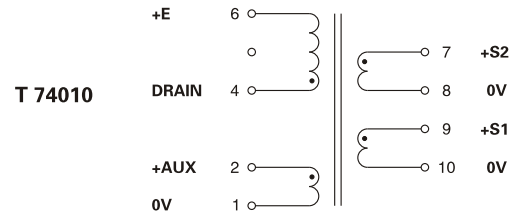
- AC-DC converters
- DC-DC converters
- Switch Power supplies
- SMPS: Flyback, Forward and Push-pull
- SMPS: Half Bridge and Full Bridge

### ELECTRICAL CHARACTERISTICS

| Control IC Manufacturer | Control IC P/N | Input voltage  | Power | Frequency |
|-------------------------|----------------|----------------|-------|-----------|
| Fairchild               | KA5H0165RN     | 185 - 265 Vrms | 10 w  | 100 kHz   |
| Fairchild               | KA5L0165R      | 85 - 265 Vrms  | 7 w   | 50 kHz    |
| Infineon                | TDA16831       | 92 - 265 Vrms  | 7.5 w | 100 kHz   |
| Infineon                | TDA16831       | 185 - 265 Vrms | 10 w  | 100 kHz   |
| Motorola                | MC33369        | 85 - 265 Vrms  | 8 w   | 100 kHz   |
| Motorola                | MC33369        | 185 - 265 Vrms | 10 w  | 100 kHz   |
| Power Integrations      | TNY267         | 185 - 265 Vrms | 12 w  | 132 kHz   |
| Power Integrations      | TOP242P        | 85 - 265 Vrms  | 10 w  | 132 kHz   |
| Power Integrations      | TOP242P        | 185 - 265 Vrms | 12 w  | 132 kHz   |
| Power Integrations      | TOP242P        | 85 - 265 Vrms  | 10 w  | 132 kHz   |
| ST Microelectronics     | VIPer20        | 85 - 265 Vrms  | 8 w   | 70 kHz    |
| ST Microelectronics     | VIPer20        | 185 - 265 Vrms | 10 w  | 70 kHz    |

### TECHNICAL INFORMATION

- Ambient temperature  $<$  50°C
- Construction conforms to CEI950, CEI335, CEI61558 for reinforced insulation
- Exclusively uses UL94-VO listed materials

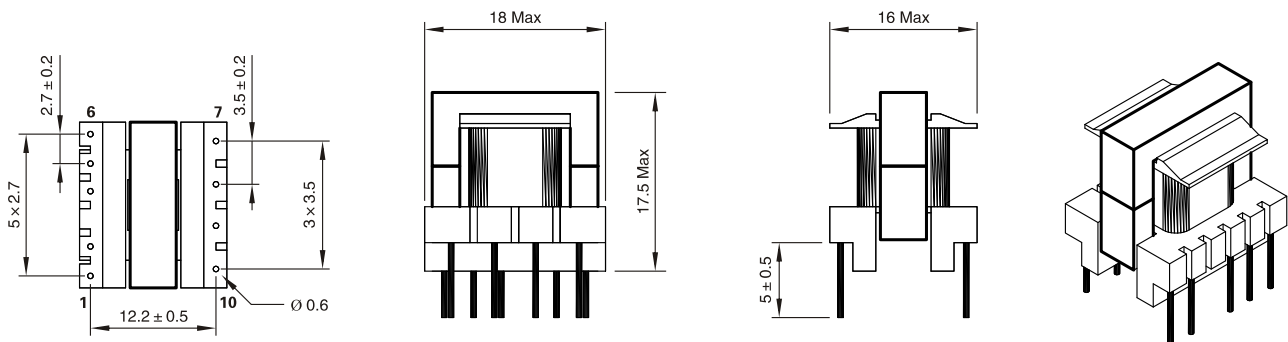


| SIZE E16 - 2 OUTPUTS : 5 & 12V - FLYBACK TRANSFORMER |                  |          |      |       |              |              |
|--|------------------|----------|------|-------|--------------|--------------|
| Part Number  | Output Power max | Windings |      |       |              |              |
|  |                  |          | Pins | Turns | Voltage      | Current max  |
| T 74010  | 12 w             | Pri      | 4-6  | 120   | 60-125 (VOR) | 0.55 Apeak   |
|  |                  | Aux      | 2-1  | 14    | 7-14 Vdc     | 0.1 Adc      |
|  |                  | S1       | 9-10 | 7     | 3.3-7 Vdc    | 2 Adc        |
|  |                  | S2       | 7-8  | 17    | 8-17 Vdc     | 1 Adc        |
|  |                  |          |      |       |              | 1660 $\mu$ H |

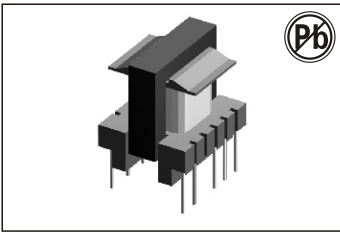
Note: PIN 3 Removed, PCB Drilling Diameter = 1.1mm

Note: Regulation with auxiliary winding

### PHYSICAL CHARACTERISTICS



All dimensions in mm



# POWER FERRITE TRANSFORMERS

## 6-12W E16 - 2 OUTPUT FLYBACK TRANSFORMERS

### T 74014 SERIES

#### FEATURES:

- Primary / Secondary Insulation  $\geq$  4000V
- Primary Auxiliary Insulation  $\geq$  1500V
- Creepage distances Primary / secondary  $\geq$  6mm

#### OPTIONS:

- Bulk packaging is standard
- Custom design available

#### COMMON APPLICATIONS:

- AC-DC converters
- DC-DC converters
- Switch Power supplies
- SMPS: Flyback, Forward and Push-pull
- SMPS: Half Bridge and Full Bridge

### ELECTRICAL CHARACTERISTICS

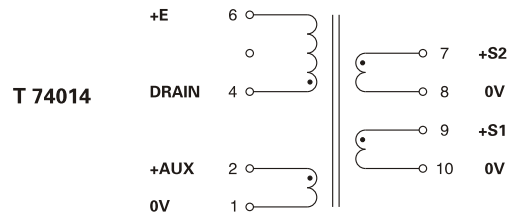
| Control IC Manufacturer | Control IC P/N | Input voltage  | Power | Frequency |
|-------------------------|----------------|----------------|-------|-----------|
| Power Integrations      | TNY266         | 185 – 265 Vrms | 12 w  | 132 kHz   |
| Power Integrations      | TNY266         | 85 – 265 Vrms  | 8 w   | 132 kHz   |
| Power Integrations      | TNY242P        | 185 – 265 Vrms | 12 w  | 132 kHz   |
| Power Integrations      | TNY242P        | 85 – 265 Vrms  | 8 w   | 132 kHz   |

### TECHNICAL INFORMATION

- Ambient temperature  $<$  50°C
- Construction conforms to CEI950, CEI335, CEI61558 for reinforced insulation
- Exclusively uses UL94-VO listed materials
- Typical outputs : + 24V 0.5A with S1 – S2 in parallel
- + 48V 0.25A with S1 – S2 in series (8-9 connected)
- +15V / -15V 0.4A with pins 8-9 connected to 0V

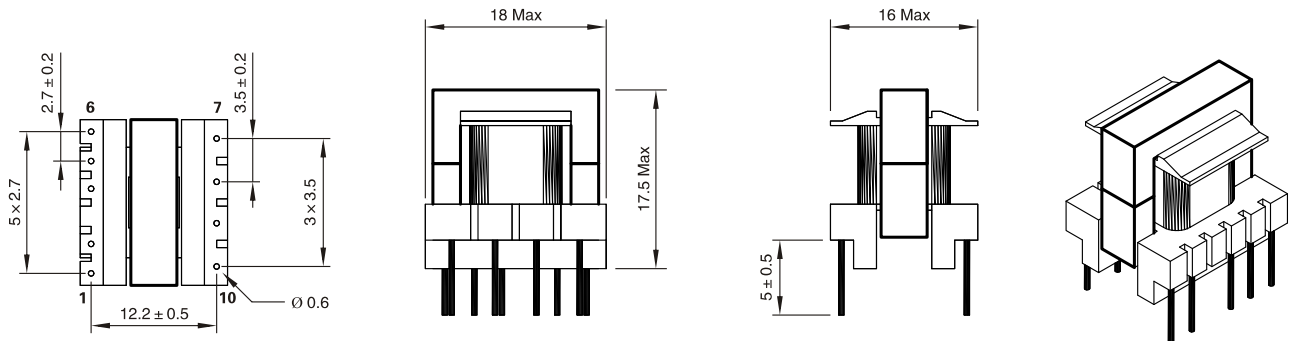
| SIZE E16 - 2 OUTPUTS : 5 & 12V - FLYBACK TRANSFORMER |                  |          |      |       |              |             |                     |
|--|------------------|----------|------|-------|--------------|-------------|---------------------|
| Part Number  | Output Power max | Windings |      |       |              |             |                     |
|  |                  |          | Pins | Turns | Voltage      | Current max | Inductance (+/-10%) |
| T 74014  | 12 w             | Pri      | 4-6  | 120   | 70-140 (VOR) | 0.5 Apeak   |                     |
|  |                  | Aux      | 2-1  | 14    | 9-18 Vdc     | 0.2 Adc     |                     |
|  |                  | S1       | 9-10 | 27    | 15-30 Vdc    | 0.4 Adc     |                     |
|  |                  | S2       | 7-8  | 27    | 15-30 Vdc    | 0.4 Adc     |                     |

Note: Regulation with auxiliary winding



Note: PIN 3 Removed, PCB Drilling Diameter = 1.1mm

### PHYSICAL CHARACTERISTICS



All dimensions in mm