

172

AC Fan Series

x150x51mm

CE RoHS

GENERAL SPECIFICATIONS

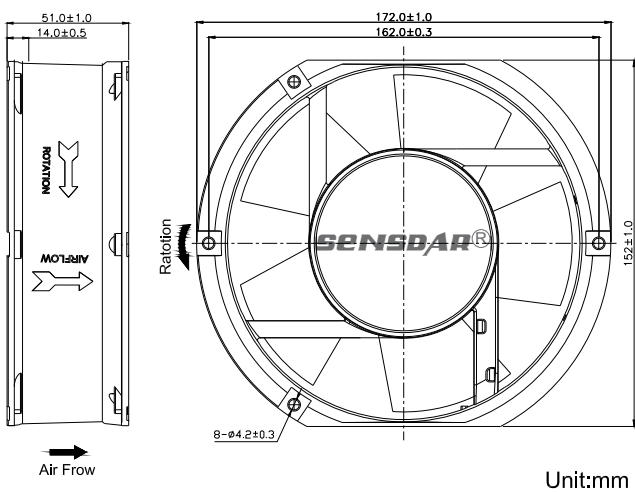
Bearing Type: Sleeve Bearing & Ball Bearing
 Material: Impeller: Plastic ; Frame: Aluminum Alloy
 Lead Wire: UL Type
 Operation Temperature: -10°C~65°C, 35%~85%RH
 Storage Temperature: -40°C~70°C, 35%~85%RH



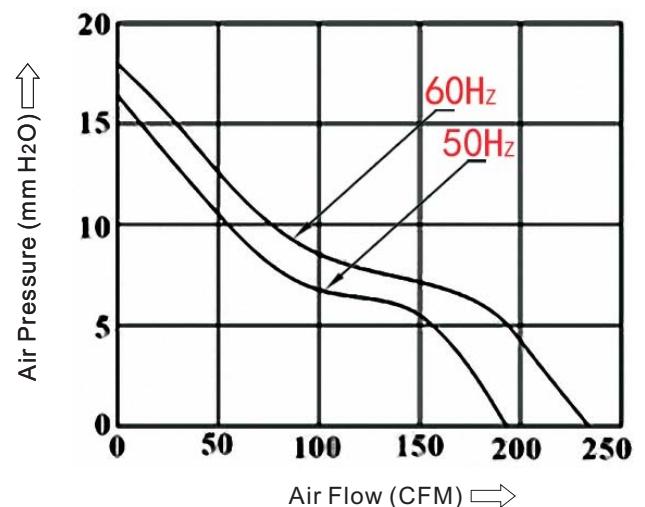
SPECIFICATIONS

| Model | Bearing System | | Rated Voltage | Frequency | Rated Current | Rated Input Power | Rated Speed | Air Flow | Air Pressure | Noise Level | Weight |
|-----------|----------------|--------|---------------|-----------|---------------|-------------------|-------------|----------|--------------------|-------------|--------|
| | Ball | Sleeve | VAC | Hz | A | Watt | RPM | CFM | mmH ₂ O | dBA | g |
| SA1751L1S | | ● | 110-125 | 50/60 | 0.15 | 21/20 | 2100/2300 | 137/155 | 3.0/3.9 | 39/45 | 880 |
| SA1751M1S | | ● | 110-125 | 50/60 | 0.30 | 34/32 | 2300/2500 | 155/170 | 7.5/9.07 | 45/49 | |
| SA1751M1B | ● | | 110-125 | 50/60 | 0.30 | 34/32 | 2300/2500 | 155/170 | 7.5/9.07 | 45/49 | |
| SA1751L2S | | ● | 200-240 | 50/60 | 0.12 | 21/20 | 2100/2300 | 137/155 | 3.0/3.9 | 39/45 | |
| SA1751M2S | | ● | 200-240 | 50/60 | 0.18 | 34/32 | 2300/2500 | 155/170 | 7.5/9.07 | 45/49 | |
| SA1751M2B | ● | | 200-240 | 50/60 | 0.18 | 34/32 | 2300/2500 | 155/170 | 7.5/9.07 | 45/49 | |
| SA1751M3S | | ● | 380 | 50/60 | 0.13 | 38/36 | 2600/3000 | 170/198 | 11.5/14 | 49/56 | |
| SA1751M3B | ● | | 380 | 50/60 | 0.13 | 38/36 | 2600/3000 | 170/198 | 11.5/14 | 49/56 | |

DIMENSIONS DRAWING



P&Q CURVE (AT RATED VOLTAGE)



Note:

- *All readings are typical values at rated voltage.
- *Specifications are subject to change without prior notice.
- *"X" in model list can be B and S, meaning Dual Ball Bearing, Sleeve Bearing.