

Signal Relay Series 信号继电器系列--QY23

FEATURES特点

- 1A Amps super miniature relay
1A安培超小型继电器
- 1kV dielectric strength (between coil and contacts)
线圈与触点间介质耐压1000V
- 1 Form Z configurations
具有一组转换触点形式
- Outline dimensions (12.3X7.4X10.1) mm.
外形尺寸 (12.3X7.4X10.1) mm。



CONTACT PARAMETERS触点参数

Contact Form触点形式	QY23-1Z
Rating Load (Resistive) 额定负载 (阻性)	1A 125VAC/30VDC
Max. Switching Current 最大切换电流	1A
Max. Switching Voltage 最大切换电压	125VAC/30VDC
Max. Switching Power 最大切换功率	125VA/30VDC

CHARACTERISTICS性能参数

Contact Materials触点材料	Ag Alloy银合金	
Contact Resistance接触电阻	100mΩ Max.	
Operate Time吸合时间	5msec.Max.	
Release Time释放时间	5msec.Max.	
Insulation Resistance绝缘电阻	100MΩ Min.(DC500V)	
Initial Dielectric Strength介质耐压	Between open contacts: 触点与触点间:	AC500V,50/60Hz 1Min.
	Between contacts and coil: 触点与线圈间:	AC1000V,50/60Hz 1Min.
Vibration Resistance抗振动	Damage limits: 耐久:	10~55Hz Double Amplitude双振幅1.5mm
	Malfunction: 误动作:	10~55Hz Double Amplitude双振幅1.5mm
Shock Resistance抗冲击	Damage limits: 耐久:	50G Min.
	Malfunction: 误动作:	10G Min.
Life寿命	Mechanical Life (10800 per hour) 机械寿命 (每小时10800次)	1×10 ⁷
	Electrical Life (1800 per hour) 电气寿命 (每小时1800次)	1×10 ⁵
Ambient Temperature环境温度	-30℃~+85℃ (No condensation) (不冷凝)	
Unit Weight单位重量	约Approx.2.1g	

COIL RATINGS (at20°C) 线圈参数 (在20°C)

Coil Nominal Voltage 额定电压 (VDC)	Nominal Current 额定电流 ±10(mA)	Coil Resistance 线圈电阻 ±10% (Ω)	Max. Continuous Voltage 最大连续外加电压	Pick-Up Voltage 吸合电压 (Max)	Drop-Out Voltage 释放电压 (Min)	Rated power 额定功率
3	50.00	60	Coil Nominal Voltage 150% 额定电压的 150%	Coil Nominal Voltage 75% 额定电压的 75%	Coil Nominal Voltage 5% 额定电压的 5%	0.15 W
5	30.12	166				
6	25.00	240				
9	16.67	540				
12	12.50	960				
24	6.25	3,840				
3	66.67	45	Coil Nominal Voltage 150% 额定电压的 150%	Coil Nominal Voltage 75% 额定电压的 75%	Coil Nominal Voltage 5% 额定电压的 5%	0.20 W
5	40.00	125				
6	33.33	180				
9	22.22	405				
12	16.67	720				
24	8.33	2,880				

ORDERING INFORMATION 订货标记

QY23-012-Z-S-D-XXX 1 2 3 4 5 6	
1. Model Number 基本型号: QY23	4. Enclosure: S-General Type, K-Sealed Type 封装形式: S-标准型, K-密封型
2. Coil Voltage 线圈规格 (VDC): 03,05,09,12,24	5. Coil Power: Nil- Sensitive Type (0.15W), D-Standard Type (0.2W) 线圈功率: 无-灵敏型 (0.15W), D-标准型 (0.2W)
3. Contact Form: Z-1 Form C 触点形式: Z-1组转换	6. Features: XXX- Special Requirements, Nil- Standard Type 特性号: XXX-特殊要求, 无-标准型

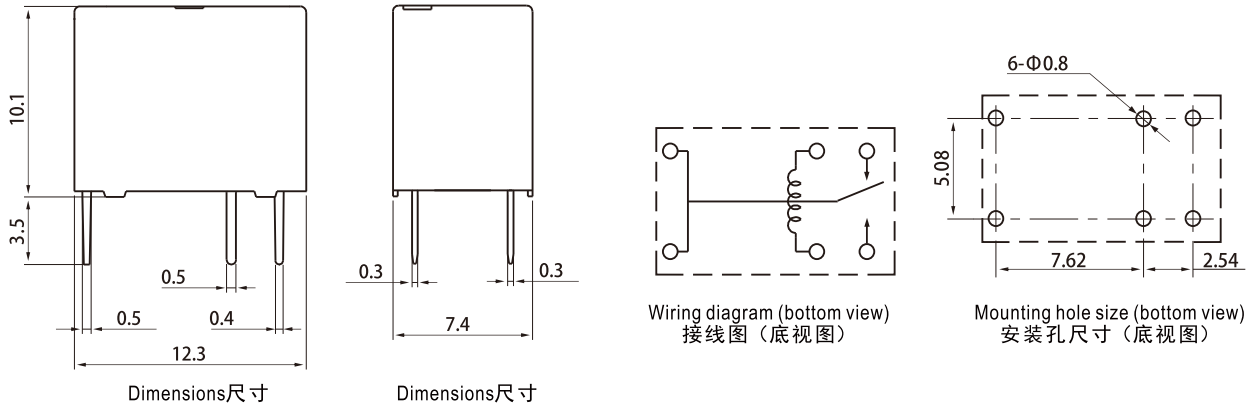
TYPICAL USE 典型用途

- Automatic control, Communication equipment, Modem, Computer peripherals, Etc.
- 自动控制, 通讯设备, 调制解调器、电脑周边设备等。

SAFETY STANDARD 安规认证

Approval 认证类别	CQC	UL/C_UL
Authentication Load 认证负载	1A 125VAC	1A 125VAC 1A 30VDC

OUTLINE DIMENSIONS (UNIT:mm)外形尺寸 (单位: mm)



Undimensioned tolerance: <1mm: ±0.2mm 1~5mm: ±0.3mm >5mm: ±0.4mm
 未标注尺寸公差: <1mm: ±0.2mm 1~5mm: ±0.3mm >5mm: ±0.4mm

Note: 1. The size of the lead foot is pre welding dimension. 注: 1、引出脚尺寸为预焊前尺寸
 2. installation hole size tolerance: +0.1mm 2、安装孔尺寸公差: ±0.1mm

PERFORMANCE CHART性能曲线图

